

P.C.B LAYOUT
TOLERANCE:±0.05

Ordering Information:

A3963WV-XP - ** - ** - ** - **
1 2 3 4 5

1.Part NO.

2.Material:

(Blank): Nylon 66,UL94V-0(White)

GWT: Nylon 66,UL94V-0(Beige),IEC 60335-1,5th Edition
Glow Wire Capable.

3.Color:

(Blank): see section 2 Material

BK: Black BL: Blue PK:Pink

RD: Red OR:Orange GN:Green

YL:Yellow GY:Gray BR:Brown

VJ:Violet IV:Ivory LY:Lemon yellow

LE:Light Blue VY:Vivid yellow

4.Finish:

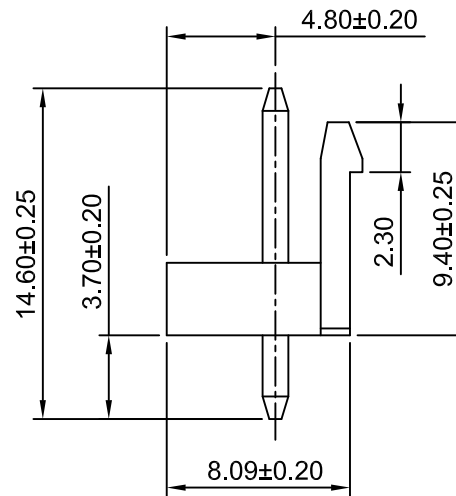
(Blank): Tin over Nickel

G: Gold over Nickel

5.Void position:

(Blank): Full positions

N*.*.*: Void position(select Arbitrary numbers)



SPECIFICATIONS:

Current Rating: 10A AC,DC(AWG #16)

Voltage Rating: 250V AC,DC

Temperature Range: -40°C ~ +105°C

Contact Resistance: 10mΩ Max

Insulation Resistance: 1000MΩ Min

Withstanding Voltage: 1500V AC/minute

Pin Material: Brass

Ordering Information & Dimensions

| Part NO. | Dimensions(mm) | |
|-------------|----------------|-------|
| | A | B |
| A3963WV-2P | 3.96 | 7.92 |
| A3963WV-3P | 7.92 | 11.88 |
| A3963WV-4P | 11.88 | 15.84 |
| A3963WV-5P | 15.84 | 19.80 |
| A3963WV-6P | 19.80 | 23.76 |
| A3963WV-7P | 23.76 | 27.72 |
| A3963WV-8P | 27.72 | 31.68 |
| A3963WV-9P | 31.68 | 35.64 |
| A3963WV-10P | 35.64 | 39.60 |
| A3963WV-11P | 39.60 | 43.56 |
| A3963WV-12P | 43.56 | 47.52 |
| A3963WV-13P | 47.52 | 51.48 |
| A3963WV-14P | 51.48 | 55.44 |
| A3963WV-15P | 55.44 | 59.40 |

CJTconn

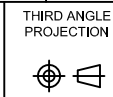
CHANGJIANG CONNECTORS CO.,LTD.

| REV | DESCRIPTION | DATE |
|-----|------------------------|------------|
| A4 | CHANGE THE DRAWING | 2022.08.09 |
| A3 | ADD THE SIZE | 2020.09.04 |
| A2 | CHANGE THE DRAWING | 2019.06.28 |
| A1 | CHANGE THE INFORMATION | 2018.12.25 |
| A0 | NEW RELEASE | 2005.05.10 |

| Unit | Scale | Sheet |
|------|-------|--------|
| mm | 3:1 | 1 of 2 |

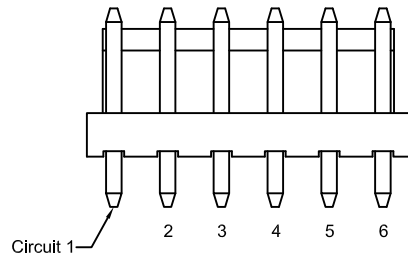
| TITLE | | |
|--------------------------------|--|-----|
| 3.96mm PITCH VERTICAL WAFER | | |
| DRAWING NO. | | REV |
| A3963WV-XP | | A4 |

| General Tolerances | | |
|--------------------|--|--|
| x.xx±0.25 | | |
| x.xxx±0.20 | | |
| x.xxxx±0.15 | | |
| ANGLES ±1° | | |



| Style | Circuits | O=With circuit (post) X=Without circuit (post) | | | | | | | | | | | | | | |
|------------|----------|--|----|----|----|----|----|----|----|----|-----|-----|-----|-----|-----|-----|
| | | P1 | P2 | P3 | P4 | P5 | P6 | P7 | P8 | P9 | P10 | P11 | P12 | P13 | P14 | P15 |
| N1 | 4P | X | O | O | O | | | | | | | | | | | |
| N1.3 | 4P | X | O | X | O | | | | | | | | | | | |
| N2 | 4P | O | X | O | O | | | | | | | | | | | |
| N2.3 | 4P | O | X | X | O | | | | | | | | | | | |
| N2.4 | 4P | O | X | O | X | | | | | | | | | | | |
| N3 | 4P | O | O | X | O | | | | | | | | | | | |
| N2 | 5P | O | X | O | O | O | | | | | | | | | | |
| N2.3.4 | 5P | O | X | X | X | O | | | | | | | | | | |
| N2.3.5 | 5P | O | X | X | O | X | | | | | | | | | | |
| N3 | 5P | O | O | X | O | O | | | | | | | | | | |
| N3.4 | 5P | O | O | X | X | O | | | | | | | | | | |
| N4 | 5P | O | O | O | X | O | | | | | | | | | | |
| N1.3.4.5 | 6P | X | O | X | X | X | O | | | | | | | | | |
| N1.3.5 | 6P | X | O | X | O | X | O | | | | | | | | | |
| N2 | 6P | O | X | O | O | O | O | | | | | | | | | |
| N2.4 | 6P | O | X | O | X | O | O | | | | | | | | | |
| N2.3.5 | 6P | O | X | X | O | X | O | | | | | | | | | |
| N2.4.5 | 6P | O | X | O | X | X | O | | | | | | | | | |
| N2.4.6 | 6P | O | X | O | X | O | X | | | | | | | | | |
| N3.4 | 6P | O | O | X | X | O | O | | | | | | | | | |
| N3.5 | 6P | O | O | X | O | X | O | | | | | | | | | |
| N5 | 6P | O | O | O | O | X | O | | | | | | | | | |
| N2 | 7P | O | X | O | O | O | O | O | | | | | | | | |
| N2.3.5.6 | 7P | O | X | X | O | X | X | O | | | | | | | | |
| N2.5 | 7P | O | X | O | O | X | O | O | | | | | | | | |
| N2.6 | 7P | O | X | O | O | O | X | O | | | | | | | | |
| N3.4.6 | 7P | O | O | X | X | O | X | O | | | | | | | | |
| N6 | 7P | O | O | O | O | O | X | O | | | | | | | | |
| N1.3.5.7 | 8P | X | O | X | O | X | O | X | O | | | | | | | |
| N2 | 8P | O | X | O | O | O | O | O | O | | | | | | | |
| N2.3.5.7 | 8P | O | X | X | O | X | O | X | O | | | | | | | |
| N2.3.4.5.7 | 8P | O | X | X | X | X | O | X | O | | | | | | | |
| N2.4 | 8P | O | X | O | X | O | O | O | O | | | | | | | |
| N2.4.5 | 8P | O | X | O | X | X | O | O | O | | | | | | | |

| Style | Circuits | O=With circuit (post) X=Without circuit (post) | | | | | | | | | | | | | | |
|--------------|----------|--|----|----|----|----|----|----|----|----|-----|-----|-----|-----|-----|-----|
| | | P1 | P2 | P3 | P4 | P5 | P6 | P7 | P8 | P9 | P10 | P11 | P12 | P13 | P14 | P15 |
| N2.4.5.6 | 8P | O | X | O | X | X | X | O | O | | | | | | | |
| N2.4.5.7 | 8P | O | X | O | X | X | O | X | O | | | | | | | |
| N2.4.6 | 8P | O | X | O | X | O | X | O | O | | | | | | | |
| N2.4.6.7 | 8P | O | X | O | X | O | X | X | O | | | | | | | |
| N2.4.6.8 | 8P | O | X | O | X | O | X | O | X | | | | | | | |
| N2.4.7 | 8P | O | X | O | X | O | O | X | O | | | | | | | |
| N2.5 | 8P | O | X | O | O | X | O | O | O | | | | | | | |
| N2.5.7 | 8P | O | X | O | O | X | O | X | O | | | | | | | |
| N3.4.5.7 | 8P | O | O | X | X | X | O | X | O | | | | | | | |
| N3.5.7 | 8P | O | O | X | O | X | O | X | O | | | | | | | |
| N3.6 | 8P | O | O | X | O | O | X | O | O | | | | | | | |
| N3.6.7 | 8P | O | O | X | O | O | X | X | O | | | | | | | |
| N3.7 | 8P | O | O | X | O | O | O | X | O | | | | | | | |
| N5.7 | 8P | O | O | O | O | X | O | X | O | | | | | | | |
| N6 | 8P | O | O | O | O | O | X | O | O | | | | | | | |
| N7 | 8P | O | O | O | O | O | O | X | O | | | | | | | |
| N2.4.6 | 9P | O | X | O | X | O | X | O | O | O | | | | | | |
| N2.6.8 | 9P | O | X | O | O | O | X | O | X | O | | | | | | |
| N2.4.6.7.8 | 9P | O | X | O | X | O | X | X | X | O | | | | | | |
| N4.6.8 | 9P | O | O | O | X | O | X | O | X | O | | | | | | |
| N8 | 9P | O | O | O | O | O | O | O | X | O | | | | | | |
| N2.3.5.6.8.9 | 10P | O | X | X | O | X | X | O | X | X | O | | | | | |
| N2.4.6.9 | 10P | O | X | O | X | O | X | O | O | X | O | | | | | |
| N3.5.7.9 | 10P | O | O | X | O | X | O | X | O | X | O | | | | | |
| N5 | 10P | O | O | O | O | X | O | O | O | O | O | | | | | |
| N9 | 10P | O | O | O | O | O | O | O | O | X | O | | | | | |
| N3.6.8.10 | 11P | O | O | X | O | O | X | O | X | O | X | O | | | | |
| N4.6.8.10 | 11P | O | O | O | X | O | X | O | X | O | X | O | | | | |
| N10 | 11P | O | O | O | O | O | O | O | O | O | X | O | | | | |
| N11 | 12P | O | O | O | O | O | O | O | O | O | O | X | O | | | |
| N12 | 13P | O | O | O | O | O | O | O | O | O | O | O | X | O | | |
| N13 | 14P | O | O | O | O | O | O | O | O | O | O | O | O | X | O | |
| N14 | 15P | O | O | O | O | O | O | O | O | O | O | O | O | X | O | |



| | | |
|-----|------------------------|------------|
| A4 | CHANGE THE DRAWING | 2022.08.09 |
| A3 | ADD THE SIZE | 2020.09.04 |
| A2 | CHANGE THE DRAWING | 2019.06.28 |
| A1 | CHANGE THE INFORMATION | 2018.12.25 |
| A0 | NEW RELEASE | 2005.05.10 |
| REV | DESCRIPTION | DATE |

CJTconn CHANGJIANG CONNECTORS CO.,LTD.

| | | | |
|---|-------------|----------|--------------------------------|
| Unit | Scale | Sheet | TITLE |
| mm | 2:1 | 2 of 2 | 3.96mm PITCH VERTICAL WAFER |
| DRAWN | CHK'D | APPR | |
| Haisen Li | Diankui Wan | Jack Yin | DRAWING NO. |
| General Tolerances | | | THIRD ANGLE PROJECTION |
| x.x±0.25 x.xx±0.20 x.xxx±0.15 ANGLES ±1° | | | |
| | | | REV A4 |

A3963WV-XP