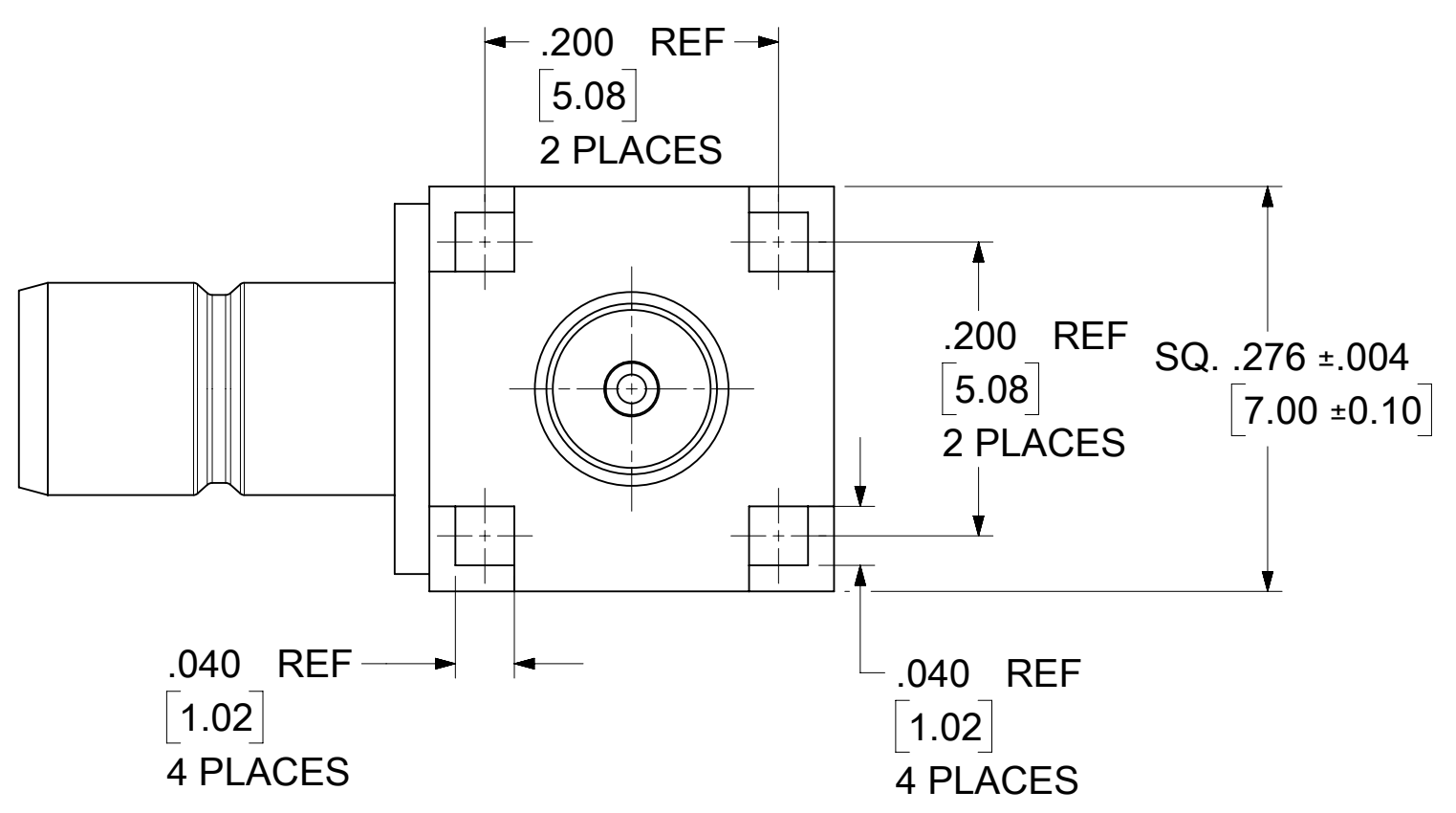
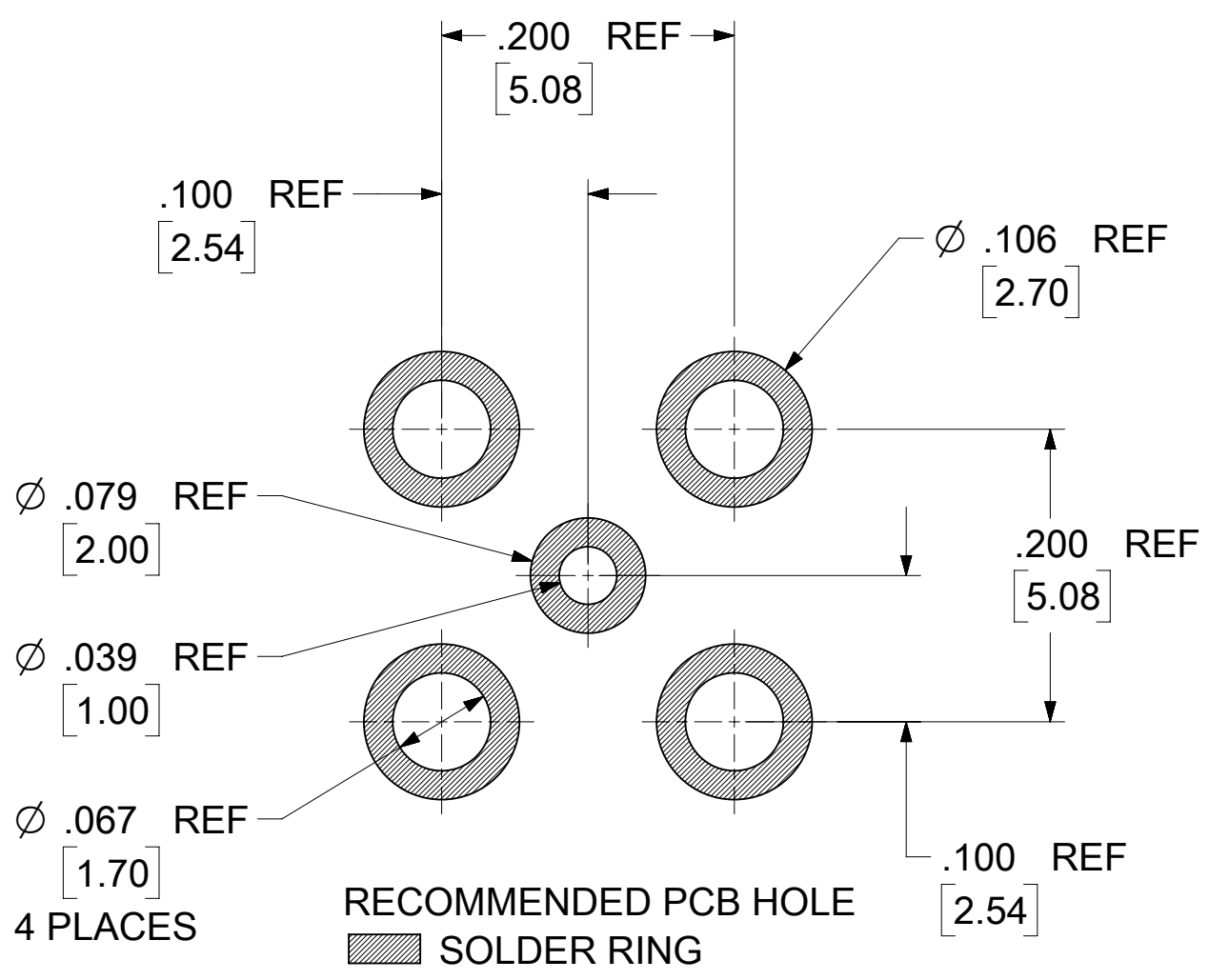
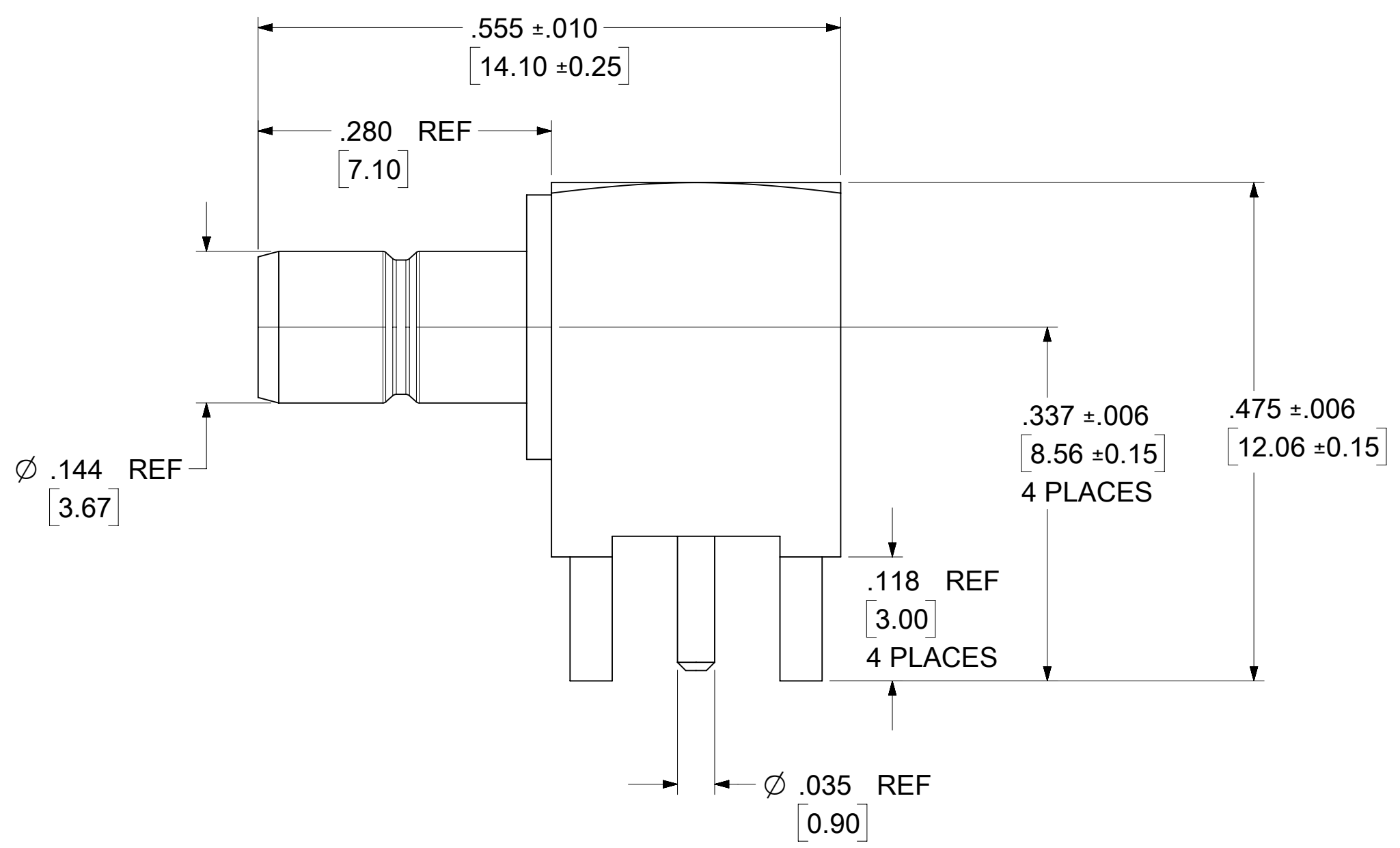
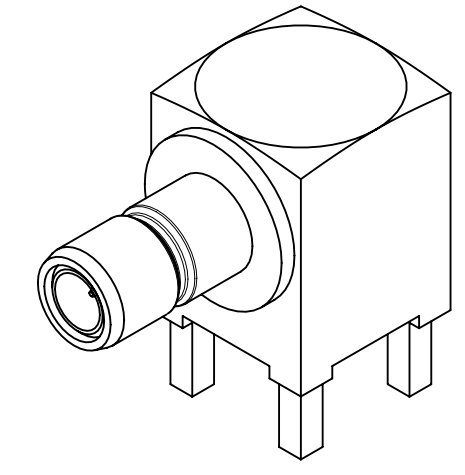


MATERIALS AND FINISHES:

BODY, HOUSING: BRASS
PLATED GOLD

CENTER CONTACT: BRASS
PLATED GOLD

INSULATOR: TEFLON



73396-0580	SMALL TRAY (20 PCS PER TRAY)	895420200
73404-2280	73100-0103, ONE PER BAG	895420089
73100-0103	TRAY (80 PCS PER TRAY)	895420040
PART NO.	PACKAGING	PACKING SPEC

RF LEAKAGE AND VSWR ARE NOT APPLICABLE IN PS-73598-0099

PS-73598-0099	PRODUCT SPECIFICATION
SPECIFICATION	DESCRIPTION

FUNCTIONAL SYMBOLS	THIS DRAWING CONTAINS INFORMATION THAT IS PROPRIETARY TO MOLEX ELECTRONIC TECHNOLOGIES, LLC AND SHOULD NOT BE USED WITHOUT WRITTEN PERMISSION			
	DIMENSION UNITS	SCALE		
$\frac{F}{A} = 0$ $\frac{F}{C} = 0$ $\frac{F}{P} = 0$	IN/MM	NTS	CURRENT REV DESC: ADD PACKING SPEC PER EWR15423-A	
DIVISIONAL SYMBOLS	GENERAL TOLERANCES (UNLESS SPECIFIED)		EC NO: 720546	
	ANGULAR TOL ± 2.0°		DRWN: CWEI02	2022/09/07
4 PLACES ±			CHK'D: YCHENG	2022/09/08
3 PLACES ±			APPR: YCHENG	2022/09/08
2 PLACES ± 0.25			INITIAL REVISION:	
1 PLACE ±			DRWN: RFC_PLMIMP	2017/10/31
0 PLACES ±			APPR: JWIENER	2007/05/01
DRAFT WHERE APPLICABLE MUST REMAIN WITHIN DIMENSIONS		THIRD ANGLE PROJECTION	DRAWING	SERIES
			C-SIZE	73100
DOCUMENT STATUS		P1	RELEASE DATE	2022/09/08 07:11:07
DOCUMENT NUMBER		CUSTOMER		SHEET NUMBER
SD-73100-0103		GENERAL MARKET		1 OF 1