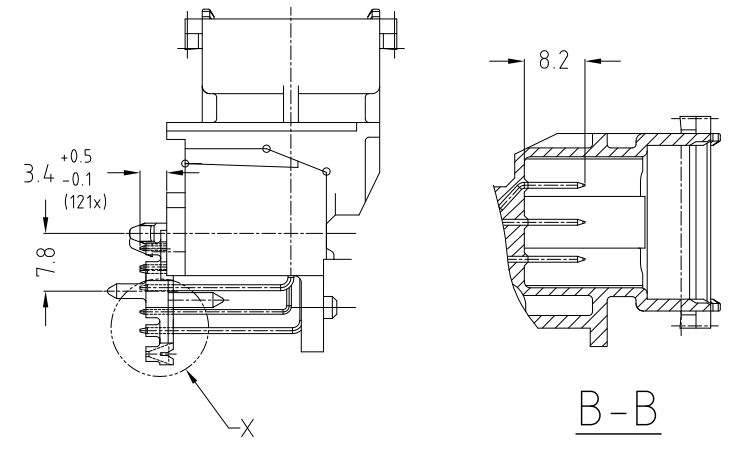
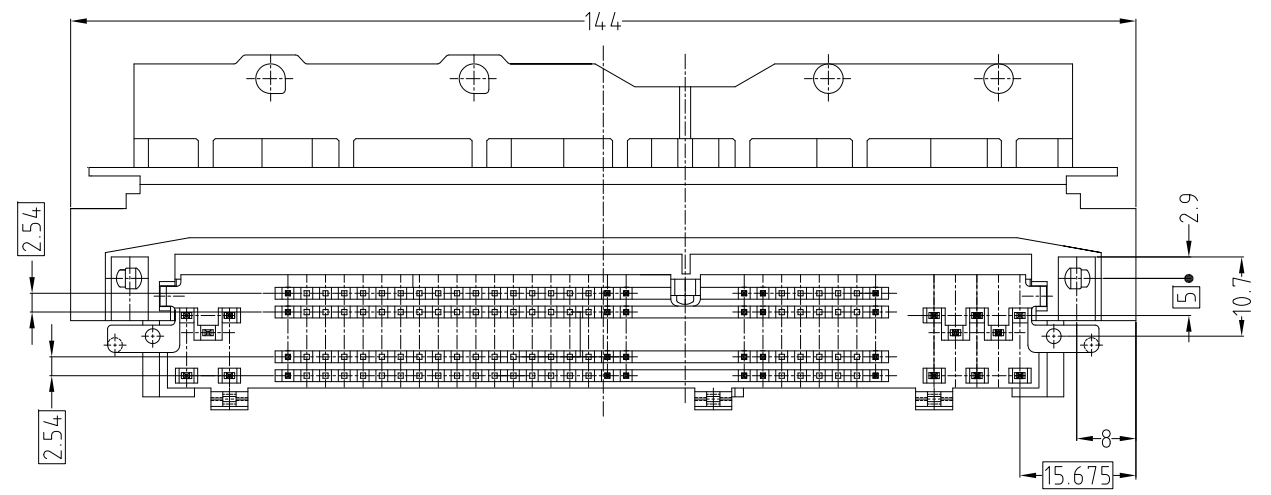
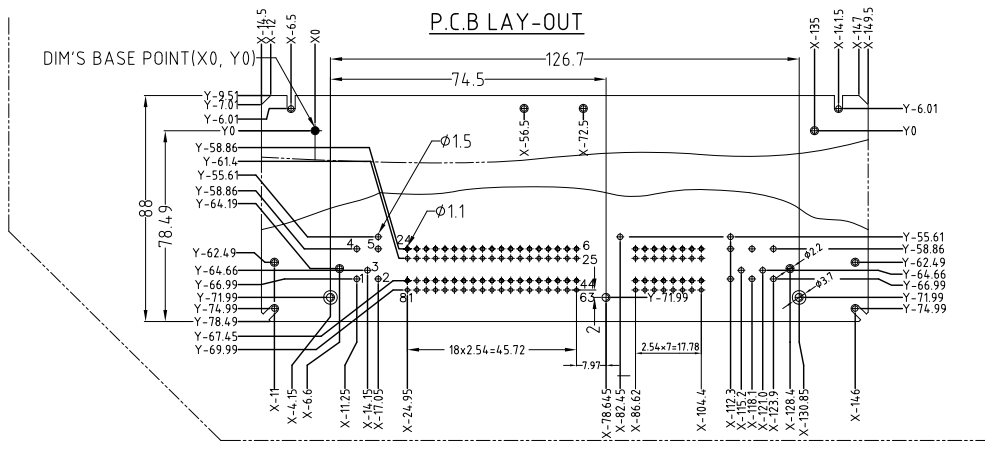
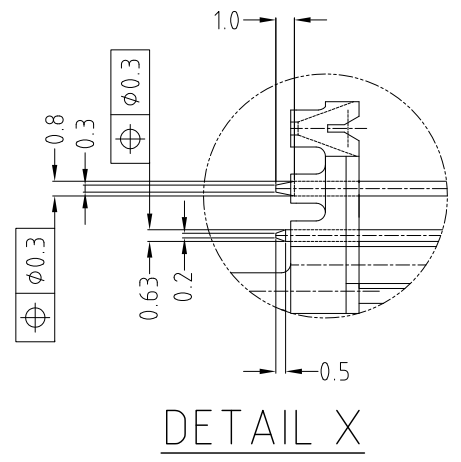
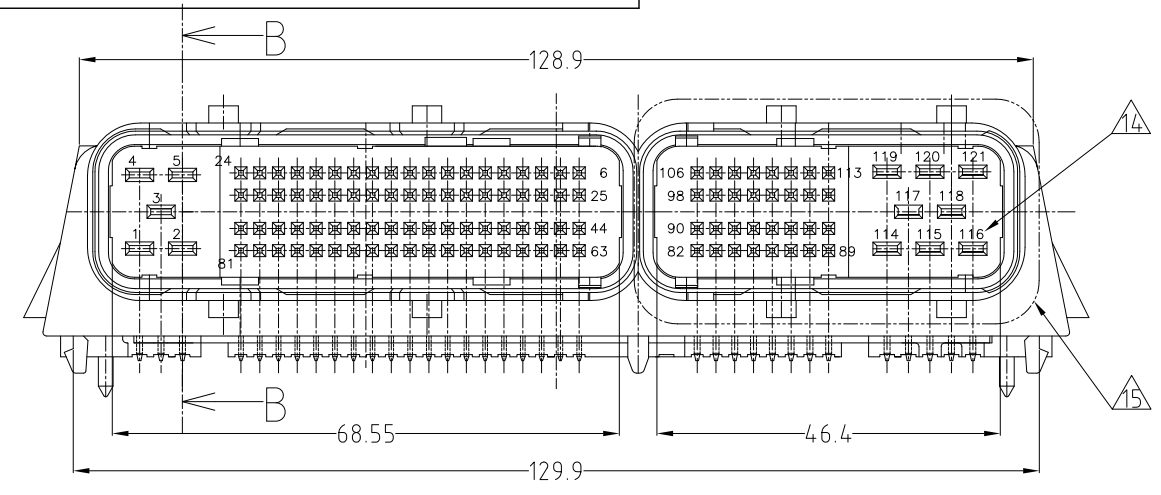
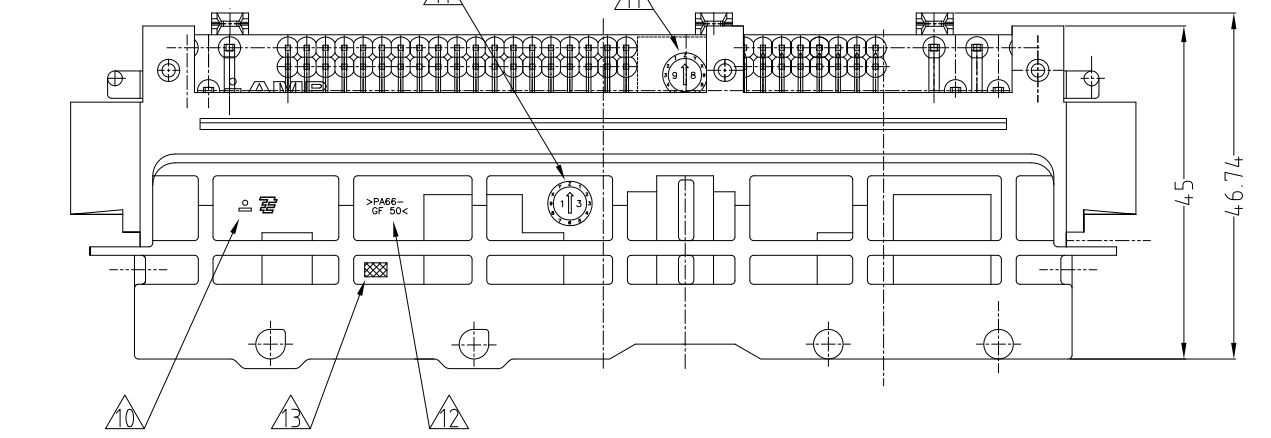
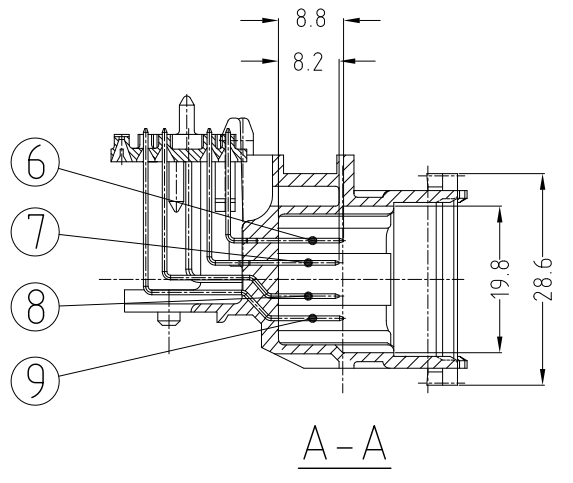
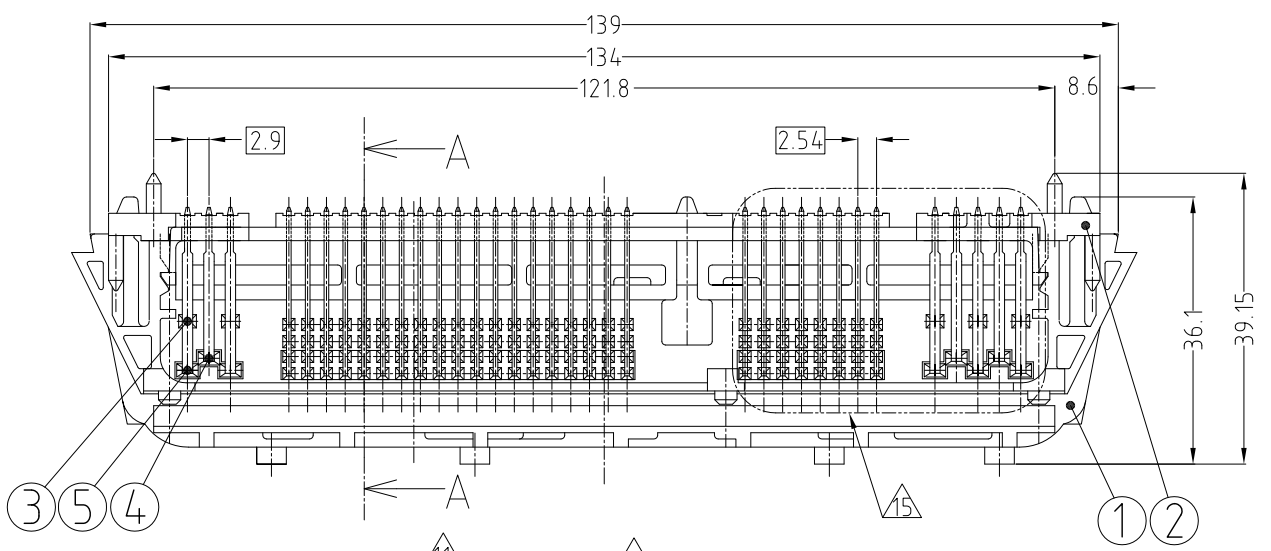


LOC	DIST	REVISIONS			
P	LTR	DESCRIPTION	DATE	BY	APV
A	RELEASED		23.DEC.13	YH	HG



- NOTE :
- GENERAL TOLERANCES 0.15, 1°
 - WARP IS 0.2 MAX AND FLASH IS 0.15 MAX.
 - SHARP EDGES EXCEPT AS NOTED 0.3 CHAMFER.
 - ALL RADII R0.3 EXCEPT AS INDICATED.
 - SURFACE DEFECTS ARE NOT ACCEPTABLE AS FOLLOWS, WELD LINES, HAIRCRACKS, STAINS & SCORES.
 - ASS'Y DIMENSION SHOULD BE CONSIDERED AFTER INSERTING THE JOINTER HOUSING INTO THE HEADER HOUSING.
 - MATERIAL HOUSING : PA66 GF50% (COLOR - BLACK)
TERMINAL : SEE TABLE
 - FINISH SPEC SIGNAL : Sn 2~5um.
POWER : Sn 2~5um.
 - NO SHORT/OPEN.
 - AMP TRADE MARK MUST BE CLEAR AND LEGIBLE.
 - DATE OF PRODUCTION WITH BE CLEAR AND LEGIBLE.
 - MATERIAL MARK MUST BE CLEAR AND 0.5 RAISED INSIDE 0.5mm. CHARACTERS(SIMPLEX) 1.5 HEIGHT.
 - CAVITY MARK.
 - CIRCUIT NUMBER.
 - THIS AREA(TERMINAL) IS NOT AVAILABLE FOR P/N(1-2219100-X).



REV	ASSY P/N	REV	A
1	1-2219100-2		A
2	0-2219100-2		A

NO.	DESCRIPTION	MATERIAL	COLOR	FINISH	Q'TY
9	0.63mm E.LONG TAB	C519TW	-	PRE-TIN	19 27
8	0.63mm LONG TAB	C519TW	-	PRE-TIN	19 27
7	0.63mm MIDDLE TAB	C519TW	-	PRE-TIN	19 27
6	0.63mm SHORT TAB	C519TW	-	PRE-TIN	19 27
5	2.8mm LONG TAB	C2600R-H	-	TINNED	2 5
4	2.8mm MIDDLE TAB	C2600R-H	-	TINNED	1 3
3	2.8mm SHORT TAB	C2600R-H	-	TINNED	2 5
2	JOINTER HOUSING TYPE A	NYLON 66 GF 50	BLACK	-	1 1
1	HEADER HOUSING (81P)	NYLON 66 GF 50	BLACK	-	1 1
1	HEADER HOUSING (121P)	NYLON 66 GF 50	BLACK	-	1 1

THIS DRAWING IS A CONTROLLED DOCUMENT.

DIMENSIONS: MM	TOLERANCES UNLESS OTHERWISE SPECIFIED	DWN	YH	MA
	PLC	KT	LM	
	P	APV/D	HE	CHD
	3	PRODUCT SPEC		
	PLC	APPLICATION SPEC		
	3	WEIGHT		
	PLC	CUSTOMER DRAWING		
	3	SCALE 2:1		
	FINISH	SHEET 1	OF 1	REV A

TE Connectivity
BOSCH 121P HEADER ASSEMBLY
SIZE 11 CAGE CODE 00779 DRAWING NO. 2219100
RESTRICTED TO