

PLEASE CHECK WWW.MOLEX.COM FOR LATEST PART INFORMATION

Part Number: [0955407886](#)
Status: **Active**
Overview: Magnetic and Modular Jacks/Plugs
Description: Modular Jack, Right-Angle, Through Hole, 8/8, Int. Shielded, Low Profile, Reel

Documents:

3D Model	Packaging Specification PK-95540-001-001 (PDF)
Drawing (PDF)	Datasheet (PDF)
3D Model (PDF)	RoHS Certificate of Compliance (PDF)
Product Specification PS-95540-002-001 (PDF)	

General

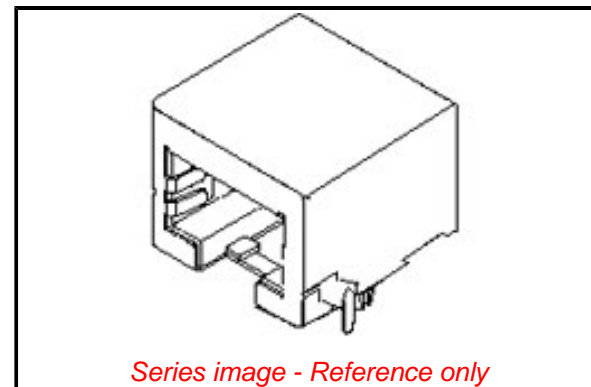
Product Family	Modular Jacks/Plugs
Series	95540
Comments	Reflow Capable, Internal Shield
Component Type	PCB Jack
Magnetic	No
Overview	<u>Magnetic and Modular Jacks/Plugs</u>
Performance Category	3
Power over Ethernet (PoE)	N/A
Product Name	Modular Jack 8/8, RJ45
UPC	884982337039

Physical

Boot Color	N/A
Color - Resin	Black
Durability (mating cycles max)	2500
Inverted / Top Latch	No
Jack Height	11.50mm
Lightpipes/LEDs	None
Material - Metal	Copper Alloy
Material - Plating Mating	Gold over Palladium Nickel
Material - Plating Termination	Tin
Material - Resin	High Temperature Thermoplastic
Net Weight	2.560/g
Orientation	Right Angle (Side Entry)
PCB Locator	Yes
PCB Retention	Yes
PCB Thickness - Recommended	1.57mm
Packaging Type	Embossed Tape on Reel
Pitch - Mating Interface	1.02mm
Pitch - Termination Interface	1.27mm
Plating min - Mating	0.051µm, 0.600µm
Plating min - Termination	1.905µm
Port Configuration	1x1
Positions / Loaded Contacts	8/8
Surface Mount Compatible (SMC)	Yes
Temperature Range - Operating	-40° to +85°C
Termination Interface: Style	Through Hole
Waterproof / Dustproof	No
Wire/Cable Type	N/A

Electrical

Current - Maximum per Contact	1.5A
Grounding to PCB	Yes
Shielded	Yes
Voltage - Maximum	125V DC



EU ELV

Not Relevant

EU RoHS

Compliant

REACH SVHC

Not Contained Per -
D(2021)4569-DC (8
July 2021)

Halogen-Free

Status

Low-Halogen

For more information, please visit [Contact US](#)

China ROHS

ELV

RoHS Phthalates

China RoHS

Green Image

Not Relevant

Not Contained

Search Parts in this Series

[95540](#) Series

Mates With

[95043](#) Modular Plug, Short Body

Material Info

Reference - Drawing Numbers

Packaging Specification

PK-95540-001-001

Product Specification

PS-95540-002-001

Sales Drawing

SD-95540-002-001

This document was generated on 09/28/2021

PLEASE CHECK WWW.MOLEX.COM FOR LATEST PART INFORMATION