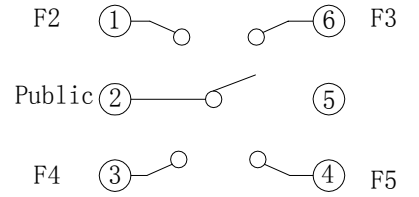
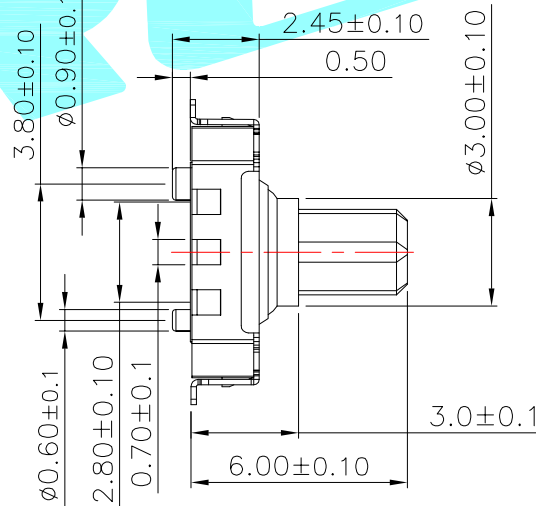
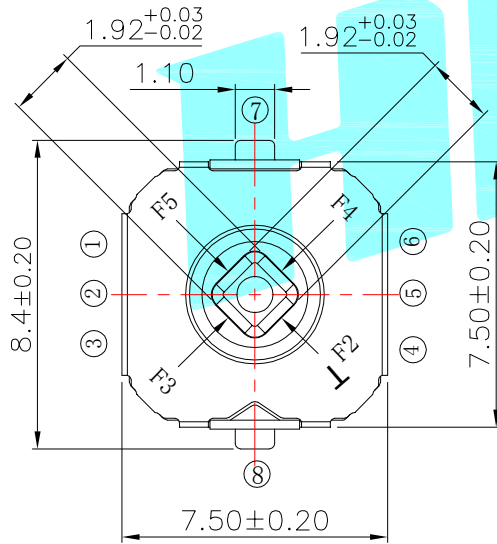


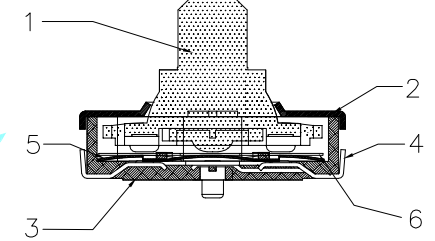
PCB Layout(Pattern Side)



Circuit Diagram



按柄梅花一体式定制款



NOTE:
 Rating: DC12V 50mA
 Operating Force:
 lever portion: 160±50gf
 Travel:4-direction 6°±2°

ITEM	PART NAME	TER'NO.	QTY.	MATERIAL	FINISHING	REMARK
⑥	Mylar	—	1	PTFE	—	—
⑤	Contact	—	2	F.Ag/SUS	—	—
④	Terminal	—	6	Phosphorous copper	Plating silver	—
③	Base	—	1	LCP	Black	—
②	Cover	—	1	SUS	Plating silver	—
①	Keystoke	—	1	PA6T	Black	—

APPROVALS		DATE		HRC 韩策® ELECTRONICS CO.,LTD		
DRAWN	LIUCAN	2022.10.18		TITLE:	按柄梅花一体式定制款	
CHECKED				PART NO.	K1-5203UA-05	
APPROVALS				UNIT: mm	SCALE: 1:1	PROJ:
TOLERANCES ARE			30~以上 ±0.30	ANGLE	UNIT: mm	SCALE: 1:1
			10~30 ±0.20	±2°	DRAWING NO.	SHEET 1 OF 1
			5~10 ±0.15			
			~ 5 ±0.10			

ECN NO.	REV.	DATE.	DESCRIPTION.	CHANGE.	CHECK.	APPRO.
	A		NEW			