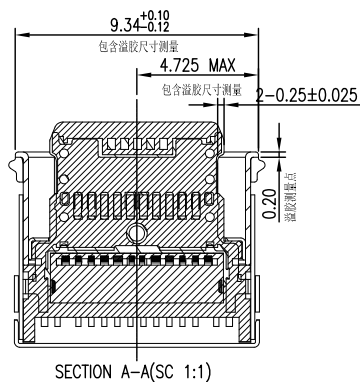
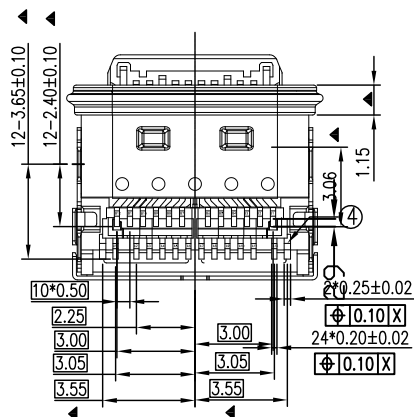
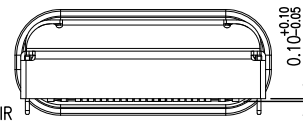
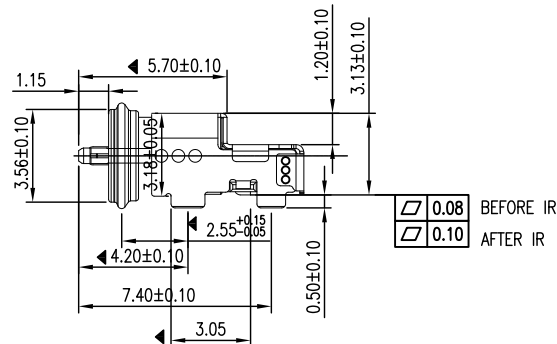
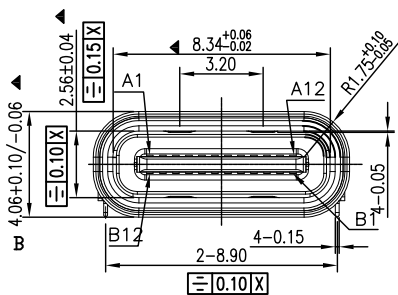


1. ELECTRICAL CHARACTERISTICS:
 1.1 CONTACT RESISTANCE: 40mΩ Max FOR INITIAL, 100mΩ CHANGE AFTER TEST. MEASURE AT 20mV, 100mA.
 1.2 CONTACT CURRENT RATING: 7A FOR COLLECTIVELY POWER SUPPLY PINS(PIN1,4,9,12), 1.25A FOR VCONN PIN: 0, 25A FOR OTHER SIGNAL PIN.
 1.3 DIELECTRIC WITHSTANDING VOLTAGE: 100V AC R.M.S.
 1.4 INSULATION RESISTANCE 1000MΩ Min
 1.5 OPERATING TEMPERATURE: -40° C ~ 85° C
 2. MECHANICAL CHARACTERISTICS:
 2.1 MATING FORCE: 5~20 N.
 2.2 UNMATED FORCE: 8~20N INITIAL TEST; 6~20N DURABILITY AFTER TEST
 2.3 DURABILITY: 10,000 CYCLES

USB TYPE-C FULL-FEATURED RECEPTACLE INTERFACE PIN ASSIGNMENTS

PIN	Signal Name	Description	PIN	Signal Name	Description
A1	GND	Ground return	B12	GND	Ground return
A2	SSTxp1	Positive half of first SuperSpeed TX differential pair	B11	SSRXp1	Positive half of first SuperSpeed RX differential pair
A3	SSTxn1	Negative half of first SuperSpeed TX differential pair	B10	SSRXn1	Negative half of first SuperSpeed RX differential pair
A4	Vbus	Bus Power	B9	Vbus	Bus Power
A5	CC1	Configuration Channel	B8	SBU2	Sideband Use (SBU)
A6	Dp1	Positive half of the USB 2.0 differential pair-Position 1	B7	Dn2	Negative half of the USB 2.0 differential pair-Position 2
A7	Dn1	Negative half of the USB 2.0 differential pair-Position 1	B6	Dp2	Positive half of the USB 2.0 differential pair-Position 2
A8	SBU1	Sideband Use (SBU)	B5	CC2	Configuration Channel
A9	Vbus	Bus Power	B4	Vbus	Bus Power
A10	SSRXn2	Negative half of second SuperSpeed RX differential pair	B3	SSTXn2	Negative half of second SuperSpeed TX differential pair
A11	SSRXp2	Positive half of second SuperSpeed RX differential pair	B2	SSTXp2	Positive half of second SuperSpeed TX differential pair
A12	GND	Ground return	B1	GND	Ground return



深圳市华宇创精密电子有限公司

TOLERANCE:
 X.X ±0.30
 X.XX ±0.25
 X.XXX ±0.15

X' ±2' X.X' ±0.5'

UNIT: mm [inch]

SCALE:1:1 SIZE: A4

DRAWN BY :
陈一鸣

CHECKED BY:
马跃

APPROVED BY:
邱敏

DATE :
2014-02-23

DATE :
2014-02-23

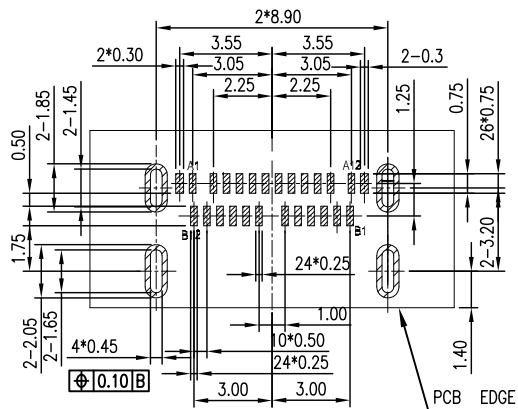
DATE :
2014-02-23

PART NAME:
USB TYPE C 防水母座24P 板上双贴SMT

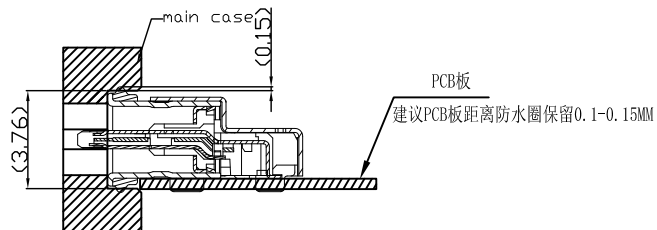
PART NO. HVCW401-USBC24-864B

DRAW NO: HVC-2212131439

SHEET NO. 1 OF 1

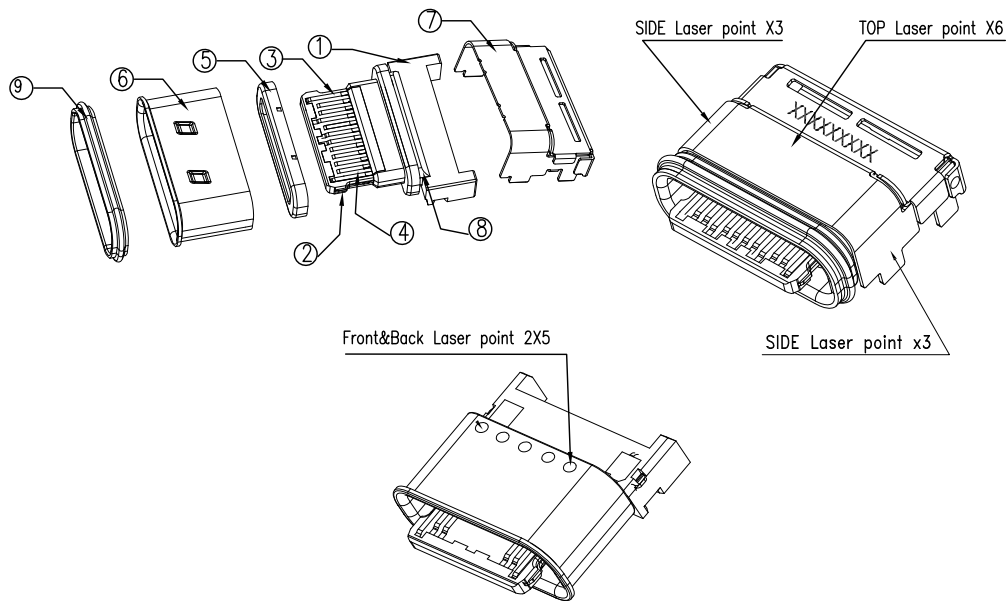


RECOMMENDED PCB LAYOUT
(Tolerance=±0.05)



SECTION A-A
PANEL CUT-OUT REFERENCE

9	密封圈	1PCS	硅胶, 黑色(MicroCoat 423-06)	
8	胶水	1PCS	环氧胶, 黑色	
7	外壳	1PCS	SUS304, T=0.15. 镀镍50u" MIN.	
6	内拉伸壳	1PCS	SUS304, T=0.20.	
5	EMI拉伸壳	1PCS	SUS304, T=0.12. 镀镍50u" MIN.	
4	上排端子	1SET	C18400, T=0.12. 底层镀镍 50-100u", 功能接触区单面	
3	下排端子	1SET	刷镀 Au 15u", 焊接区双面镀金 G/F.	
2	中板	1PCS	SUS301-1/4 H, 镀镍50u" MIN.	
1	塑胶	1PCS	PA46 BLACK	
项目	组成部件	用量	材质/处理	备注



说明:

1. Colplanarity: 0.08最大红外线前., 0.10mm MAX
2. 舌PIN的位置: IR前: 0.08mm MAX; IR后0.12mm MAX;
3. P/N:
4. 包装方式: 载带包装
5. 接触区和焊接区无毛刺, 除特说明, 冲压毛刺为0.05mm MAX.
6. 未标注尺寸公差为自由公差为准.
7. 成品端子平面度必须100%检测.
8. 成品可靠性测试要求参照规格书.
9. 产品满足 ROHS 2.0



深圳市华宇创精密电子有限公司

TOLERANCE: X.X ±0.30 X.XX ±0.25 X.XXX ±0.15 X' ±2' X.X' ±0.5'	DRAWN BY : 陈一鸣	DATE : 2014-02-23	PART NAME: USB TYPE C 防水母座24P 板上双贴SMT
	CHECKED BY: 马跃	DATE : 2014-02-23	PART NO. HYCW401-USBC24-864B
UNIT: mm [inch] SCALE:1:1 SIZE: A4	APPROVED BY: 邱敏	DATE : 2014-02-23	DRAW NO: HYC-2212131439
			SHEET NO. 1 OF 1