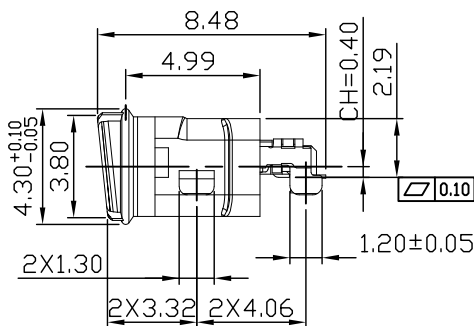
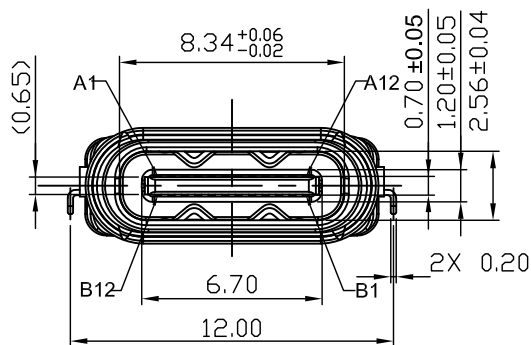


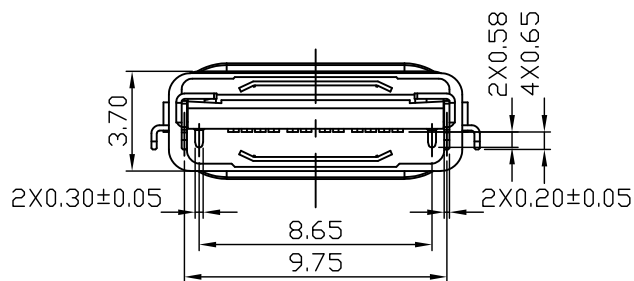
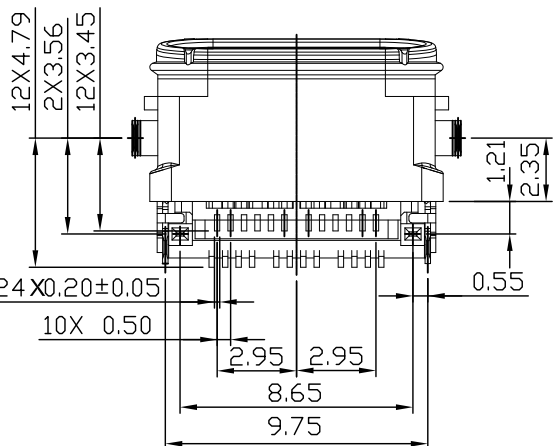
注释:

1. 材料: 见材料清单
2. 通用特性:
 - 2.1 共面度: 0.10 Max.
 - 2.2 额定电流: 5A
 - 2.3 接触电阻: 40 Ω Min/ 绝缘电阻: 100M Ω Min
 - 2.4 耐电压: 100伏交流
 - 2.5 力学特性: 初始插入力: 5~20N 拔出力: 8~20N
 - 2.6 耐久后拔出力: 6~20N
 - 2.7 耐久性: 10000次
3. 防水等级 IPX8



ITEM	DESCRIPTION	Q'TY	MATERIAL	FINISH
7	MID PLATE	1	SUS301	SOLDER NICKEL: 50U" MIN
6	TERMINAL	1	C18400	MATING SIDE:AU15U"; SOLDER TAIL:GOLD FLASH, 50u" NICKEL OVERALL.
5	SHELL	1	SUS304	SOLDER NICKEL: 50U" MIN
4	SOLDER PIN	1	SUS304	SOLDER NICKEL: 50U" MIN
3	SHELL HOUSING	1	PA46	BLACK
2	LIM	1	硅胶	BLACK
1	MAIN HOUSING	1	PA46	BLACK

BILL OF MATERIAL



Pin:

A1	A2	A3	A4	A5	A6	A7	A8	A9	A10	A11	A12
GND	TX1+	TX1-	Vbus	CC1	D+	D-	SBU1	Vbus	RX2-	RX2+	GND
B12	B11	B10	B9	B8	B7	B6	B5	B4	B3	B2	B1



深圳市华宇创精密电子有限公司

TOLERANCE: X.X ±0.30 X.XX ±0.25 X.XXX ±0.15 X: ±2' X.X' ±0.5'	DRAWN BY : 陈一鸣	DATE : 2014-02-23	PART NAME: USB TYPE C 防水母座24P 沉板双贴斜口CH.4
	CHECKED BY: 马跃	DATE : 2014-02-23	PART NO. : HYCW399-USBC24-219B
UNIT: mm [inch] SCALE:1:1 SIZE: A4	APPROVED BY: 邱敏	DATE : 2014-02-23	DRAW NO. : HYC-2212131130
			SHEET NO. : 1 OF 1

