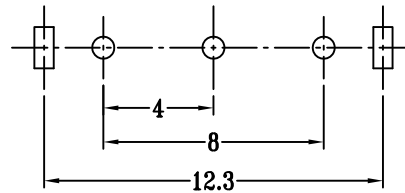
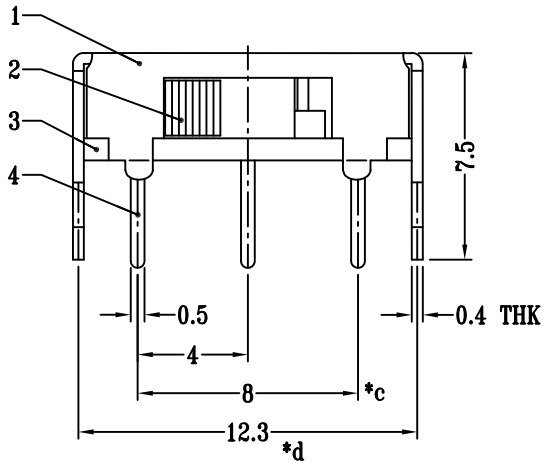


**SK-13D07-GXXX**

横柄 G-Switch P/N

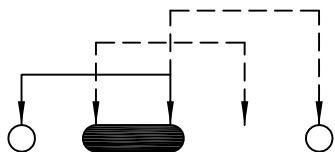
- G=020 (2.0) G=030 (3.0)
- G=040 (4.0) G=050 (5.0)
- G=055 (5.5) G=060 (6.0)
- G=065 (6.5) G=070 (7.0)
- G=075 (7.5) G=080 (8.0)
- G=085 (8.5) G=090 (9.0)
- G=095 (9.5) G=100 (10.0)



**P.C.B LAYOUT  
BOTTOM VIEW**

G-Switch Specification:

RATING (额定值) : DC250V 0.5A  
 CONTACT RESISTANCE 接触电阻:  $\leq 70m\Omega$   
 INSULATION RESISTANCE 绝缘电阻:  $\geq 100m\Omega$   
 DIELECTRIC STRENGTH 耐电压: AC 500V for 1 minute  
 TIMING (时间特性) : SHORTING



**SCHMATIC (NON-SHORTING)**



	<b>G-Switch Electronic Technology CO.,Ltd.</b>		
	DESIGN 陈锋枫	DATE 2016.05.29	TITLE:
Unless otherwise specified, Tolerance:	CHECKED	DATE	<b>SK-13D07-GXXX</b>
X. $\pm 0.30$ X.x $\pm 0.20$ X.xx $\pm 0.15$ X.xxx $\pm 0.10$ Angles $\pm 3^\circ$	APPROVED	DATE	
	<a href="http://www.dg-switch.com">http://www.dg-switch.com</a>		REV.: X1
	TEL:0769-82388879		SCALE: 4:1
			UNIT: mm
			SIZE: A4
			SHEET: 1/1