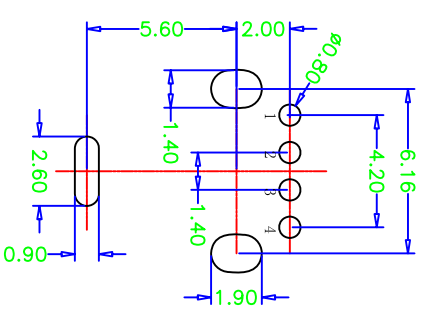
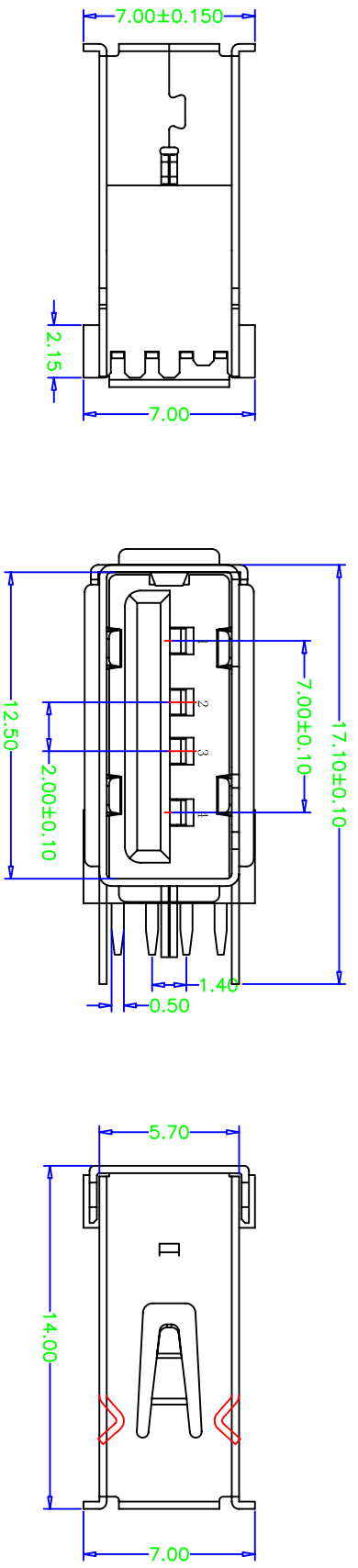


REV	MODIFICATION	DATE
A0	胶芯变更	2013.12.20



RECOMMENDED PCB LAYOUT
GENERAL TOLERANCES: ± 0.05

- NOTE:
- Material:
Housing: Thermoplastics, UL94V-0 (ROHS, HF)
Contact: Phosphor Bronze C5191-EH/C2680-EH, T=0.25mm
Shell: COPPER ALLOY T=0.30mm
 - FINISH:
Contact: 15u" Gold Plated on Contact Area,
80u" Min.Tin Plated on Solder Area
50u" Min.Nickel Underplating Over ALL.
Shell: 50u" Min.Nickel Underplating Over ALL.
 - Specification:
3.1: Rating:
Rated voltage 500V AC/DC. Rated current: 2 A Max.
3.2: Electrical:
Insulation Resistance(EIA-364-21):
1000M Ω Min. at 500V/DC for 1Minute.
Contact Resistance(EIA-364-23):
30 m Ω Max. at 20mV Max, 50mA
Dielectric Withstanding Voltage(EIA-364-20):
No discharge, flashover or breakdown at 500V/AC 1Minute
 - Plug extraction force shall be between 1.0kgf and 2.00kgf
 - Contact finish:
01:Selective Gold Flash
02:Selective Gold 3U"
03:Selective Gold 5U"
04:Selective Gold 15U"
05:Selective Gold 30U"

深圳市精拓金电子有限公司

产品图 PRODUCT CHART DWG		单位 UNITS		制图 DRAWING		制料号 PRODUCT PART NO.	
公差一览表		MM		2-Y-B		906-152A1021D10200	
TOLERANCE UNLESS OTHERWISE				审核 CHKD	郭治富	产品名称 PRODUCT NAME	4.0侧插壳体三直脚有边铜壳带黑胶
X ± 0.25 X	$\pm 5.^\circ$			日期 DATE	2013.12.20	角法 VIEW	版本 REV
X ± 0.20 X	$\pm 2.^\circ$						
.XX ± 0.15 .XX	$\pm 1.^\circ$						
.XXX ± 0.10 .XXX	$\pm 0.5^\circ$						

1 2 3 4 5 6 7 8 9 10