

MAX3097E/MAX3098E

±15kV ESD-Protected, 32Mbps, 3V/5V, Triple RS-422/RS-485 Receivers with Fault Detection

General Description

The MAX3097E/MAX3098E feature three high-speed RS-485/RS-422 receivers with fault-detection circuitry and fault-status outputs. The receivers' inputs have fault thresholds that detect when the part is not in a valid state.

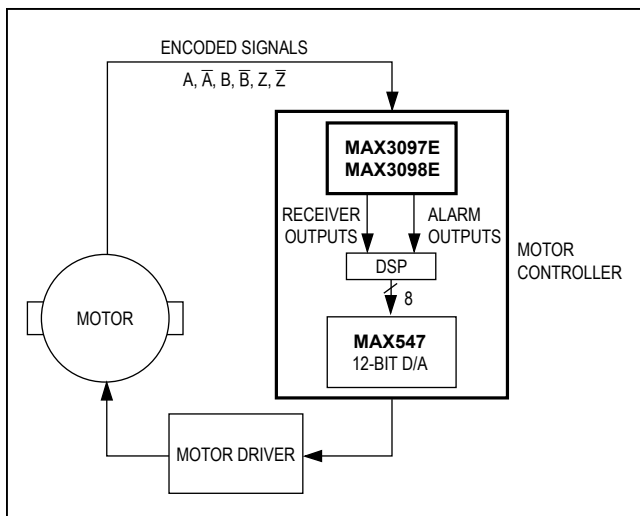
The MAX3097E/MAX3098E indicate when a receiver input is in an open-circuit condition, short-circuit condition, or outside the common-mode range. They also generate a fault indication when the differential input voltage goes below a preset threshold. See [Ordering Information](#) or the [Electrical Characteristics](#) for threshold values.

The fault circuitry includes a capacitor-programmable delay to ensure that there are no erroneous fault conditions even at slow edge rates. Each receiver is capable of accepting data at rates up to 32Mbps.

Applications

- RS-485/RS-422 Receivers for Motor-Shaft Encoders
- High-Speed, Triple RS-485/RS-422 Receiver with Extended Electrostatic Discharge (ESD)
- Triple RS-485/RS-422 Receiver with Input Fault Indication
- Telecommunications
- Embedded Systems

Typical Application Circuit



Features

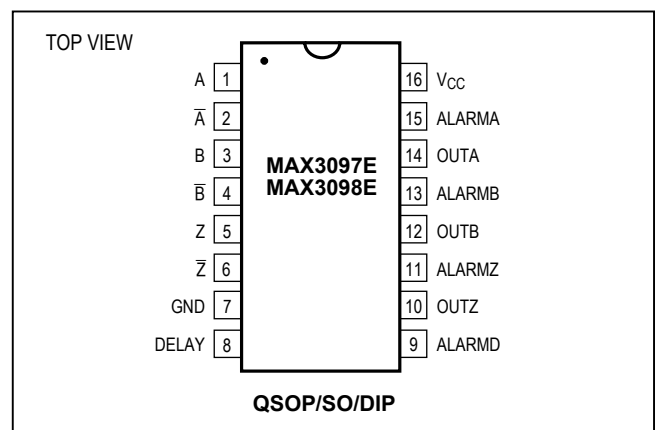
- Detects the Following RS-485 Faults:
 - Open-Circuit Condition
 - Short-Circuit Condition
 - Low Differential Voltage Signal
 - Common-Mode Range Violation
- ESD Protection
 - ±15kV—Human Body Model
 - ±15kV—IEC 1000-4-2, Air-Gap Discharge Method
 - ±8kV—IEC 1000-4-2, Contact Discharge Method
- Single +3V to +5.5V Operation
- -10V to +13.2V Extended Common-Mode Range
- Capacitor-Programmable Delay of Fault Indication Allows Error-Free Operation at Slow Data Rates
- Independent and Universal Fault Outputs
- 32Mbps Data Rate
- 16-Pin QSOP is 40% Smaller than Industry-Standard 26LS31/32 Solutions

Ordering Information

| PART | TEMP. RANGE | PIN-PACKAGE |
|-------------|--------------|-------------|
| MAX3097ECE | 0°C to +70°C | 16 QSOP |
| MAX3097ECSE | 0°C to +70°C | 16 SO |

Ordering Information continued at end of data sheet.

Pin Configuration



MAX3097E/MAX3098E

±15kV ESD-Protected, 32Mbps, 3V/5V,
Triple RS-422/RS-485 Receivers
with Fault Detection

Absolute Maximum Ratings

| | |
|---|-----------------------------------|
| Supply Voltage (V _{CC})..... | +7V |
| Receiver Input Voltage (A, \bar{A} , B, \bar{B} , Z, \bar{Z})..... | ±25V |
| Output Voltage (OUT_, ALARM_)..... | -0.3V to (V _{CC} + 0.3V) |
| DELAY..... | -0.3V to (V _{CC} + 0.3V) |
| Continuous Power Dissipation (T _A = +70°C) | |
| 16-Pin QSOP (derate 8.3mW/°C above +70°C)..... | 667mW |
| 16-Pin SO (derate 8.7mW/°C above +70°C)..... | 696mW |
| 16-Pin Plastic DIP (derate 10.53mW/°C above +70°C)..... | 762mW |

| | |
|--|-----------------|
| Operating Temperature Ranges | |
| MAX3097E_C_E..... | 0°C to +70°C |
| MAX3098E_C_E..... | 0°C to +70°C |
| MAX3097E_E_E..... | -40°C to +85°C |
| MAX3098E_E_E..... | -40°C to +85°C |
| Storage Temperature Range..... | -65°C to +150°C |
| Junction Temperature..... | +150°C |
| Lead Temperature (soldering, 10s)..... | +300°C |

Stresses beyond those listed under "Absolute Maximum Ratings" may cause permanent damage to the device. These are stress ratings only, and functional operation of the device at these or any other conditions beyond those indicated in the operational sections of the specifications is not implied. Exposure to absolute maximum rating conditions for extended periods may affect device reliability.

Electrical Characteristics

(V_{CC} = +3V to +5.5V, T_A = T_{MIN} to T_{MAX}, unless otherwise noted. Typical values are at V_{CC} = +5V and T_A = +25°C.)

| PARAMETER | SYMBOL | CONDITIONS | | MIN | TYP | MAX | UNITS |
|--|-------------------|--|----------------------------------|-----------------|-----|-------|-------|
| Supply Voltage Range | V _{CC} | | | 3 | | 5.5 | V |
| Supply Current | I _{CC} | No load | | | 3.1 | 4.0 | mA |
| Receiver Differential Threshold Voltage (Note 1) | V _{TH} | -10V ≤ V _{CM} ≤ 13.2V | | -200 | | +200 | mV |
| Receiver Input Hysteresis | ΔV _{TH} | -10V ≤ V _{CM} ≤ 13.2V | | | 40 | | mV |
| Output High Voltage | V _{OH} | V _{CC} = 4.75V, I _O = -4mA, V _{ID} = +200mV | | V _{CC} | | -1.5 | V |
| | | V _{CC} = 3.0V, I _O = -1mA, V _{ID} = +200mV | | V _{CC} | | -1.0 | |
| Output Low Voltage | V _{OL} | V _{CC} = 4.75V, I _O = +4mA, V _{ID} = -200mV | | | | 0.4 | V |
| | | V _{CC} = 3.0V, I _O = +1mA, V _{ID} = -200mV | | | | 0.4 | |
| Receiver Input Resistance | R _{IN} | -10V ≤ V _{CM} ≤ 13.2V | | 90 | | 160 | kΩ |
| Input Current (A, \bar{A} , B, \bar{B} (Z, \bar{Z})) | I _{IN} | V _{CC} = 0 or 5.5V | V _{IN} = 13.2V (Note 2) | 0.07 | | 0.14 | mA |
| | | | V _{IN} = -10V (Note 2) | -0.05 | | -0.11 | |
| Output Short-Circuit Current | I _{OSR} | 0 ≤ V _{RO} ≤ V _{CC} | | | | ±105 | mA |
| FAULT DETECTION | | | | | | | |
| MAX3097EA Fault-Detection Receiver Differential Threshold Voltage (Note 2) | F _{DIFH} | V _{CM} = 0 | High limit | 275 | | 476 | mV |
| | F _{DIFL} | | Low limit | -475 | | -275 | |
| MAX3098EA Fault-Detection Receiver Differential Threshold Voltage (Note 2) | F _{DIFH} | V _{CM} = 0 | High limit | 0.12 | | 0.20 | V |
| | F _{DIFL} | | Low limit | -0.20 | | -0.12 | |

Electrical Characteristics (continued)(V_{CC} = +3V to +5.5V, T_A = T_{MIN} to T_{MAX}, unless otherwise noted. Typical values are at V_{CC} = +5V and T_A = +25°C.)

| PARAMETER | SYMBOL | CONDITIONS | MIN | TYP | MAX | UNITS |
|--|-------------------|--|------------|------|------|-------|
| MAX3098EB Fault-Detection Receiver Differential Threshold Voltage (Note 2) | F _{DIFH} | V _{CM} = 0 | High limit | 70 | 250 | mV |
| | F _{DIFL} | | Low limit | -250 | -70 | |
| Fault-Detection Receiver Input Voltage Range (Note 3) | F _{CMH} | High limit | 13.2 | | | V |
| | F _{CM L} | Low limit | -10 | | | |
| DELAY Current Source | | V _{CC} = 5V, V _{DELAY} = 0 | 9 | 10 | 11 | μA |
| DELAY Threshold | | V _{CC} = 3V | 1.55 | 1.73 | 1.90 | V |
| | | V _{CC} = 5V | 3.1 | 3.29 | 3.5 | |
| ESD PROTECT | | | | | | |
| ESD Protection (A, \bar{A} , B, \bar{B} (Z, \bar{Z})) | | Human Body Model | ±15 | | | kV |
| | | IEC1000-4-2 (Air-Gap Discharge) | ±15 | | | |
| | | IEC1000-4-2 (Contact Discharge) | ±8 | | | |

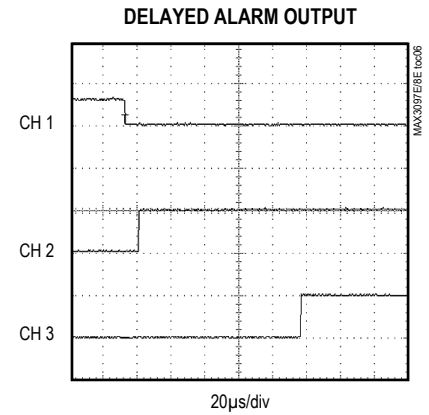
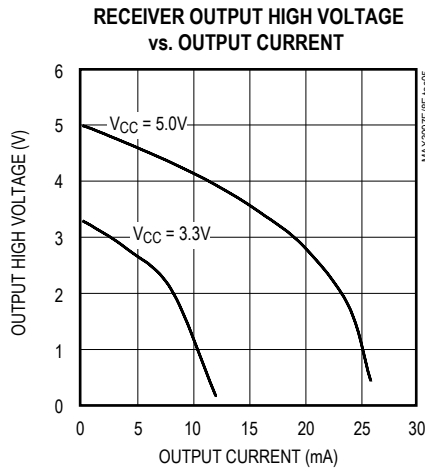
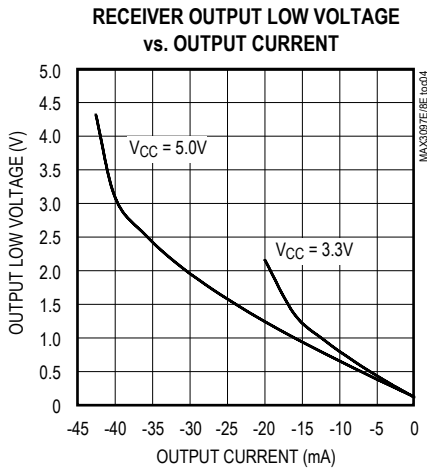
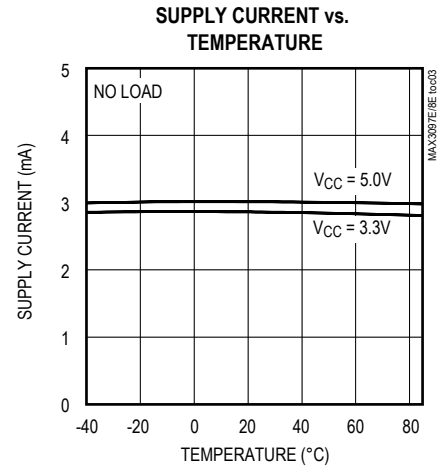
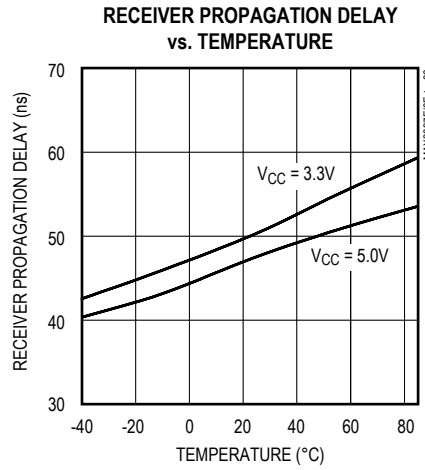
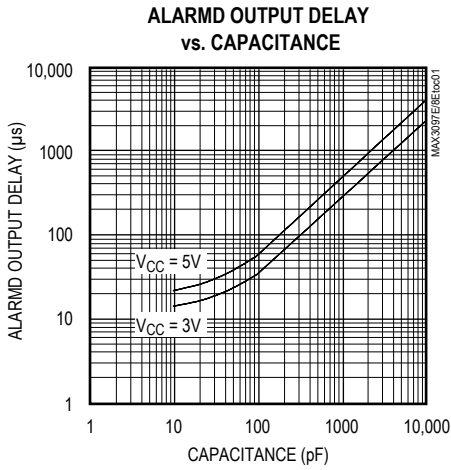
Switching Characteristics(V_{CC} = +3V to +5.5V, V_{ID} = ±3.0V, T_A = T_{MIN} to T_{MAX}, unless otherwise noted. Typical values are at V_{CC} = +5V and T_A = +25°C.)

| PARAMETER | SYMBOL | CONDITIONS | MIN | TYP | MAX | UNITS |
|--|-------------------------------------|--------------------------------------|--------------------------------|-----|-----|-------|
| Propagation Delay from Input to Output | t _{PLH} , t _{PHL} | C _L = 15pF, Figures 1, 2 | V _{CC} = 4.5V to 5.5V | 75 | | ns |
| | | | V _{CC} = 3.0V to 3.6V | 85 | | |
| Receiver Skew t _{PLH} - t _{PHL} | t _{SKEW} | C _L = 15pF, Figures 1, 2 | ±10 | | | ns |
| Channel-to-Channel Propagation Delay Skew | | C _L = 15pF, Figures 1, 2 | ±10 | | | ns |
| Maximum Data Rate | f _{MAX} | C _L = 15pF, Figure 1 | 32 | | | Mbps |
| FAULT DETECTION | | | | | | |
| Differential Fault Propagation Delay to Output (Note 5) | t _{DFLH} | C _{LF} = 15pF, Figures 1, 3 | 15 | | | μs |
| | t _{DFHL} | | 1.2 | | | |
| Minimum Differential Slew Rate to Avoid False Alarm Output | | MAX3097E (Note 6) | 1.0 | | | V/μs |
| | | MAX3098E (Note 7) | 0.33 | | | |
| Common-Mode Fault Propagation Delay to Output (Note 5) | t _{CMFLH} | C _L = 15pF, Figures 1, 4 | 15 | | | μs |
| | t _{CMFHL} | | 1.5 | | | |

Note 1: V_{CM} is the common-mode input voltage. V_{ID} is the differential input voltage.**Note 2:** V_{IN} is the input voltage at pins A, \bar{A} , B, \bar{B} , Z, \bar{Z} .**Note 3:** A differential terminating resistor is required for proper function of open-circuit fault detection (see [Applications Information](#)).**Note 4:** See [Applications Information](#) for a discussion of the receiver common-mode voltage range and the operating conditions for fault indication.**Note 5:** Applies to the individual channel immediate-fault outputs (ALARM₁) and the general delayed-fault output (ALARM_{MD}) when there is no external capacitor at DELAY.**Note 6:** Equivalent pulse test: $1.3V/(t_{DFLH} - t_{DFHL}) \geq SR_D$.**Note 7:** Equivalent pulse test: $0.62V/(t_{DFLH} - t_{DFHL}) \geq SR_D$.

Typical Operating Characteristics

(Typical values are at $V_{CC} = +5V$ and $T_A = +25^{\circ}C$.)

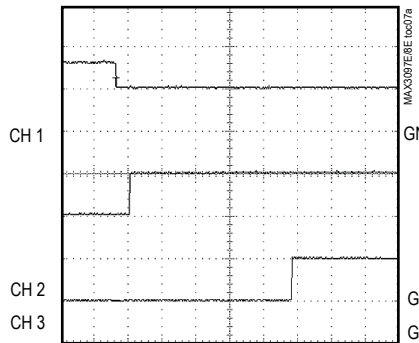


CH1: V_A , 5V/div
CH2: V_{ALARMA} , 5V/div
CH3: V_{ALARMD} , 5V/div
 $V_A = GND$, $C_{DELAY} = 270pF$

Typical Operating Characteristics (continued)

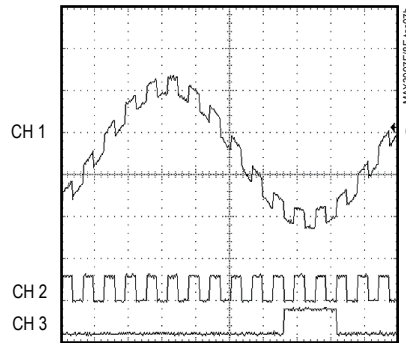
(Typical values are at $V_{CC} = +5V$ and $T_A = +25^{\circ}C$.)

COMMON-MODE VOLTAGE FAULT
(HIGH SIDE)



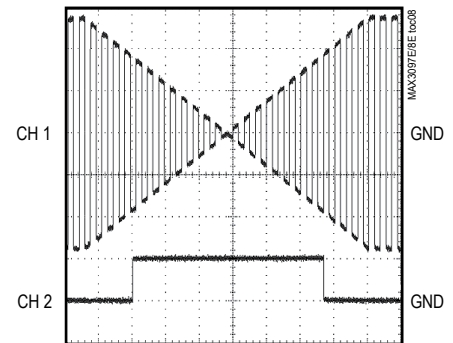
2ms/div
CH1: $V_A + AC(60Hz)$, 10V/div
CH2: V_{OUTA} , 5V/div
CH3: V_{ALARMA} , 5V/div
 $V_{CC} = 3V$

COMMON-MODE VOLTAGE FAULT
(LOW SIDE)



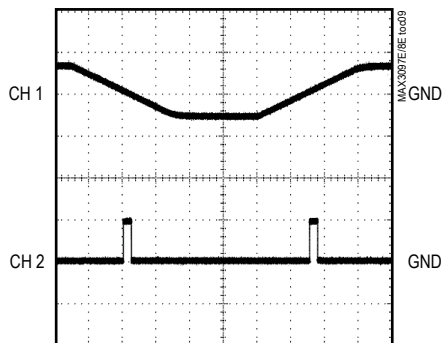
2ms/div
CH1: $V_A + AC(60Hz)$, 10V/div
CH2: V_{OUTA} , 5V/div
CH3: V_{ALARMA} , 5V/div
 $V_{CC} = 3V$

MAX3097E
LOW DIFFERENTIAL INPUT FAULT



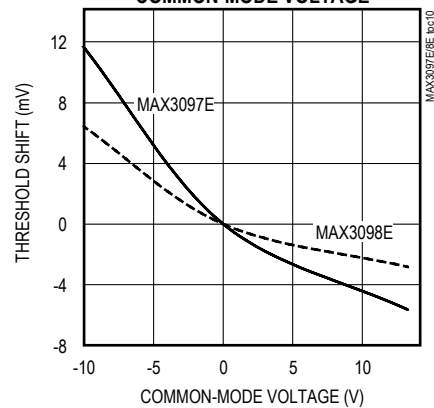
100µs/div
CH1: V_A , 200mV/div
CH2: V_{ALARMA} , 5V/div
 $V_A = GND$

SLEW-RATE FAULT



CH1: V_A , 5V/div
CH2: V_{ALARMA} , 5V/div
SLEW RATE = $0.05V/\mu s$
 $V_A = GND$

FAULT-DETECTION RECEIVER DIFFERENTIAL
THRESHOLD VOLTAGE SHIFT vs.
COMMON-MODE VOLTAGE



Pin Description

| PIN | NAME | FUNCTION |
|-----|-----------|--|
| 1 | A | Noninverting Receiver A Input |
| 2 | \bar{A} | Inverting Receiver A Input |
| 3 | B | Noninverting Receiver B Input |
| 4 | \bar{B} | Inverting Receiver B Input |
| 5 | Z | Noninverting Receiver Z Input |
| 6 | \bar{Z} | Inverting Receiver Z Input |
| 7 | GND | Ground |
| 8 | DELAY | Programmable Delay Terminal. Connect a capacitor from DELAY to GND to set the ALARMD output delay time. To obtain a minimum delay, leave DELAY unconnected. See Capacitance vs. ALARMD Output Delay in the <i>Typical Operating Characteristics</i> . |
| 9 | ALARMD | Delayed Fault Output. This output is the logic OR of ALARMA, ALARMB, and ALARMZ. Place a capacitor from the DELAY pin to GND to set the delay (see <i>Setting Delay Time</i>). A high logic level indicates a fault condition on at least one receiver input pair. A low level on this pin indicates no fault condition is present. |
| 10 | OUTZ | Z Receiver Output. If $V_Z - V_{\bar{Z}} \geq +200\text{mV}$, OUTZ will be high. If $V_Z - V_{\bar{Z}} \leq -200\text{mV}$, OUTZ will be low. If Z or \bar{Z} exceeds the receiver's input common-mode voltage range, the ALARMZ output will be high and OUTZ will be indeterminate. |
| 11 | ALARMZ | Z Fault Output. When ALARMZ is high, OUTZ is indeterminate. Tables 1 and 2 show all the possible states for which an alarm is set. |
| 12 | OUTB | B Receiver Output. If $V_B - V_{\bar{B}} \geq +200\text{mV}$, OUTB will be high. If $V_B - V_{\bar{B}} \leq -200\text{mV}$, OUTB will be low. If B or \bar{B} exceeds the input receiver's common-mode voltage range, the ALARMB output will be high and OUTB will be indeterminate. |
| 13 | ALARMB | B Fault Output. When ALARMB is high, OUTB is indeterminate. Tables 1 and 2 show all the possible states for which an alarm is set. |
| 14 | OUTA | A Receiver Output. If $V_A - V_{\bar{A}} \geq +200\text{mV}$, OUTA will be high. If $V_A - V_{\bar{A}} \leq -200\text{mV}$, OUTA will be low. If A or \bar{A} exceeds the receiver's input common-mode voltage range, the ALARMA output will be high and OUTA will be indeterminate. |
| 15 | ALARMA | A Fault Output. When ALARMA is high, OUTA is indeterminate. Tables 1 and 2 show all the possible states for which an alarm is set. |
| 16 | V_{CC} | Power Supply |

MAX3097E/MAX3098E

±15kV ESD-Protected, 32Mbps, 3V/5V, Triple RS-422/RS-485 Receivers with Fault Detection

Detailed Description

The MAX3097E/MAX3098E feature high-speed, triple RS-485/RS-422 receivers with fault-detection circuitry and fault-status outputs. The fault outputs are active push-pull, requiring no pull-up resistors. The fault circuitry includes a capacitor-programmable delayed FAULT_ output to ensure that there are no erroneous fault conditions even at slow edge rates (see [Delayed Fault Output](#)). The receivers operate at data rates up to 32Mbps.

The MAX3097E/MAX3098E are designed for motor-shaft encoders with standard A, B, and Z outputs (see [Using the MAX3097E/MAX3098E as Shaft Encoder Receivers](#)). The devices provide an alarm for open-circuit conditions, short-circuit conditions, data nearing the minimum differential threshold conditions, data below the minimum threshold conditions, and receiver inputs outside the input common-mode range. Tables 1 and 2 are functional tables for each receiver.

Test Circuits and Waveforms

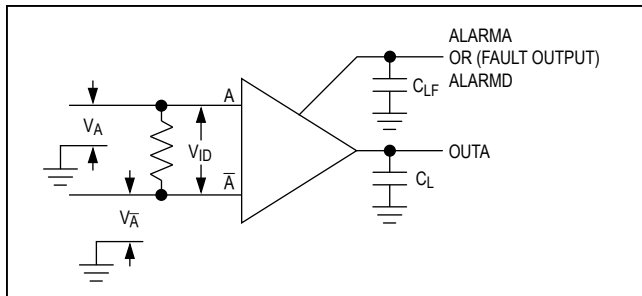


Figure 1. Typical Receiver Test Circuit

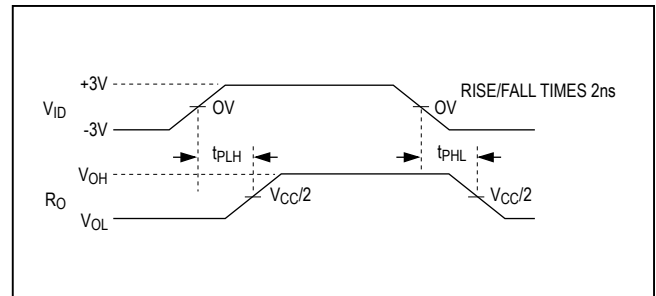


Figure 2. Propagation Delay

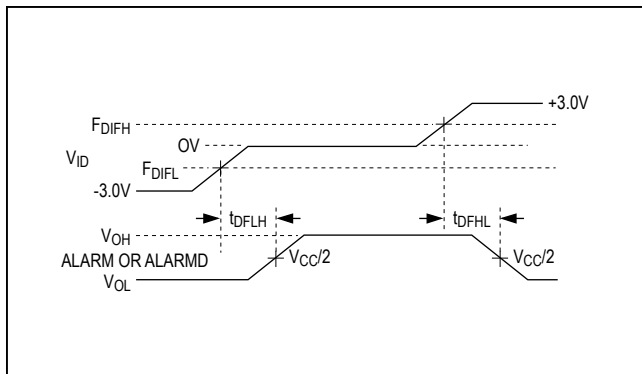


Figure 3. Fault-Detection Timing

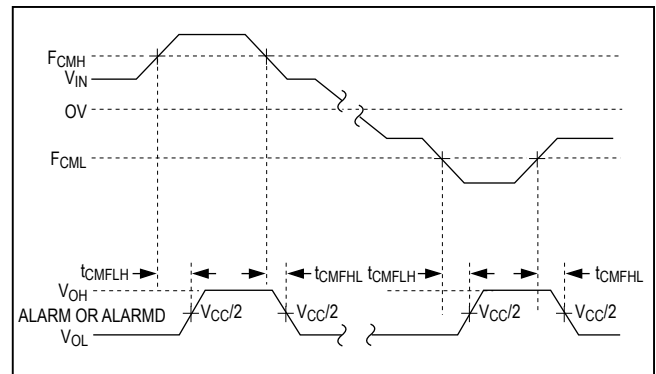


Figure 4. Common-Mode Fault Propagation Delay

Table 1. MAX3097E Alarm Function Table (Each Receiver)

| INPUTS | | OUTPUTS | | | FAULT CONDITION |
|--|------------------------|---------------------------|---------------|---------------------------------|-----------------------------------|
| V _{ID} (DIFFERENTIAL INPUT VOLTAGE) | COMMON-MODE VOLTAGE | OUT_ | ALARM_ | ALARMD t ≥ DELAY (NOTE 1) | |
| ≥0.475V | ≤13.2V and ≥-10V | 1 | 0 | 0 | Normal Operation |
| <0.475V and ≥0.275V | | 1 | Indeterminate | Indeterminate | Indeterminate |
| <0.275V and ≥0.2V | | 1 | 1 | 1 | Low Input Differential Voltage |
| ≤0.2V and ≥-0.2V | | Indeterminate (Note 2) | 1 | 1 | Low Input Differential Voltage |
| ≤-0.2V and >-0.275V | | 0 | 1 | 1 | Low Input Differential Voltage |
| ≤-0.275V and >-0.475V | | 0 | Indeterminate | Indeterminate | Indeterminate |
| ≤-0.475V | | 0 | 0 | 0 | |
| X | <-10V or >+13.2V | Indeterminate (Note 3) | 1 | 1 | Outside Common-Mode Voltage Range |

X = Don't care

Note 1: ALARMD indicates fault for any receiver.

Note 2: Receiver output may oscillate with this differential input condition.

Note 3: See *Applications Information* for conditions leading to input range fault condition.

Table 2. MAX3098EA Alarm Function Table (Each Receiver)

| INPUTS | | OUTPUTS | | | FAULT CONDITION |
|--|------------------------|---------------------------|---------------|---------------------------------|-----------------------------------|
| V _{ID} (DIFFERENTIAL INPUT VOLTAGE) | COMMON-MODE VOLTAGE | OUT_ | ALARM_ | ALARMD t ≥ DELAY (NOTE 1) | |
| ≥0.2V | ≤13.2V and ≥-10V | 1 | 0 | 0 | Normal Operation |
| <0.2V and ≥0.12V | | Indeterminate | Indeterminate | Indeterminate | Indeterminate |
| <0.12V and ≥-0.12V | | Indeterminate (Note 2) | 1 | 1 | Low Input Differential Voltage |
| ≤-0.12V and ≥-0.2V | | Indeterminate | Indeterminate | Indeterminate | Indeterminate |
| ≤-0.2V | | 0 | 0 | 0 | Normal Operation |
| X | <-10V or >+13.2V | Indeterminate (Note 3) | 1 | 1 | Outside Common-Mode Voltage Range |

X = Don't care; for B-grade functionality, replace V_{ID} input values in Table 2 with B-grade parameters from *Electrical Characteristics*.

Note 1: ALARMD indicates fault for any receiver.

Note 2: Receiver output may oscillate with this differential input condition.

Note 3: See *Applications Information* for conditions leading to input range fault condition.

MAX3097E/MAX3098E

±15kV ESD-Protected, 32Mbps, 3V/5V, Triple RS-422/RS-485 Receivers with Fault Detection

±15kV ESD Protection

As with all Maxim devices, ESD-protection structures are incorporated on all pins to protect against ESD encountered during handling and assembly. The MAX3097E/MAX3098E receiver inputs have extra protection against static electricity found in normal operation. Maxim's engineers developed state-of-the-art structures to protect these pins against ±15kV ESD without damage. After an ESD event, the MAX3097E/MAX3098E continue working without latchup.

ESD protection can be tested in several ways. The receiver inputs are characterized for protection to the following:

- ±15kV using the Human Body Model
- ±8kV using the Contact Discharge method specified in IEC 1000-4-2 (formerly IEC 801-2)
- 15kV using the Air-Gap Discharge method specified in IEC 1000-4-2 (formerly IEC 801-2)

ESD Test Conditions

ESD performance depends on a number of conditions. Contact Maxim for a reliability report that documents test setup, methodology, and results.

Human Body Model

Figure 5a shows the Human Body Model, and Figure 5b shows the current waveform it generates when discharged into a low impedance. This model consists of a 100pF capacitor charged to the ESD voltage of interest, which is then discharged into the device through a 1.5kΩ resistor.

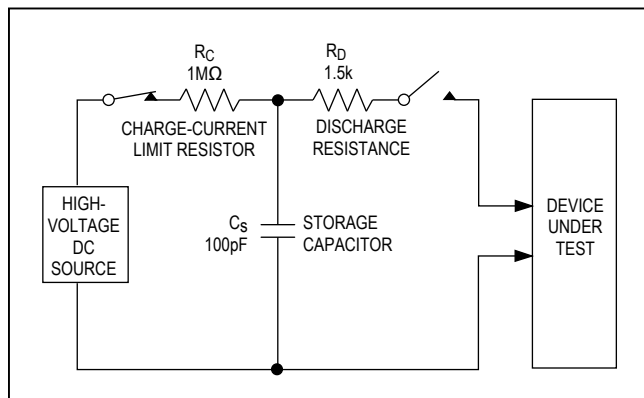


Figure 5a. Human Body ESD Test Model

IEC 1000-4-2

Since January 1996, all equipment manufactured and/or sold in the European community has been required to meet the stringent IEC 1000-4-2 specification. The IEC 1000-4-2 standard covers ESD testing and performance of finished equipment; it does not specifically refer to integrated circuits. The MAX3097E/MAX3098E help you design equipment that meets Level 4 (the highest level) of IEC 1000-4-2, without additional ESD-protection components.

The main difference between tests done using the Human Body Model and IEC 1000-4-2 is higher peak current in IEC 1000-4-2. Because series resistance is lower in the IEC 1000-4-2 ESD test model (Figure 6a), the ESD-withstand voltage measured to this standard is generally lower than that measured using the Human Body Model. Figure 6b shows the current waveform for the ±8kV IEC 1000-4-2 Level 4 ESD Contact Discharge test. The Air-Gap test involves approaching the device with a charge probe. The Contact Discharge method connects the probe to the device before the probe is energized.

Machine Model

The Machine Model for ESD testing uses a 200pF storage capacitor and zero-discharge resistance. It mimics the stress caused by handling during manufacturing and assembly. All pins (not just RS-485 inputs) require this protection during manufacturing. Therefore, the Machine Model is less relevant to the I/O ports than are the Human Body Model and IEC 1000-4-2.

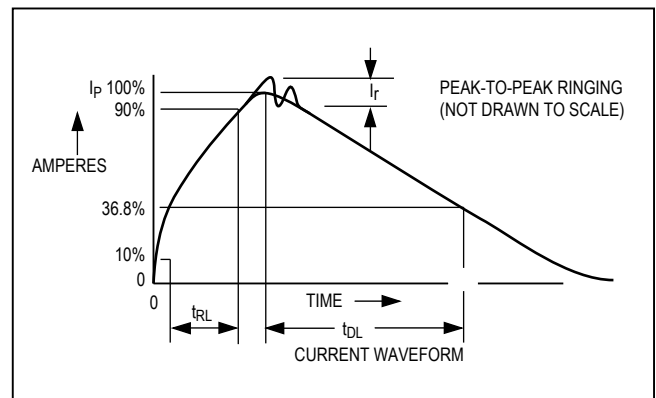


Figure 5b. Human Body Model Current Waveform

Applications Information

Using the MAX3097E/MAX3098E as Shaft Encoder Receivers

The MAX3097E/MAX3098E are triple RS-485 receivers designed for shaft encoder receiver applications. A shaft encoder is an electromechanical transducer that converts mechanical rotary motion into three RS-485 differential signals. Two signals, A (A and \bar{A}) and B (B and \bar{B}) provide incremental pulses as the shaft turns, while the index signal, Z (Z and \bar{Z}) occurs only once per revolution to allow synchronization of the shaft to a known position. Digital signal processing (DSP) techniques are used to count the pulses and provide feedback of both shaft position and shaft velocity for a stable positioning system.

Shaft encoders typically transmit RS-485 signals over twisted-pair cables since the signal often has to travel across a noisy electrical environment (Figure 7).

Detecting Faults

Signal integrity from the shaft encoder to the DSP is essential for reliable system operation. Degraded signals could cause problems ranging from simple miscounts to loss of position. In an industrial environment, many problems can occur within the three twisted pairs. The MAX3097E/MAX3098E can detect various types of common faults, including a low-input-level signal, open-circuit wires, short-circuit wires, and an input signal outside the common-mode input voltage range of the receiver.

Detecting Short Circuits

In Figure 8, if wires A and \bar{A} are shorted together, then A and \bar{A} will be at the same potential, so the difference in the voltage between the two will be approximately 0. This causes fault A to trigger since the difference between A - \bar{A} is less than the differential fault threshold.

Detecting Open-Circuit Conditions

Detecting an open-circuit condition is similar to detecting a short-circuit condition and relies on the terminating resistor being across A and \bar{A} . For example, if the wire drops out of the \bar{A} terminal, A pulls \bar{A} through the terminating resistor to look like the same signal. In this condition, V_{ID} is approximately 0 and a fault occurs.

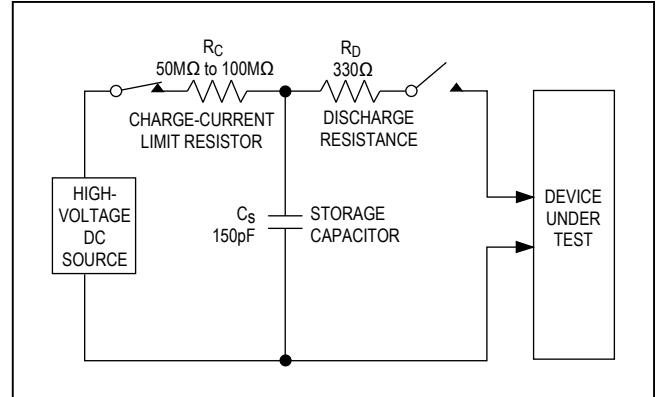


Figure 6a. IEC 1000-4-2 ESD Test Model

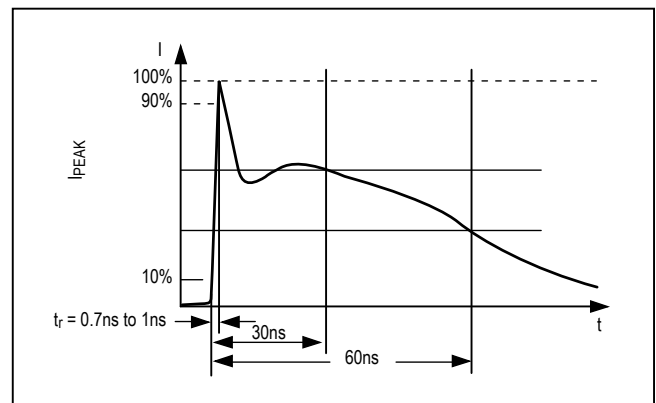


Figure 6b. IEC 1000-4-2 ESD Generator Current Waveform

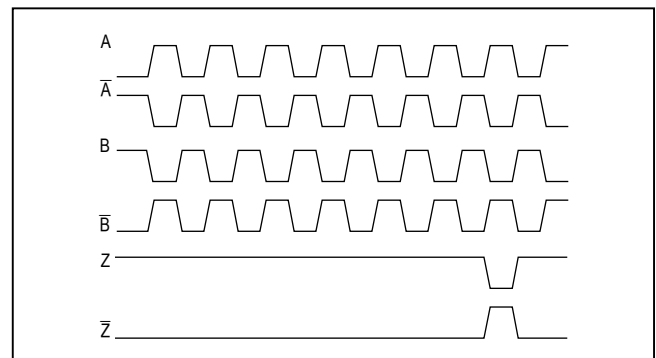


Figure 7. Typical Shaft Encoder Output

Common-Mode Range

The MAX3097E/MAX3098E contain circuitry that detects if the input stage is going outside its useful common-mode range. If the received data could be unreliable, a fault signal is triggered.

Detecting Low Input Differential

Due to cable attenuation on long wire runs, it is possible that $V_{ID} < 200\text{mV}$, and incorrect data will be received. In this condition, a fault will be indicated.

Delayed Fault Output

The delayed fault output provides a programmable blanking delay to allow transient faults to occur without triggering an alarm. Such faults may occur with slow signals triggering the receiver alarm through the zero crossover region.

Figure 9 shows the delayed alarm output.

ALARMD performs a logic OR of ALARMA, ALARMB, and ALARMZ (Figure 10). A NOR gate drives an Nchannel MOSFET so that in normal operation with no faults, the current source (10µA, typ) is shunted to ground. Upon activation of any alarm from receiver A, B, or Z,

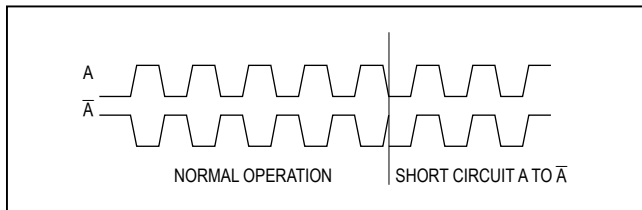


Figure 8. Short-Circuit Detection

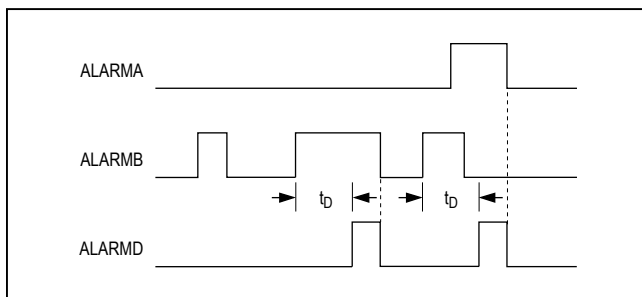


Figure 9. Delayed Alarm Output

the MOSFET is turned off, allowing the current source to charge C_{DELAY} . When V_{DELAY} exceeds the DELAY threshold, the comparator output, ALARMD, goes high. ALARMD is reset when all receiver alarms go low, quickly discharging C_{DELAY} to ground.

Setting Delay Time

ALARMD's delay time is set with a single capacitor connected from DELAY to GND. The delay comparator threshold varies with supply voltage, and the C_{DELAY} value can be determined for a given time delay period from the Capacitance vs. ALARMD Output Delay graph in the [Typical Operating Characteristics](#) or using the following equations:

$$t_D = 15 + 0.33 \times C_{DELAY} \text{ (for } V_{CC} = 5\text{V)}$$

and

$$t_D = 10 + 0.187 \times C_{DELAY} \text{ (for } V_{CC} = 3\text{V)}$$

where t_D is in µs and C_{DELAY} is in pF.

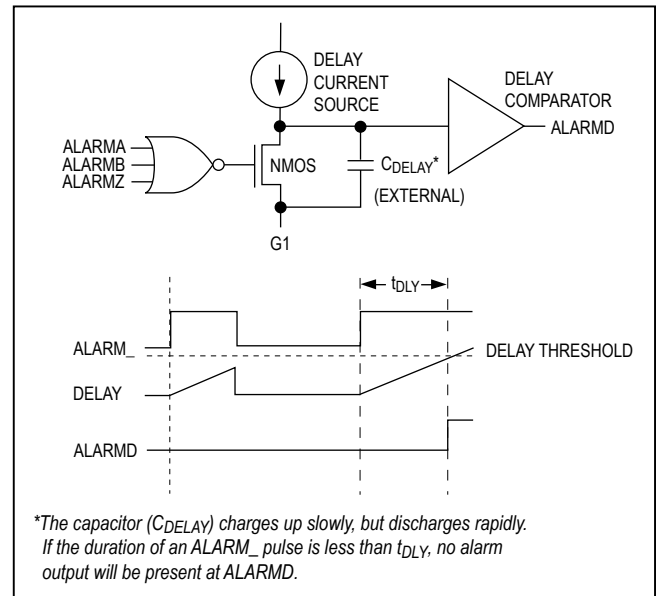


Figure 10. ALARMD Simplified Schematic

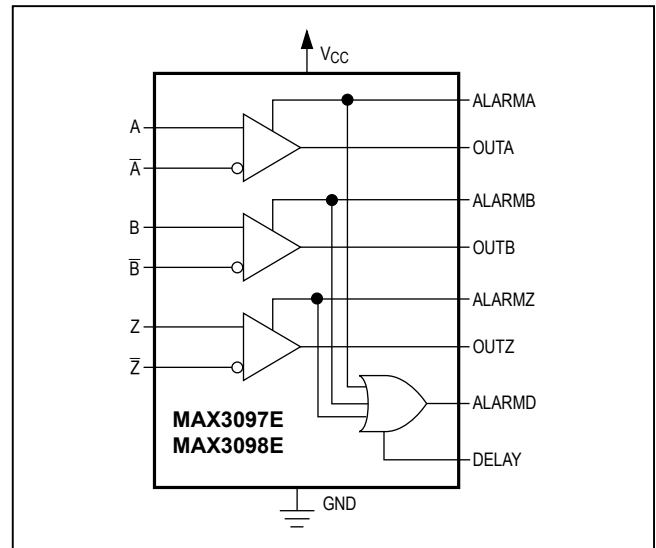
MAX3097E/MAX3098E

±15kV ESD-Protected, 32Mbps, 3V/5V,
Triple RS-422/RS-485 Receivers
with Fault Detection

Ordering Information (continued)

| PART | TEMP. RANGE | PIN-PACKAGE |
|----------------------|----------------|----------------|
| MAX3097ECPE | 0°C to +70°C | 16 Plastic DIP |
| MAX3097EEEE | -40°C to +85°C | 16 QSOP |
| MAX3097EESE | -40°C to +85°C | 16 SO |
| MAX3097EEPE | -40°C to +85°C | 16 Plastic DIP |
| MAX3098E ACEE | 0°C to +70°C | 16 QSOP |
| MAX3098EACSE | 0°C to +70°C | 16 SO |
| MAX3098EACPE | 0°C to +70°C | 16 Plastic DIP |
| MAX3098EAEEEE | -40°C to +85°C | 16 QSOP |
| MAX3098EAESE | -40°C to +85°C | 16 SO |
| MAX3098EAPE | -40°C to +85°C | 16 Plastic DIP |
| MAX3098EBCEE | 0°C to +70°C | 16 QSOP |
| MAX3098EBCSE | 0°C to +70°C | 16 SO |
| MAX3098EBCPE | 0°C to +70°C | 16 Plastic DIP |
| MAX3098EBEEEE | -40°C to +85°C | 16 QSOP |
| MAX3098EBESE | -40°C to +85°C | 16 SO |
| MAX3098EBEPE | -40°C to +85°C | 16 Plastic DIP |

Functional Diagram



Chip Information

TRANSISTOR COUNT: 675

PROCESS: CMOS

Package Information

| PACKAGE TYPE | PACKAGE CODE | OUTLINE NO. | LAND PATTERN NO. |
|--------------|--------------|-------------------------|-------------------------|
| 16 PDIP | P16+3 | 21-0043 | — |
| 16 QSOP | E16+1 | 21-0055 | 90-0167 |
| 16 SO | S16+5 | 21-0041 | 90-0097 |

MAX3097E/MAX3098E

±15kV ESD-Protected, 32Mbps, 3V/5V,
Triple RS-422/RS-485 Receivers
with Fault Detection

Revision History

| REVISION NUMBER | REVISION DATE | DESCRIPTION | PAGES CHANGED |
|-----------------|---------------|---|---------------|
| 0 | 7/00 | Initial release | — |
| 1 | 5/19 | Updated <i>Electrical Characteristics</i> and <i>Applications Information</i> | 3, 10 |

For pricing, delivery, and ordering information, please visit Maxim Integrated's online storefront at <https://www.maximintegrated.com/en/storefront/storefront.html>.

Maxim Integrated cannot assume responsibility for use of any circuitry other than circuitry entirely embodied in a Maxim Integrated product. No circuit patent licenses are implied. Maxim Integrated reserves the right to change the circuitry and specifications without notice at any time. The parametric values (min and max limits) shown in the Electrical Characteristics table are guaranteed. Other parametric values quoted in this data sheet are provided for guidance.