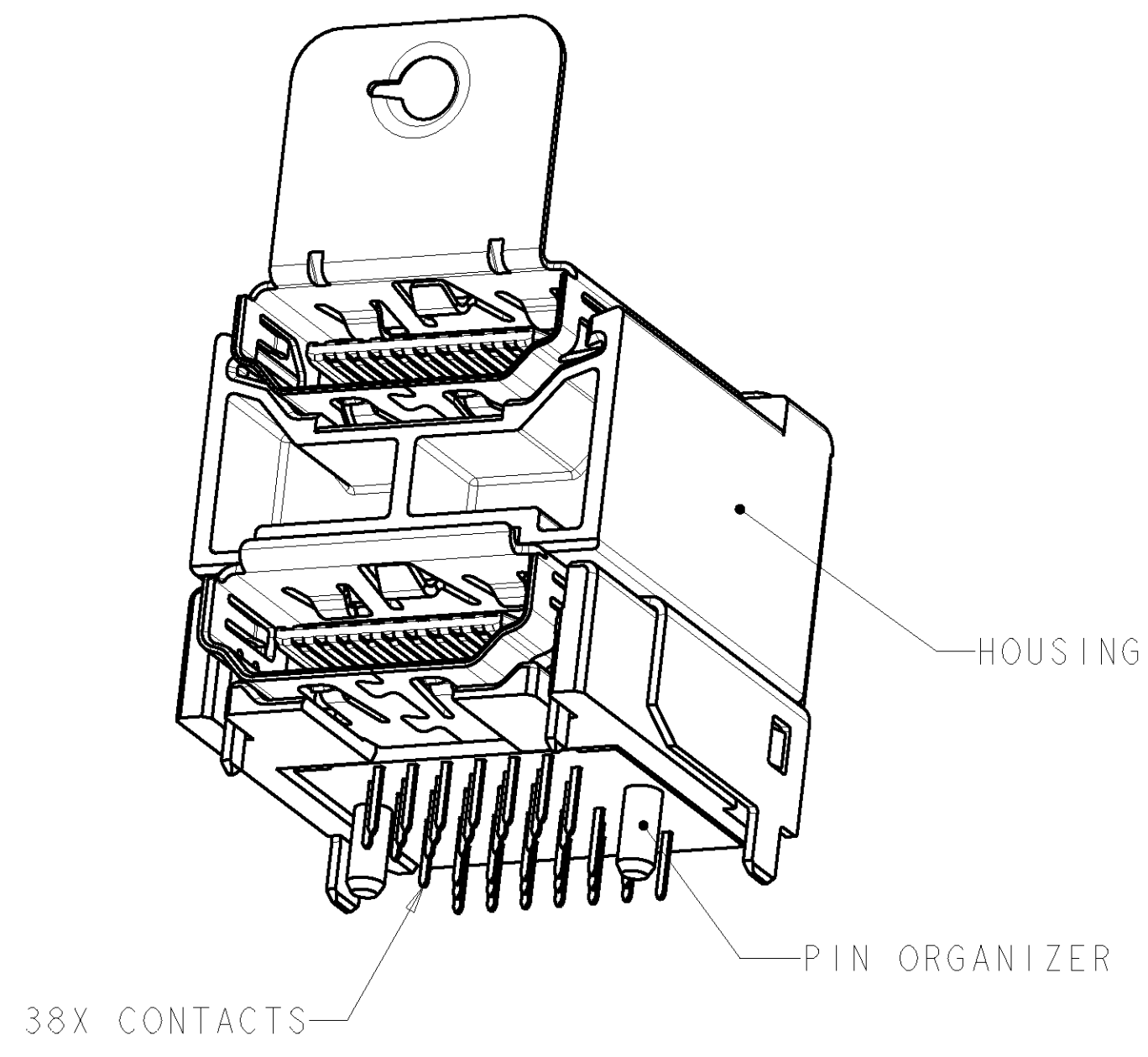
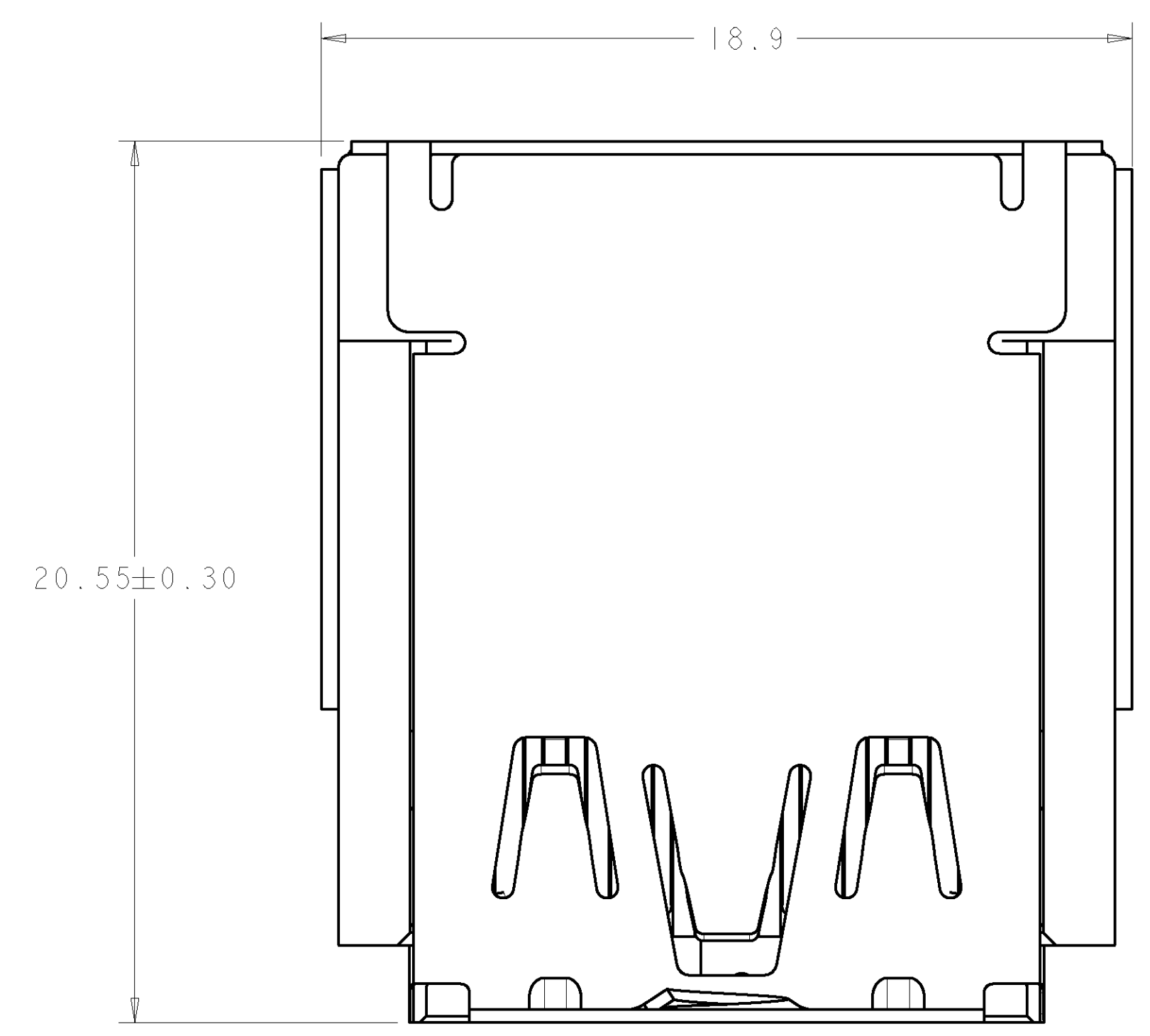
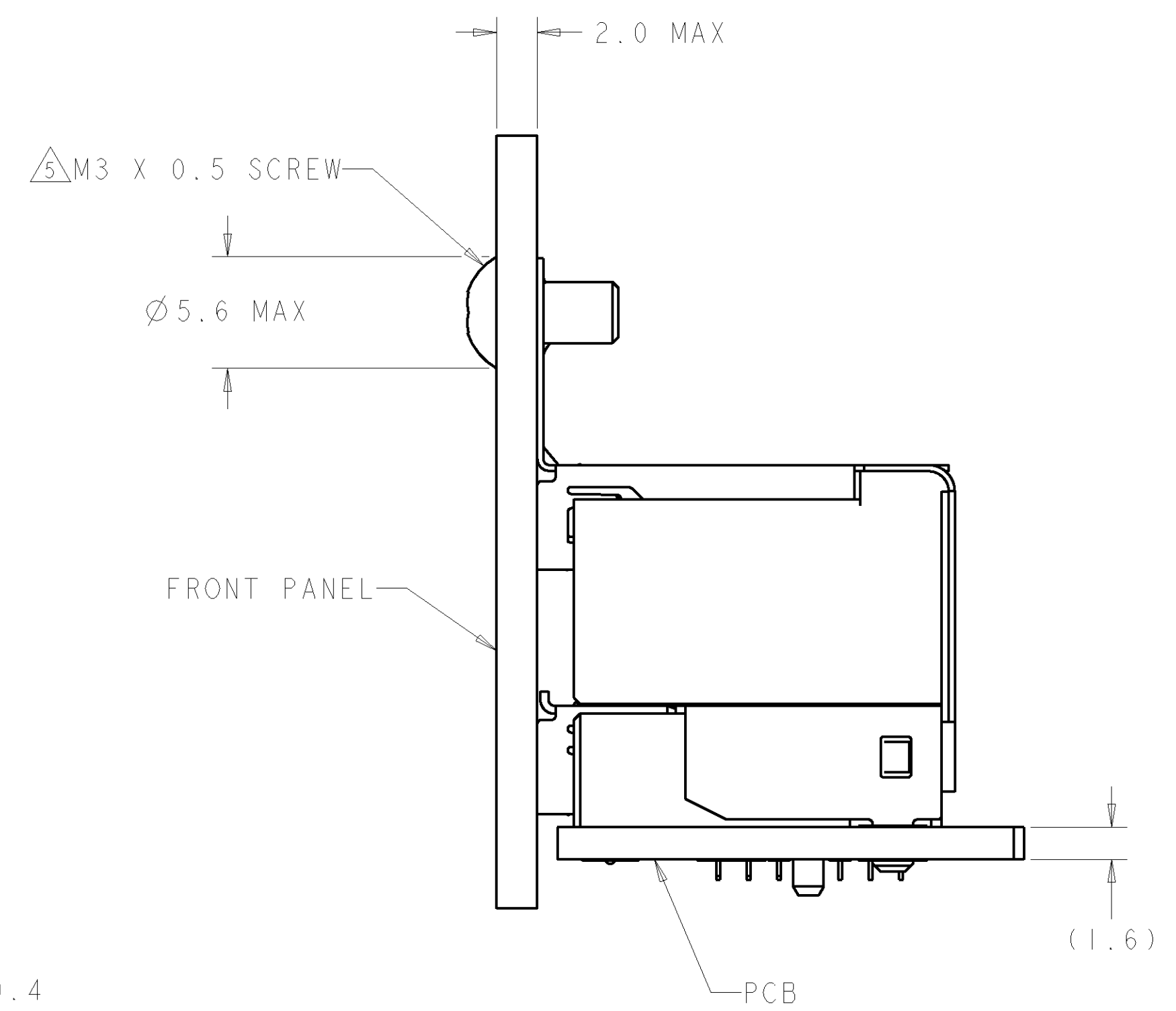
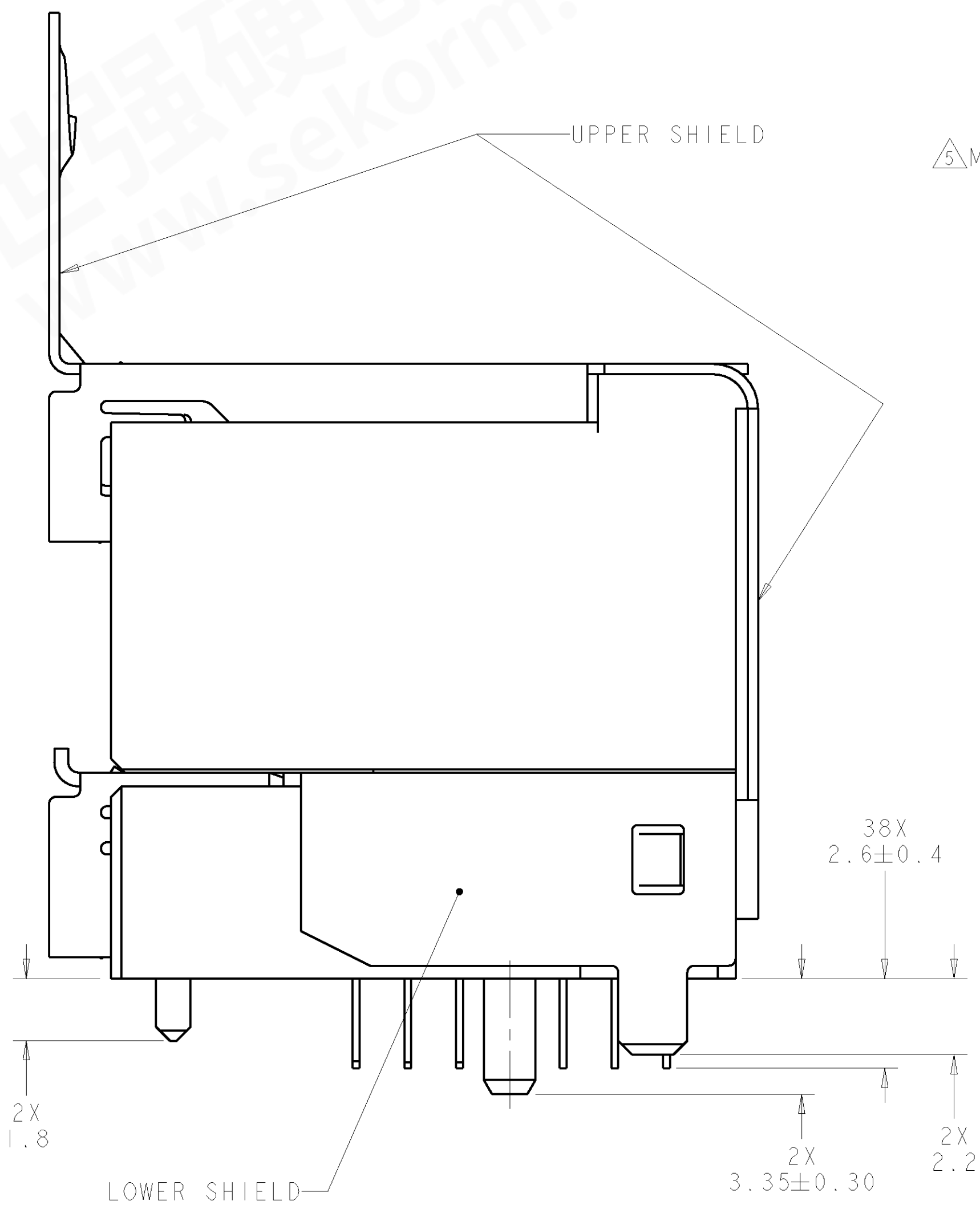
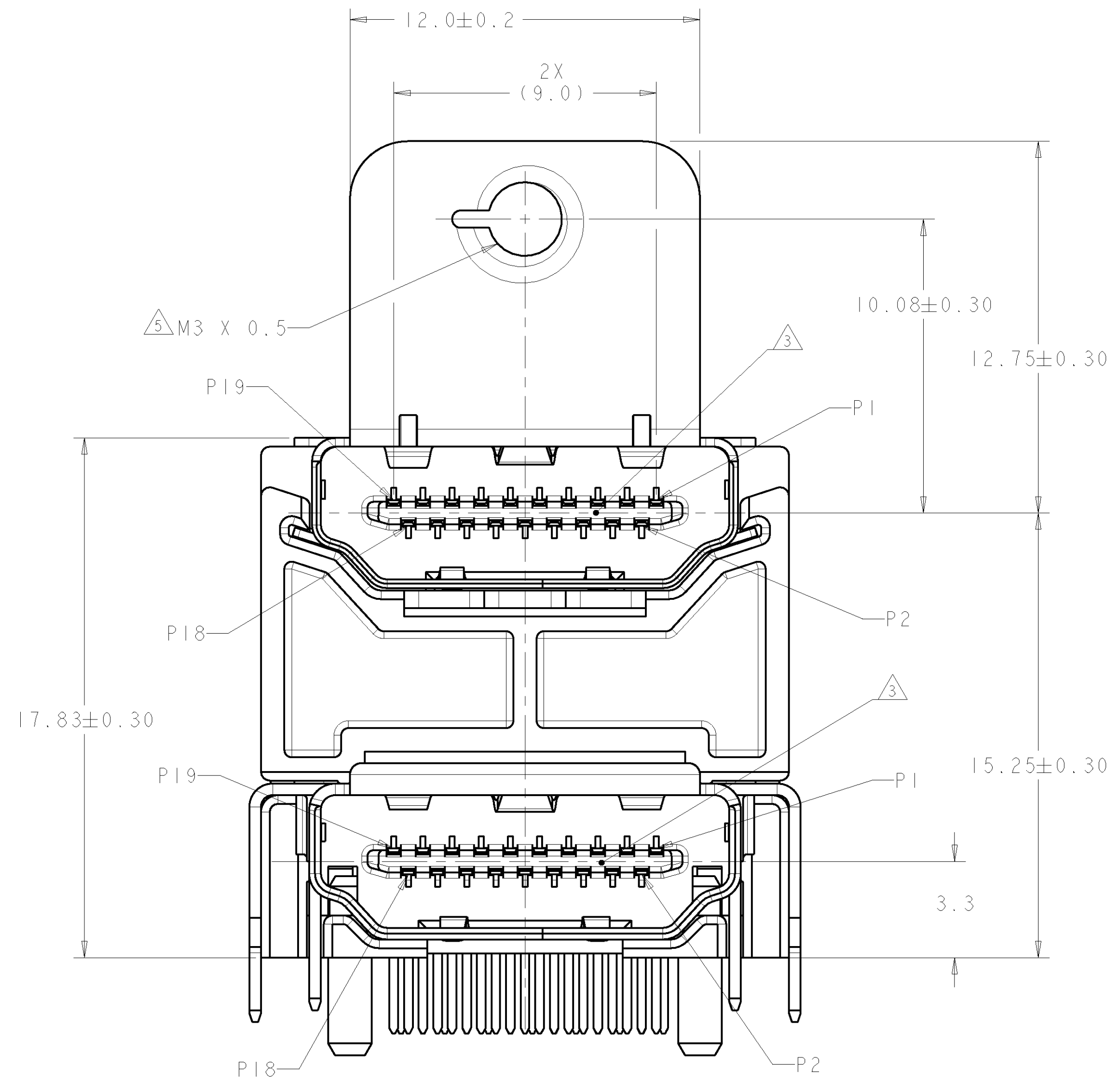


LOC		DIST		REVISIONS			
GP	00	REV	DATE	BY	CHK	APPV	DATE
A1		REVISED PER ECO-11-005033	21APR11	RK	HMR		



ISOMETRIC VIEW
SCALE 4:1

- 1 MATERIALS:
HOUSING & PIN ORGANIZER: HIGH TEMP THERMOPLASTIC, UL94V-0, BLACK.
CONTACTS: COPPER ALLOY
SHIELDS: STAINLESS STEEL
- 2 FINISH:
CONTACTS:
GOLD FLASH OVER
PALLADIUM-NICKEL PLATE, 0.3µm MIN TOTAL ON THE MATING SURFACE,
2µm MIN TIN PLATE ON THE SOLDER-TAIL,
2µm MIN NICKEL UNDERPLATE ON THE ENTIRE CONTACT.
OR
0.3µm MIN GOLD PLATE ON THE MATING SURFACE,
2µm MIN TIN PLATE ON THE SOLDER-TAIL,
2µm MIN NICKEL UNDERPLATE ON THE ENTIRE CONTACT.
LOWER SHIELD:
0.75µm MIN TIN OVER
0.8µm MIN NICKEL UNDERPLATE
- 3 INTERFACE DIMENSIONS ARE PER HDMI SPECIFICATION VERSION 1.3a.
4. WAVE SOLDER COMPATIBLE PER 109-202, CONDITION B, NO CLEAN FLUX IS RECOMMENDED.
- 5 APPLIED TORQUE MUST NOT EXCEED 4 kg-cm (3.47 in-lbs).
- 6 HOLES INDICATED ARE NOT REQUIRED FOR MOUNTING OF 1888811-1 BUT MUST BE ADDED TO ENABLE INTERCHANGEABILITY WITH 1746679.

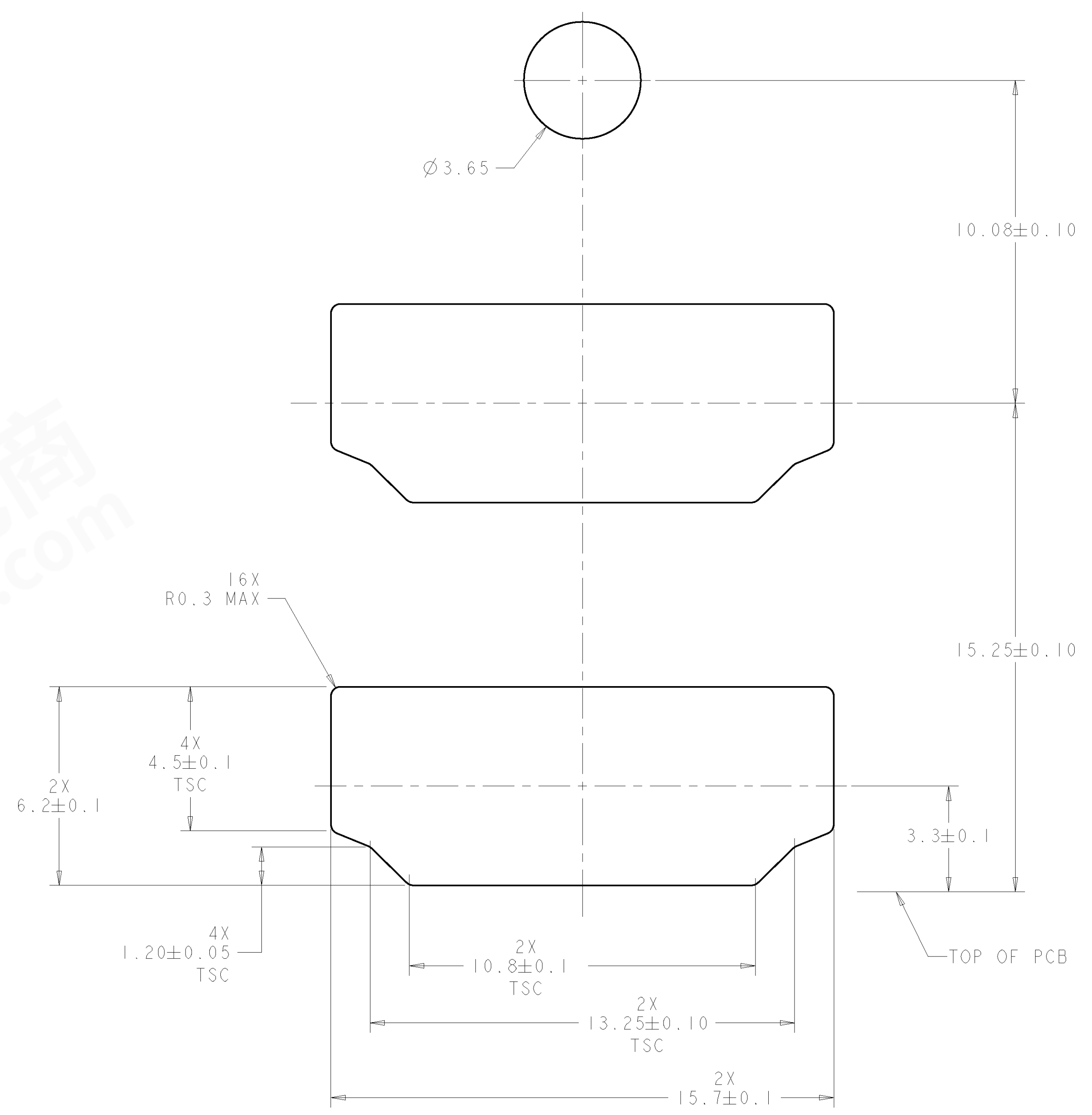
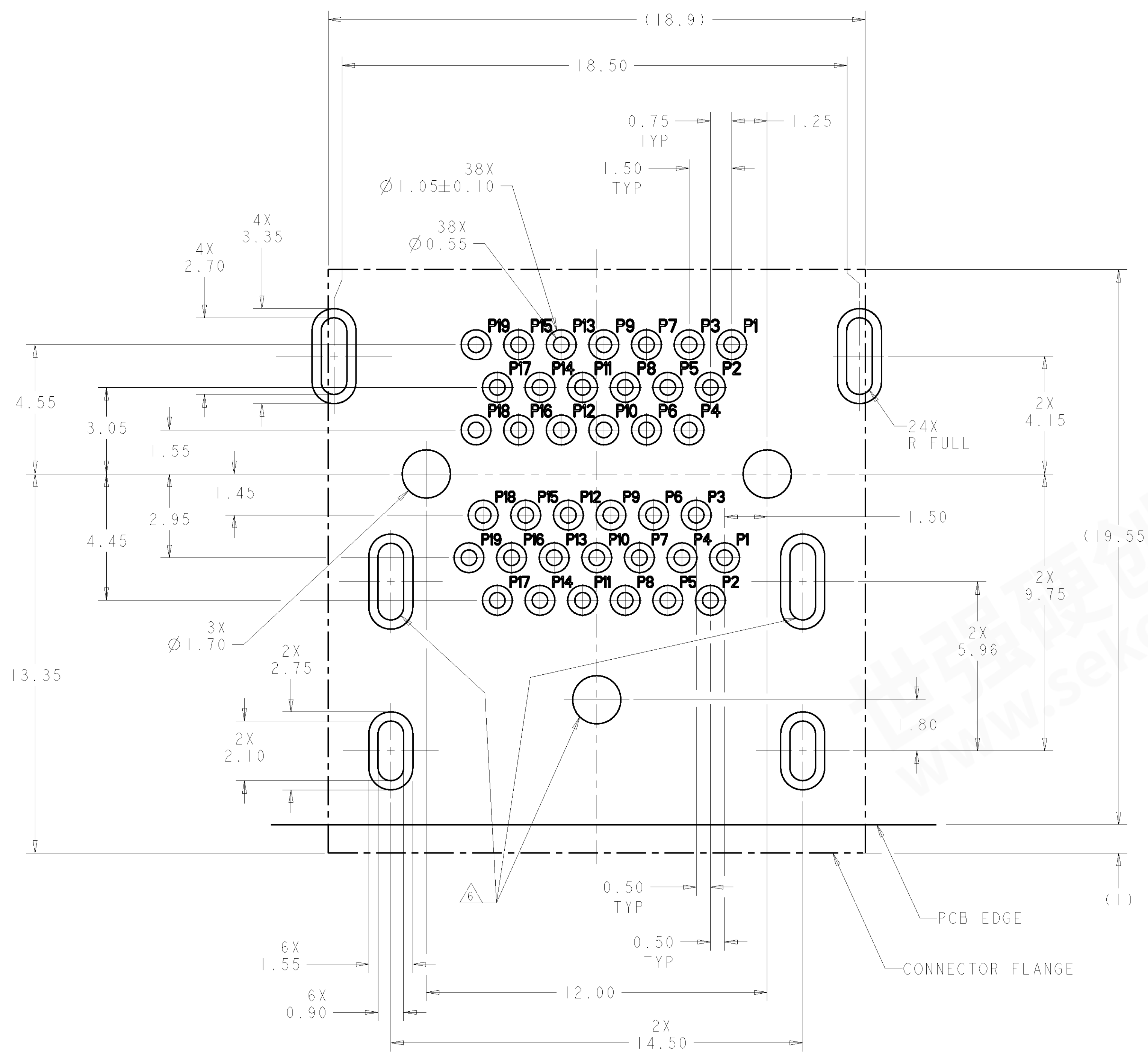


INSTALLED CONDITION VIEW
SCALE 4:1

1888811-1
PART NO

DIMENSIONS:		TOLERANCES UNLESS OTHERWISE SPECIFIED:		DWG: J. McCLINTON 16 JAN 2007		TE Connectivity	
mm	0 PLC ±0.3	1 PLC ±0.3	2 PLC ±0.05	3 PLC ±0.05	4 PLC ±0.05	APVD: J. McCLELLAN 16 JAN 2007	NAME: CONNECTOR ASSEMBLY, HDMI STACKED
	ANGLES ±0.1			APVD: J. REISINGER 16 JAN 2007		PRODUCT SPEC: -	
MATERIAL: 1		FINISH: 2		WEIGHT: -		APPLICATION SPEC: -	
CUSTOMER DRAWING		SCALE: 8:1		SHEET: 1 OF 2		REV: A1	

LOC	DIST	REV	DATE	BY	APPD
GP	00				
REVISIONS			DESCRIPTION	DATE	DWN
			SEE SHEET 1		



PCB LAYOUT
SHOWN FROM CONNECTOR SIDE
TOLERANCES ARE NON-CUMULATIVE
SCALE 10:1

RECOMMENDED PANEL CUTOUT
SCALE 10:1

DIMENSIONS:		TOLERANCES UNLESS OTHERWISE SPECIFIED:		DWN: J. McCLINTON 16 JAN 2007		REV: J. McCLELLAN 16 JAN 2007		APVD: J. REISLINGER 16 JAN 2007		NAME: J. REISLINGER	
mm		0 PLC ± 0.3		1 PLC ± 0.3		3 PLC ± 0.05		4 PLC ± 0.05		APVD: J. REISLINGER	
MATERIAL: SEE SHEET 1		FINISH: SEE SHEET 1		WEIGHT: -		SIZE: CAGE CODE: DRAWING NO: A100779C-1888811		RESTRICTED TO: -		SCALE: 8:1 SHEET 2 OF 2 REV A1	
CUSTOMER DRAWING				STE TE Connectivity							
				CONNECTOR ASSEMBLY, HDMI STACKED							