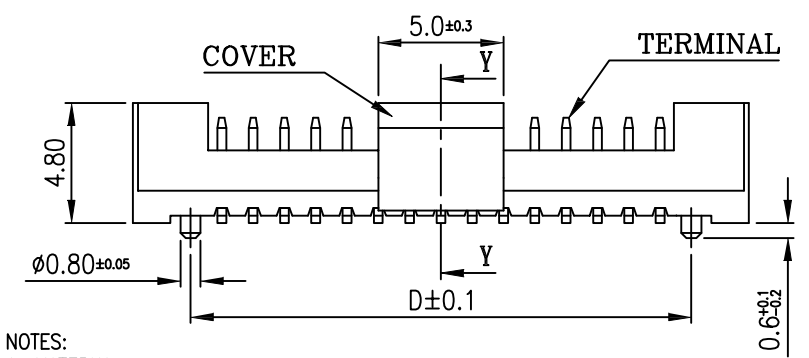
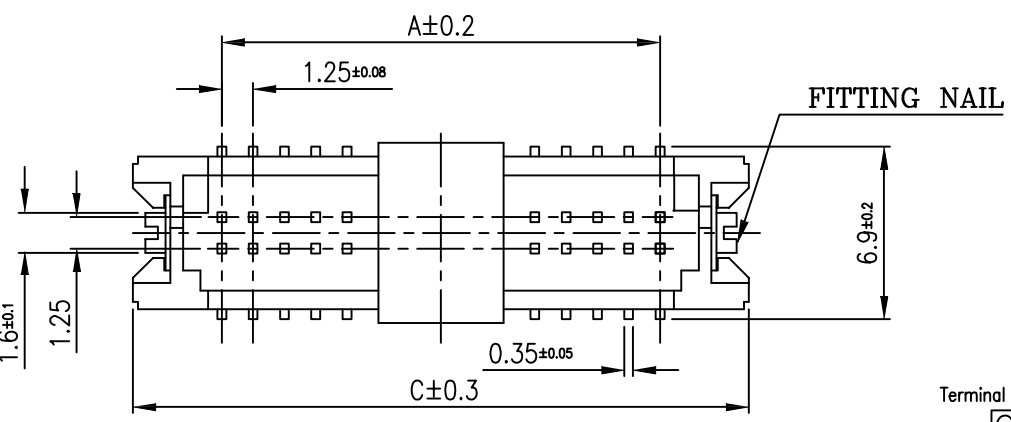
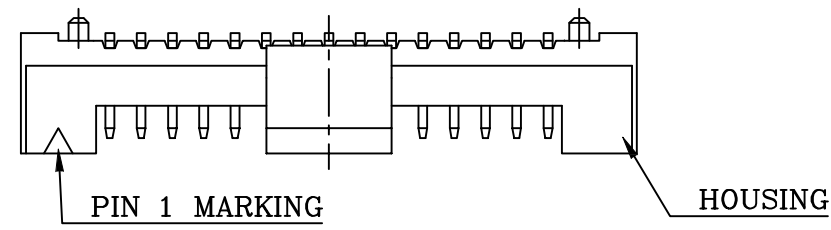
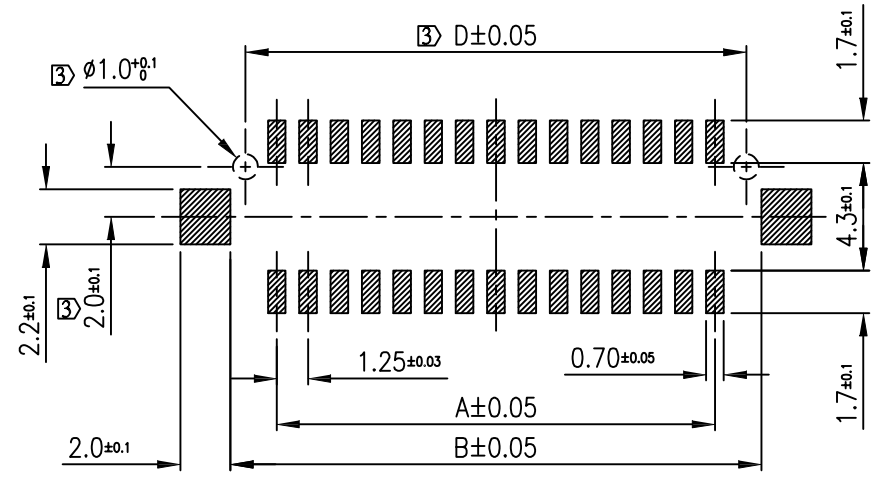


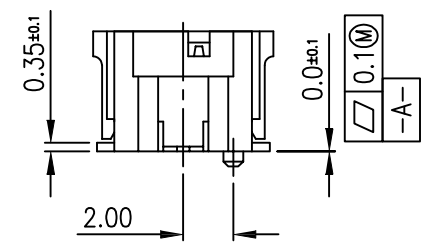
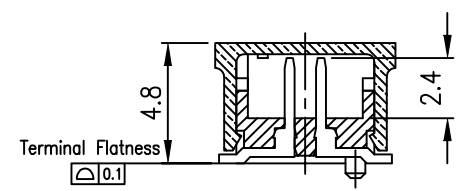
修 订 REV NO	标 记 MARK	修 改 描 要 REVISION DESCRIPTION	签 名 SIGNATURE	日 期 DATE
		NEW DRG		2016-03-12



- NOTES:
- MATERIAL:
 - HOUSING: THERMOPLASTIC, HIGH TEMP.,UL94V-0; COLOR:NATURAL OR BLACK. 无卤PA6T
 - CONTACT: BRASS
 - FITTING NAIL: BRASS
 - VACUUM COVER:THERMOPLASTIC, HIGH TEMP.,UL94V-0; COLOR:NATURAL OR BLACK.
 - PLATING 100U" SN OVER 50U" NI
 - DIMENSION FOR W/H BOSS
 - REFLOW SOLDER CAPABLE TO 260°C
PFP SPFC



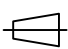
RECOMMENDED PATTERN



CKT	D1MA	D1MB	D1MC	D1MD
10	5.00	8.7	12.3	7.5
20	11.25	14.95	18.65	13.75
30	17.5	21.20	24.8	20.00
40	23.75	27.45	31.10	26.25
12	6.25	9.95	13.35	8.75
14	7.5	11.2	14.6	10.00
18	10.00	13.70	17.1	12.5



深圳市华德共创科技有限公司
Shenzhen Huade co-create Technology Co.,LTD
电话: 0755-27111225 传真: 0755-29940187

-TOLERANCES- UNLESS OTHERWISE SPECIFIED 公差参数表		 	TITLE: 产品名称: DF13 1.25间距双排立贴针座				
X.X	± 0.30	X.X*	$\pm 3^\circ$	APPD: 核准:		PART NO: 产品编号: HDGC1252WV-S-2XnP	
X.XX	± 0.20	X.XX*	$\pm 2^\circ$	CHECK: 校对: 王建业		DATE	SCALE
X.XXX	± 0.10	X.XXX*	$\pm 1^\circ$	DRAW: 绘图: 黄艳兰		2016-03-12	1:1
				UNIT	CODE NUMBER	mm	A001