



SOT23, Low-Power μ P Supervisory Circuits with Battery Backup and Chip-Enable Gating

General Description

The MAX6365–MAX6368 supervisory circuits simplify power-supply monitoring, battery-backup control functions, and memory write protection in microprocessor (μ P) systems. The circuits significantly improve the size, accuracy, and reliability of modern systems with an ultra-small integrated solution.

These devices perform four basic system functions:

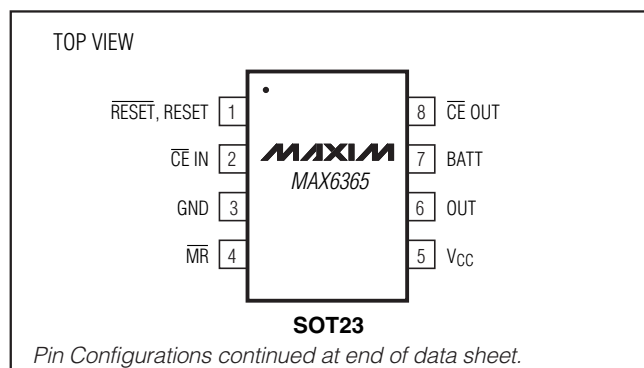
- 1) Provide a μ P reset output during V_{CC} supply power-up, power-down, and brownout conditions.
- 2) Internally control V_{CC} to backup-battery switching to maintain data or low-power operation for CMOS RAM, CMOS μ Ps, real-time clocks, and other digital logic when the main supply fails.
- 3) Provide memory write protection through internal chip-enable gating during supply or processor faults.
- 4) Include one of the following options: a manual reset input (MAX6365), a watchdog timer function (MAX6366), a battery-on output (MAX6367), or an auxiliary user-adjustable reset input (MAX6368).

The MAX6365–MAX6368 operate from V_{CC} supply voltages as low as 1.2V. The factory preset reset threshold voltages range from 2.32V to 4.63V (see the *Ordering Information*). In addition, each part is offered in three reset output versions: push-pull active low, open-drain active low, or open-drain active high (see the *Selector Guide*). The MAX6365–MAX6368 are available in miniature 8-pin SOT23 packages.

Applications

| | |
|--|------------------------------------|
| Critical μ P/ μ C Power Monitoring | Portable/Battery-Powered Equipment |
| Fax Machines | Set-Top Boxes |
| Industrial Control | POS Equipment |
| Computers/Controllers | |

Pin Configurations



Features

- ◆ Low +1.2V Operating Supply Voltage (V_{CC} or V_{BATT})
- ◆ Precision Monitoring of +5.0V, +3.3V, +3.0V, and +2.5V Power-Supply Voltages
- ◆ On-Board Gating of Chip-Enable Signals, 1.5ns Propagation Delay
- ◆ Debounced Manual Reset Input (MAX6365)
- ◆ Watchdog Timer, 1.6s Timeout (MAX6366)
- ◆ Battery-On Output Indicator (MAX6367)
- ◆ Auxiliary User-Adjustable RESET IN (MAX6368)
- ◆ Low 10 μ A Quiescent Supply Current
- ◆ Three Available Output Structures
 - Push-Pull RESET
 - Open-Drain RESET
 - Open-Drain RESET
- ◆ RESET/RESET Valid Down to 1.2V Guaranteed (V_{CC} or V_{BATT})
- ◆ Power-Supply Transient Immunity
- ◆ 150ms min Reset Timeout Period
- ◆ Miniature 8-Pin SOT23 Package

Ordering Information

| PART* | TEMP RANGE | PIN-PACKAGE |
|-----------------|----------------|-------------|
| MAX6365LKA__-T | -40°C to +85°C | 8 SOT23 |
| MAX6365PKA__-T | -40°C to +85°C | 8 SOT23 |
| MAX6365HKA__-T | -40°C to +85°C | 8 SOT23 |
| MAX6366LKA__-T | -40°C to +85°C | 8 SOT23 |
| MAX6366PKA__-T | -40°C to +85°C | 8 SOT23 |
| MAX6366HKA__-T | -40°C to +85°C | 8 SOT23 |
| MAX6367LKA__-T | -40°C to +85°C | 8 SOT23 |
| MAX6367PKA__-T | -40°C to +85°C | 8 SOT23 |
| MAX6367PKA__V-T | -40°C to +85°C | 8 SOT23 |
| MAX6367HKA__-T | -40°C to +85°C | 8 SOT23 |
| MAX6368LKA__-T | -40°C to +85°C | 8 SOT23 |
| MAX6368PKA__-T | -40°C to +85°C | 8 SOT23 |
| MAX6368HKA__-T | -40°C to +85°C | 8 SOT23 |

*These parts offer a choice of reset threshold voltages. From the *Reset Threshold Ranges* table, insert the desired threshold voltage code in the blank to complete the part number. SOT parts come in tape and reel only and must be ordered in 2500-piece increments. See *Device Marking Codes* for a complete parts list, including SOT top marks and standard threshold versions. See *Selector Guide* for a listing of device features.

Devices are available in both leaded and lead(Pb)-free packaging. Specify lead-free by replacing “-T” with “+T” when ordering.

-Denotes a package containing lead(Pb).

T = Tape and reel.

V Denotes an automotive qualified part.

Typical Operating Circuit appears at end of data sheet.



SOT23, Low-Power μ P Supervisory Circuits with Battery Backup and Chip-Enable Gating

ABSOLUTE MAXIMUM RATINGS

Terminal Voltages (with respect to GND)

| | |
|--|-------------------------------|
| V_{CC} , BATT, OUT | -0.3V to +6V |
| \overline{RESET} (open drain), RESET (open drain) | -0.3V to +6V |
| BATT ON, \overline{RESET} (push-pull), RESET IN, WDI, \overline{CE} IN, \overline{CE} OUT | -0.3V to ($V_{OUT} + 0.3V$) |
| MR | -0.3V to ($V_{CC} + 0.3V$) |

Input Current

| | |
|---------------------------|-------|
| V_{CC} Peak | 1A |
| V_{CC} Continuous | 250mA |
| BATT Peak | 250mA |
| BATT Continuous | 40mA |
| GND | 75mA |

Output Current

| | |
|--|---|
| OUT | Short-Circuit Protected for up to 10s |
| RESET, \overline{RESET} , BATT ON, \overline{CE} OUT | 20mA |
| Continuous Power Dissipation ($T_A = +70^\circ\text{C}$) | |
| 8-Pin SOT23 (derate 8.75mW/ $^\circ\text{C}$ above $+70^\circ\text{C}$) | 700mW |
| Operating Temperature Range | -40°C to $+85^\circ\text{C}$ |
| Storage Temperature Range | -65°C to $+150^\circ\text{C}$ |
| Junction Temperature | $+150^\circ\text{C}$ |
| Lead Temperature (soldering, 10s) | $+300^\circ\text{C}$ |
| Soldering Temperature (reflow) | |
| Lead (Pb)-free packages | $+260^\circ\text{C}$ |
| Packages containing lead (Pb) | $+240^\circ\text{C}$ |

Stresses beyond those listed under "Absolute Maximum Ratings" may cause permanent damage to the device. These are stress ratings only, and functional operation of the device at these or any other conditions beyond those indicated in the operational sections of the specifications is not implied. Exposure to absolute maximum rating conditions for extended periods may affect device reliability.

ELECTRICAL CHARACTERISTICS

($V_{CC} = +2.4V$ to $+5.5V$, $V_{BATT} = +3.0V$, \overline{CE} IN = V_{CC} , reset not asserted, $T_A = -40^\circ\text{C}$ to $+85^\circ\text{C}$. Typical values are at $T_A = +25^\circ\text{C}$, unless otherwise noted.) (Note 1)

| PARAMETER | SYMBOL | CONDITIONS | MIN | TYP | MAX | UNITS |
|--|-----------------------|--------------------------------------|--|-------------------|-------|---------------|
| Operating Voltage Range (Note 2) | V_{CC} , V_{BATT} | No load | 0 | | 5.5 | V |
| Supply Current (Excluding I_{OUT}) | I_{CC} | No load, $V_{CC} > V_{TH}$ | $V_{CC} = 2.8V$ | 10 | 30 | μA |
| | | | $V_{CC} = 3.6V$ | 12 | 35 | |
| | | | $V_{CC} = 5.5V$ | 15 | 50 | |
| Supply Current in Battery-Backup Mode (Excluding I_{OUT}) | I_{BACK} | $V_{BATT} = 2.8V$, $V_{CC} = 0V$ | $T_A = +25^\circ\text{C}$ | | 1 | μA |
| | | | $T_A = -40^\circ\text{C}$ to $+85^\circ\text{C}$ | | 3 | |
| BATT Standby Current | I_{BATT} | $5.5V > V_{CC} > (V_{BATT} + 0.2V)$ | $T_A = +25^\circ\text{C}$ | -0.10 | +0.02 | μA |
| | | | $T_A = -40^\circ\text{C}$ to $+85^\circ\text{C}$ | -1.00 | +0.05 | |
| V_{CC} to OUT On-Resistance | R_{ON} | $V_{CC} = 4.75V$, $I_{OUT} = 150mA$ | | | 3.1 | Ω |
| | | $V_{CC} = 3.15V$, $I_{OUT} = 65mA$ | | | 3.7 | |
| | | $V_{CC} = 2.38V$, $I_{OUT} = 25mA$ | | | 4.6 | |
| Output Voltage in Battery-Backup Mode | V_{OUT} | $V_{BATT} = 4.5V$, $I_{OUT} = 20mA$ | | $V_{BATT} - 0.2$ | | V |
| | | $V_{BATT} = 3.0V$, $I_{OUT} = 10mA$ | | $V_{BATT} - 0.15$ | | |
| | | $V_{BATT} = 2.25V$, $I_{OUT} = 5mA$ | | $V_{BATT} - 0.15$ | | |
| Battery-Switchover Threshold ($V_{CC} - V_{BATT}$) | V_{SW} | $V_{CC} < V_{TH}$ | Power-up | | 20 | mV |
| | | | Power-down | | -20 | |
| Reset Threshold | V_{TH} | MAX636__KA46 | 4.50 | 4.63 | 4.75 | V |
| | | MAX636__KA44 | 4.25 | 4.38 | 4.50 | |
| | | MAX636__KA31 | 3.00 | 3.08 | 3.15 | |
| | | MAX636__KA29 | 2.85 | 2.93 | 3.00 | |
| | | MAX636__KA26 | 2.55 | 2.63 | 2.70 | |
| | | MAX636__KA23 | 2.25 | 2.32 | 2.38 | |
| V_{CC} Falling Reset Delay | trD | V_{CC} falling at 10V/ms | | 20 | | μs |

SOT23, Low-Power μ P Supervisory Circuits with Battery Backup and Chip-Enable Gating

MAX6365-MAX6368

ELECTRICAL CHARACTERISTICS (continued)

($V_{CC} = +2.4V$ to $+5.5V$, $V_{BATT} = +3.0V$, \overline{CE} IN = V_{CC} , reset not asserted, $T_A = -40^\circ C$ to $+85^\circ C$. Typical values are at $T_A = +25^\circ C$, unless otherwise noted.) (Note 1)

| PARAMETER | SYMBOL | CONDITIONS | | MIN | TYP | MAX | UNITS |
|---|-----------|---|--|--------------------------|------|--------------------------|-----------|
| Reset Active Timeout Period | t_{RP} | | | 150 | | 280 | ms |
| \overline{RESET} Output Voltage | V_{OL} | Reset asserted, $V_{BATT} = 0V$ | $I_{SINK} = 1.6mA$, $V_{CC} \geq 2.1V$ | | | 0.3 | V |
| | | | $I_{SINK} = 100\mu A$, $V_{CC} \geq 1.2V$ | | | 0.4 | |
| | V_{OH} | Reset not asserted (MAX636_L only) | $I_{SOURCE} = 500\mu A$, $V_{CC} \geq V_{TH(MAX)}$ | $0.8 \times$ V_{CC} | | | |
| RESET Output Voltage | V_{OL} | Reset not asserted | $I_{SINK} = 1.6mA$, $V_{CC} \geq V_{TH(MAX)}$ | | | 0.3 | V |
| | | | $I_{SOURCE} = 1mA$, $V_{CC} \geq 1.8V$ | $0.7 \times$ V_{CC} | | | |
| | V_{OH} | Reset not asserted, $V_{BATT} = 0V$ (MAX636_H only) (Note 3) | $I_{SOURCE} = 200\mu A$, $V_{CC} \geq 1.2V$ | $0.8 \times$ V_{CC} | | | |
| \overline{RESET} Output Leakage Current | I_{LKG} | MAX636_P and MAX636_H only | | | | 1 | μA |
| MANUAL RESET (MAX6365 only) | | | | | | | |
| \overline{MR} Input Voltage | V_{IL} | | | | | $0.3 \times$ V_{CC} | V |
| | V_{IH} | | | $0.7 \times$ V_{CC} | | | |
| Pullup Resistance | | | | 20 | | | $k\Omega$ |
| Minimum Pulse Width | | | | 1 | | | μs |
| Glitch Immunity | | $V_{CC} = 3.3V$ | | | 100 | | ns |
| \overline{MR} to Reset Delay | | $V_{CC} = 3.3V$ | | | 120 | | ns |
| WATCHDOG (MAX6366 only) | | | | | | | |
| Watchdog Timeout Period | t_{WD} | | | 1.00 | 1.65 | 2.25 | s |
| Minimum WDI Input Pulse Width | t_{WDI} | | | 100 | | | ns |
| WDI Input Voltage | V_{IL} | | | | | $0.3 \times$ V_{CC} | V |
| | V_{IH} | | | $0.7 \times$ V_{CC} | | | |
| WDI Input Current | | | | -1.0 | | 1.0 | μA |
| BATT ON (MAX6367 only) | | | | | | | |
| Output Voltage | V_{OL} | $I_{SINK} = 3.2mA$, $V_{BATT} = 2.1V$ | | | | 0.4 | V |
| Output Short-Circuit Current | | Sink current, $V_{CC} = 5V$ | | | 60 | | mA |
| | | Source current, $V_{BATT} \geq 2V$ | | 10 | 30 | 100 | μA |

SOT23, Low-Power μ P Supervisory Circuits with Battery Backup and Chip-Enable Gating

ELECTRICAL CHARACTERISTICS (continued)

($V_{CC} = +2.4V$ to $+5.5V$, $V_{BATT} = +3.0V$, \overline{CE} IN = V_{CC} , reset not asserted, $T_A = -40^{\circ}C$ to $+85^{\circ}C$. Typical values are at $T_A = +25^{\circ}C$, unless otherwise noted.) (Note 1)

| PARAMETER | SYMBOL | CONDITIONS | MIN | TYP | MAX | UNITS |
|---|-----------|--|-----------------------|------------|----------|----------|
| RESET IN (MAX6368 only) | | | | | | |
| RESET IN Threshold | V_{RTH} | | 1.185 | 1.235 | 1.285 | V |
| RESET IN Leakage Current | | | | ± 0.01 | ± 25 | nA |
| RESET IN to Reset Delay | | $V_{OD} = 50mV$, RESET IN falling | | 1.5 | | μs |
| CHIP-ENABLE GATING | | | | | | |
| \overline{CE} IN Leakage Current | | Reset asserted | | | ± 1 | μA |
| \overline{CE} IN to \overline{CE} OUT Resistance | | Reset not asserted (Note 4) | | 20 | 100 | Ω |
| \overline{CE} OUT Short-Circuit Current | | Reset asserted, $V_{\overline{CE} OUT} = 0V$ | | 0.75 | 2.0 | mA |
| \overline{CE} IN to \overline{CE} OUT Propagation Delay | | 50 Ω source, $C_{LOAD} = 6365$ 50pF | $V_{CC} = 4.75V$ | 1.5 | 7 | ns |
| | | | $V_{CC} = 3.15V$ | 2 | 9 | |
| \overline{CE} OUT Output Voltage High | | $V_{CC} = 5V$, $V_{CC} \geq V_{BATT}$, $I_{SOURCE} = 100\mu A$ | 0.8 \times V_{CC} | | V | |
| | | $V_{CC} = 0V$, $V_{BATT} \geq 2.2V$, $I_{SOURCE} = 1\mu A$ | $V_{BATT} - 0.1$ | | | |
| Reset-to- \overline{CE} OUT Delay | | | | 12 | | μs |

Note 1: All devices are 100% production tested at $T_A = +25^{\circ}C$. Limits over temperature are guaranteed by design.

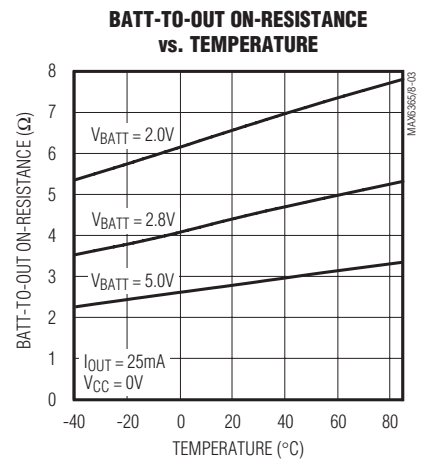
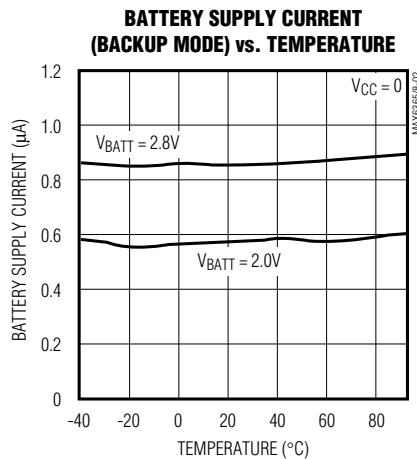
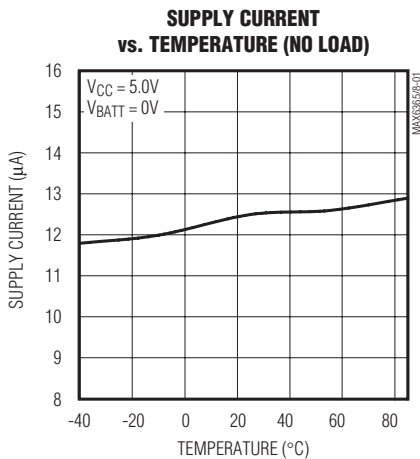
Note 2: V_{BATT} can be 0V anytime, or V_{CC} can go down to 0V if V_{BATT} is active (except at startup).

Note 3: RESET is pulled up to OUT. Specifications apply for OUT = V_{CC} or OUT = BATT.

Note 4: The chip-enable resistance is tested with $V_{CC} = V_{TH(MAX)}$ and $V_{\overline{CE} IN} = V_{CC}/2$.

Typical Operating Characteristics

($T_A = +25^{\circ}C$, unless otherwise noted.)

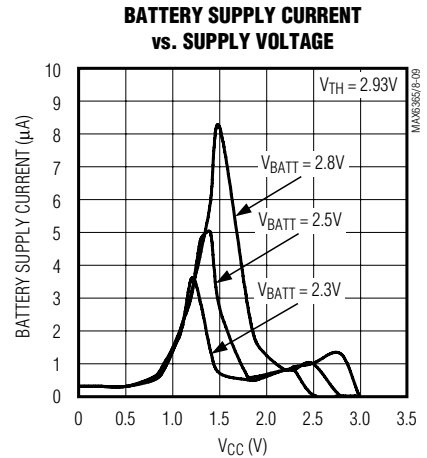
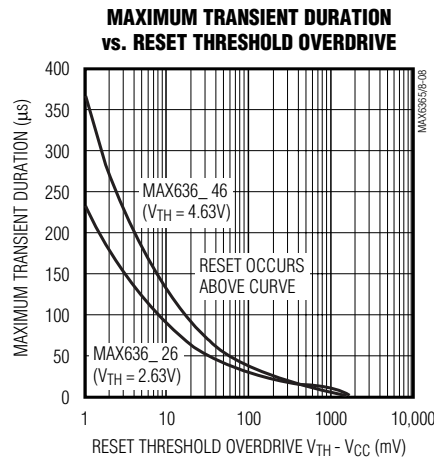
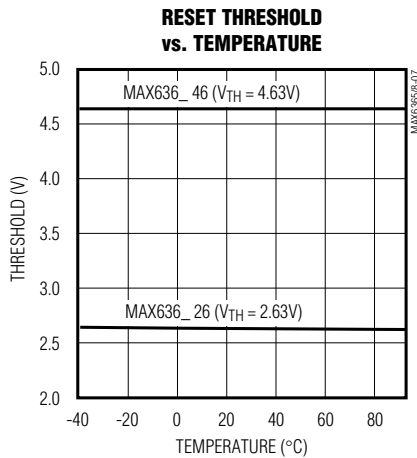
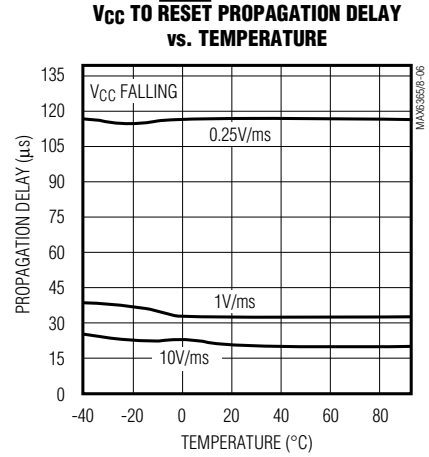
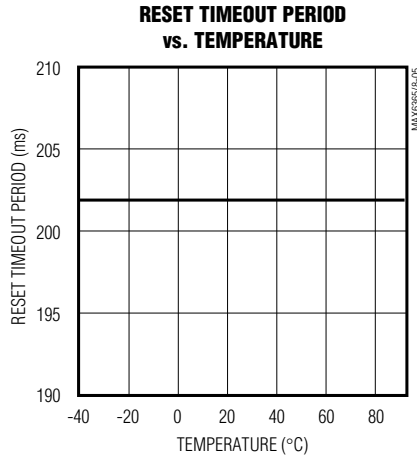
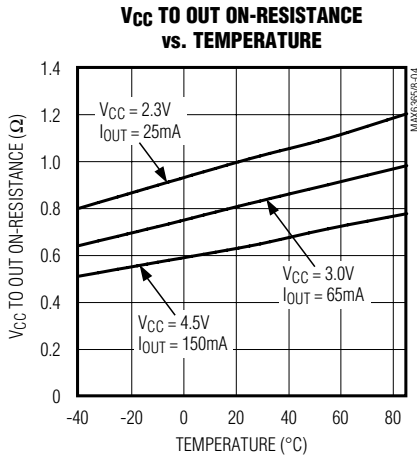


SOT23, Low-Power μ P Supervisory Circuits with Battery Backup and Chip-Enable Gating

Typical Operating Characteristics (continued)

($T_A = +25^\circ\text{C}$, unless otherwise noted.)

MAX6365-MAX6368

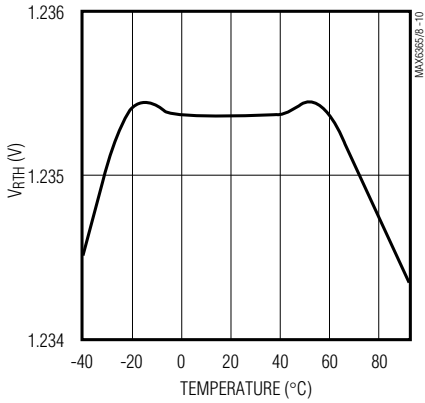


SOT23, Low-Power μ P Supervisory Circuits with Battery Backup and Chip-Enable Gating

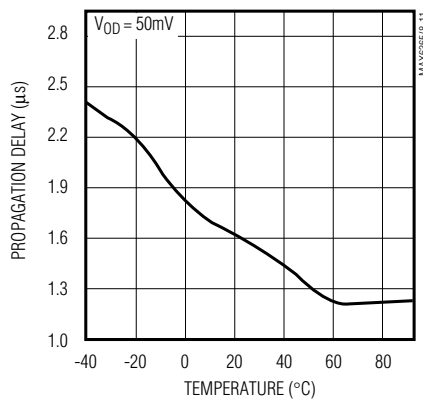
Typical Operating Characteristics (continued)

($T_A = +25^\circ\text{C}$, unless otherwise noted.)

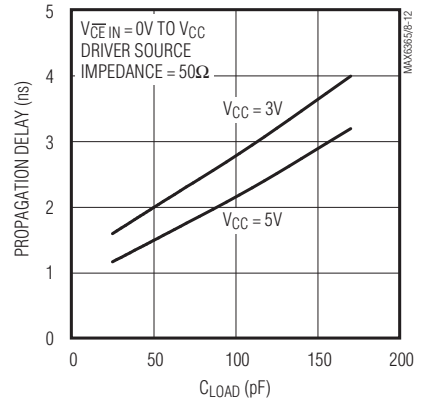
**MAX6368
RESET IN THRESHOLD
vs. TEMPERATURE**



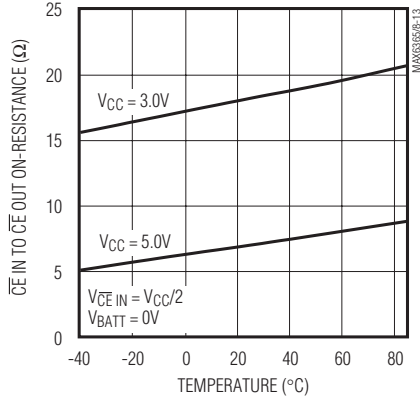
**MAX6368
RESET IN TO RESET PROPAGATION DELAY
vs. TEMPERATURE**



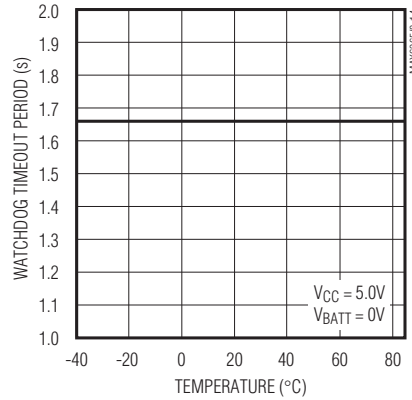
**MAX6368
CHIP-ENABLE PROPAGATION DELAY
vs. $\overline{\text{CE}}$ OUT LOAD CAPACITANCE**



**MAX6368
 $\overline{\text{CE}}$ IN TO $\overline{\text{CE}}$ OUT ON-RESISTANCE
vs. TEMPERATURE**



**MAX6368
WATCHDOG TIMEOUT PERIOD
vs. TEMPERATURE**



SOT23, Low-Power μ P Supervisory Circuits with Battery Backup and Chip-Enable Gating

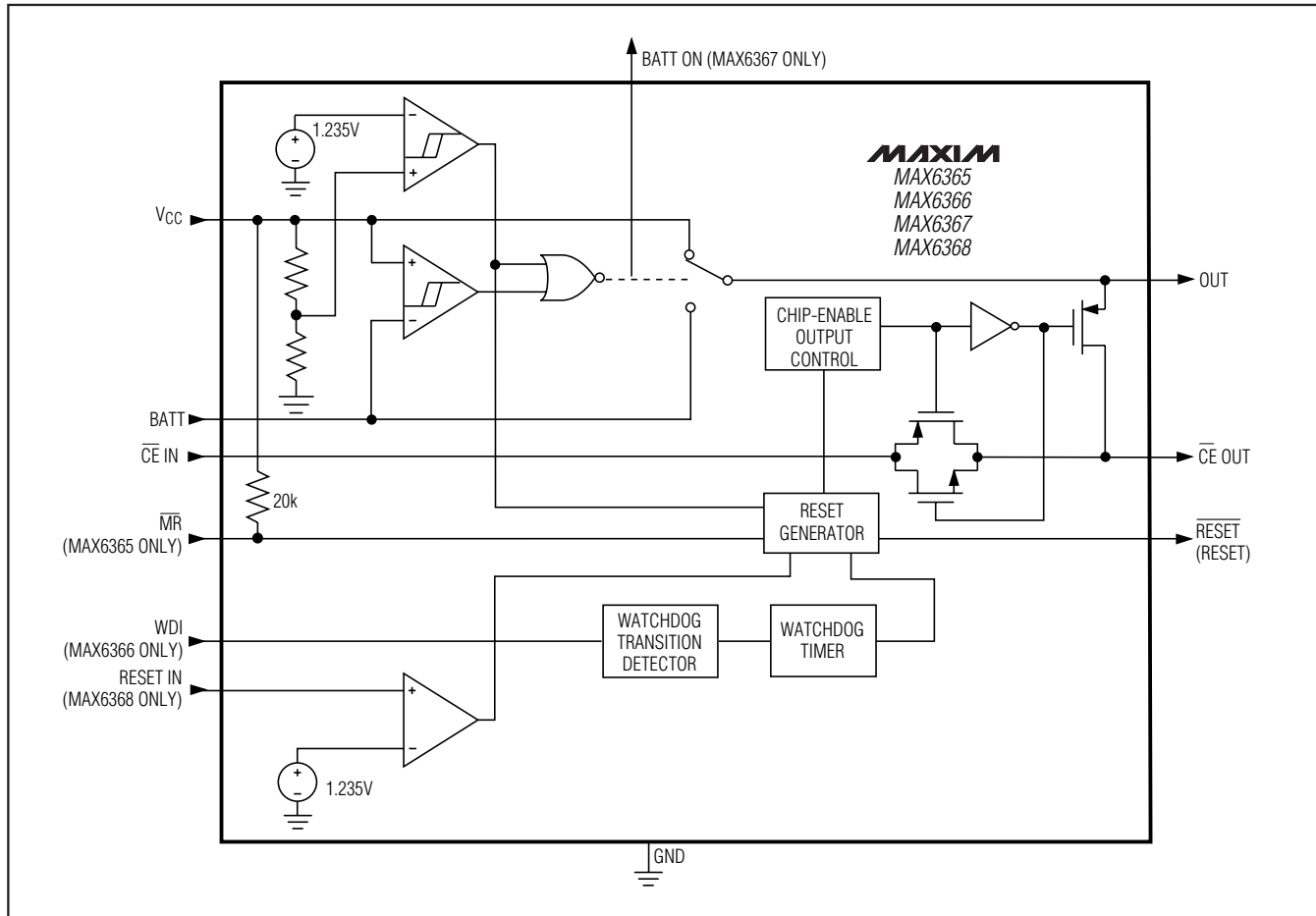
Pin Description

MAX6365-MAX6368

| PIN | NAME | FUNCTION |
|-----|---------------------|--|
| 1 | RESET | Active-High Reset Output. RESET asserts high continuously when V_{CC} is below the reset threshold (V_{TH}), \overline{MR} is low, or RESET IN is low. It asserts in pulses when the internal watchdog times out. RESET remains asserted for the reset timeout period (t_{RP}) after V_{CC} rises above the reset threshold, after the manual reset input goes from low to high, after RESET IN goes high, or after the watchdog triggers a reset event. RESET is an open-drain active-high reset output. |
| | \overline{RESET} | Active-Low Reset Output. \overline{RESET} asserts low continuously when V_{CC} is below the reset threshold (V_{TH}), the manual reset input is low, or RESET IN is low. It asserts low in pulses when the internal watchdog times out. \overline{RESET} remains asserted low for the reset timeout period (t_{RP}) after V_{CC} rises above the reset threshold, after the manual reset input goes from low to high, after RESET IN goes high, or after the watchdog triggers a reset event. The MAX636_L is an active-low push-pull output, while the MAX636_P is an active-low open-drain output. |
| 2 | \overline{CE} IN | Chip-Enable Input. The input to chip-enable gating circuitry. Connect to GND or OUT if not used. |
| 3 | GND | Ground |
| 4 | \overline{MR} | MAX6365 Manual-Reset Input. Maintaining logic low on \overline{MR} asserts a reset. Reset output remains asserted as long as \overline{MR} is low and for the reset timeout period (t_{RP}) after \overline{MR} transitions from low to high. Leave unconnected, or connect to V_{CC} if not used. \overline{MR} has an internal 20k Ω pullup to V_{CC} . |
| | WDI | MAX6366 Watchdog Input. If WDI remains high or low for longer than the watchdog timeout period (t_{WD}), the internal watchdog timer runs out and a reset pulse is triggered for the reset timeout period (t_{RP}). The internal watchdog clears whenever reset asserts or whenever WDI sees a rising or falling edge (Figure 2). |
| | BATT ON | MAX6367 Battery-On Output. BATT ON goes high when in battery-backup mode. |
| | RESET IN | MAX6368 Reset Input. When RESET IN falls below 1.235V, reset asserts. Reset output remains asserted as long as RESET IN is low and for at least t_{RP} after RESET IN goes high. |
| 5 | V_{CC} | Supply Voltage, 1.2V to 5.5V. Reset asserts when V_{CC} drops below the reset threshold voltage (V_{TH}). Reset remains asserted until V_{CC} rises above V_{TH} and for at least t_{RP} after V_{CC} rises above V_{TH} . |
| 6 | OUT | Output. OUT sources from V_{CC} when not in reset and from the greater of V_{CC} or BATT when V_{CC} is below the reset threshold. |
| 7 | BATT | Backup-Battery Input. When V_{CC} falls below the reset threshold, OUT switches to BATT if V_{BATT} is 20mV greater than V_{CC} . When V_{CC} rises 20mV above V_{BATT} , OUT switches to V_{CC} . The 40mV hysteresis prevents repeated switching if V_{CC} falls slowly. |
| 8 | \overline{CE} OUT | Chip-Enable Output. \overline{CE} OUT goes low only when \overline{CE} IN is low and reset is not asserted. If \overline{CE} IN is low when reset is asserted, \overline{CE} OUT will stay low for 12 μ s (typ) or until \overline{CE} IN goes high, whichever occurs first. |

SOT23, Low-Power μ P Supervisory Circuits with Battery Backup and Chip-Enable Gating

Functional Diagram



Detailed Description

The *Typical Operating Circuit* shows a typical connection for the MAX6365–MAX6368. OUT powers the static random-access memory (SRAM). If V_{CC} is greater than the reset threshold (V_{TH}), or if V_{CC} is lower than V_{TH} but higher than V_{BATT} , V_{CC} is connected to OUT. If V_{CC} is lower than V_{TH} and V_{CC} is less than V_{BATT} , BATT is connected to OUT. OUT supplies up to 150mA from V_{CC} . In battery-backup mode, an internal MOSFET connects the backup battery to OUT. The on-resistance of the MOSFET is a function of backup-battery voltage and is shown in the BATT-to-OUT On-Resistance vs. Temperature graph in the *Typical Operating Characteristics*.

Chip-Enable Signal Gating

The MAX6365–MAX6368 provide internal gating of \overline{CE} signals to prevent erroneous data from being written to

CMOS RAM in the event of a power failure. During normal operation, the \overline{CE} gate is enabled and passes all \overline{CE} transitions. When reset asserts, this path becomes disabled, preventing erroneous data from corrupting the CMOS RAM. All of these devices use a series transmission gate from \overline{CE} IN to \overline{CE} OUT. The 2ns propagation delay from \overline{CE} IN to \overline{CE} OUT allows the devices to be used with most μ Ps and high-speed DSPs.

During normal operation, \overline{CE} IN is connected to \overline{CE} OUT through a low on-resistance transmission gate. This is valid when reset is not asserted. If \overline{CE} IN is high when reset is asserted, \overline{CE} OUT remains high regardless of any subsequent transitions on \overline{CE} IN during the reset event.

If \overline{CE} IN is low when reset is asserted, \overline{CE} OUT is held low for 12 μ s to allow completion of the read/write operation (Figure 1). After the 12 μ s delay expires, the \overline{CE}

SOT23, Low-Power μ P Supervisory Circuits with Battery Backup and Chip-Enable Gating

OUT goes high and stays high regardless of any subsequent transitions on \overline{CE} IN during the reset event. When \overline{CE} OUT is disconnected from \overline{CE} IN, \overline{CE} OUT is actively pulled up to OUT.

The propagation delay through the chip-enable circuitry depends on both the source impedance of the drive to \overline{CE} IN and the capacitive loading at \overline{CE} OUT. The chip-enable propagation delay is production tested from the 50% point of \overline{CE} IN to the 50% point of \overline{CE} OUT, using a 50 Ω driver and 50pF load capacitance. Minimize the capacitive load at \overline{CE} OUT to minimize propagation delay, and use a low-output-impedance driver.

Backup-Battery Switchover

In a brownout or power failure, it may be necessary to preserve the contents of the RAM. With a backup battery installed at BATT, the MAX6365-MAX6368 automatically switch the RAM to backup power when V_{CC} falls. The MAX6367 has a BATT ON output that goes high in battery-backup mode. These devices require two conditions before switching to battery-backup mode:

- 1) V_{CC} must be below the reset threshold.
- 2) V_{CC} must be below V_{BATT} .

Table 1 lists the status of the inputs and outputs in battery-backup mode. The devices do not power up if the only voltage source is on BATT. OUT only powers up from V_{CC} at startup.

Table 1. Input and Output Status in Battery-Backup Mode

| PIN | STATUS |
|---|--|
| V_{CC} | Disconnected from OUT |
| OUT | Connected to BATT |
| BATT | Connected to OUT. Current drawn from the battery is less than 1 μ A (at $V_{BATT} = 2.8V$, excluding I_{OUT}) when $V_{CC} = 0V$. |
| RESET/ \overline{RESET} | Asserted |
| BATT ON | High state |
| \overline{MR} , RESET IN, \overline{CE} IN, WDI | Inputs ignored |
| \overline{CE} OUT | Connected to OUT |

Manual Reset Input (MAX6365 Only)

Many μ P-based products require manual reset capability, allowing the user or external logic circuitry to initiate a reset. For the MAX6365, a logic low on \overline{MR} asserts reset. Reset remains asserted while \overline{MR} is low and for a minimum of 150ms (t_{RP}) after it returns high. \overline{MR} has an internal 20k Ω pullup resistor to V_{CC} . This input can be driven with TTL/CMOS logic levels or with open-drain/collector outputs. Connect a normally open momentary switch from \overline{MR} to GND to create a manual reset function; external debounce circuitry is not required. If \overline{MR} is driven from long cables or the device is used in a noisy environment, connect a 0.1 μ F capacitor from \overline{MR} to GND to provide additional noise immunity.

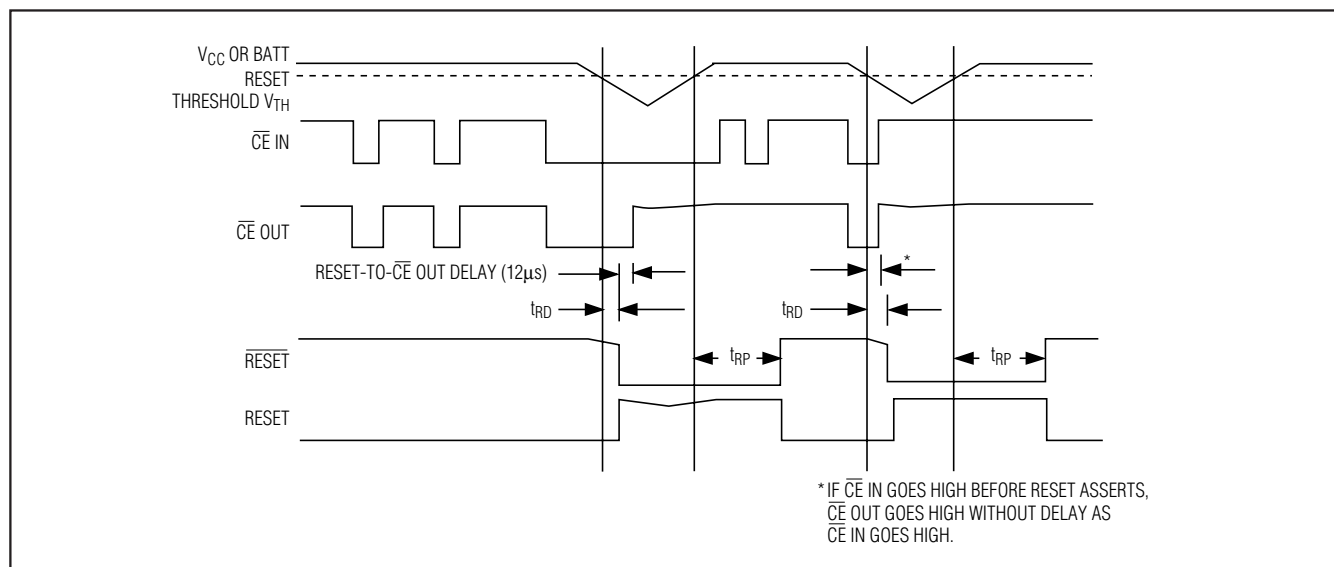


Figure 1. Reset and Chip-Enable Timing

SOT23, Low-Power μ P Supervisory Circuits with Battery Backup and Chip-Enable Gating

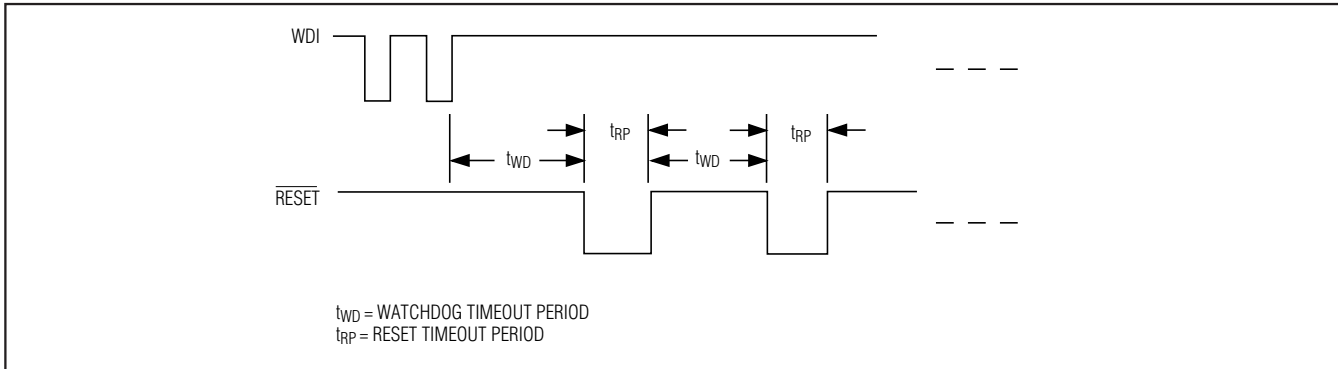


Figure 2. MAX6366 Watchdog Timeout Period and Reset Active Time

Watchdog Input (MAX6366 Only)

The watchdog monitors μ P activity through the watchdog input (WDI). If the μ P becomes inactive, reset asserts. To use the watchdog function, connect WDI to a bus line or μ P I/O line. A change of state (high to low, low to high, or a minimum 100ns pulse) resets the watchdog timer. If WDI remains high or low for longer than the watchdog timeout period (t_{WD}), the internal watchdog timer runs out and a reset pulse is triggered for the reset timeout period (t_{RP}). The internal watchdog timer clears whenever reset asserts or whenever WDI sees a rising or falling edge. If WDI remains in either a high or low state, a reset pulse asserts periodically after every t_{WD} (Figure 2).

BATT ON Indicator (MAX6367 Only)

BATT ON is a push-pull output that drives high when in battery-backup mode. BATT ON typically sinks 3.2mA at 0.1V saturation voltage. In battery-backup mode, this terminal sources approximately 10 μ A from OUT. Use BATT ON to indicate battery-switchover status or to supply base drive to an external pass transistor for higher current applications (Figure 3).

RESET IN Comparator (MAX6368 Only)

RESET IN is compared to an internal 1.235V reference. If the voltage at RESET IN is less than 1.235V, reset asserts. Use the RESET IN comparator as an undervoltage detector to signal a failing power supply or as a secondary power-supply reset monitor.

To program the reset threshold (V_{RTH}) of the secondary power supply, use the following (see *Typical Operating Circuit*):

$$V_{RTH} = V_{REF} (R1 / R2 + 1)$$

where $V_{REF} = 1.235V$. To simplify the resistor selection, choose a value for R2 and calculate R1:

$$R1 = R2 [(V_{RTH} / V_{REF}) - 1]$$

Since the input current at RESET IN is 25nA (max), large values (up to 1M Ω) can be used for R2 with no significant loss in accuracy. For example, in the *Typical Operating Circuit*, the MAX6368 monitors two supply voltages. To monitor the secondary 5V logic or analog supply with a 4.60V nominal programmed reset threshold, choose R2 = 100k Ω , and calculate R1 = 273k Ω .

Reset Output

A μ P's reset input starts the μ P in a known state. The MAX6365-MAX6368 μ P supervisory circuits assert a reset to prevent code-execution errors during power-up, power-down, and brownout conditions. RESET is guaranteed to be a logic low or logic high, depending on the device chosen (see the *Ordering Information*). RESET or $\overline{\text{RESET}}$ asserts when V_{CC} is below the reset threshold and for at least 150ms (t_{RP}) after V_{CC} rises above the reset threshold. RESET or $\overline{\text{RESET}}$ also asserts when $\overline{\text{MR}}$ is low (MAX6365) and when RESET IN is less than 1.235V (MAX6368). The MAX6366 watchdog function will cause RESET (or $\overline{\text{RESET}}$) to assert in pulses following a watchdog timeout (Figure 2).

Applications Information

Operation Without a Backup Power Source

The MAX6365-MAX6368 provide battery-backup functions. If a backup power source is not used, connect BATT to GND and OUT to V_{CC} .

SOT23, Low-Power μ P Supervisory Circuits with Battery Backup and Chip-Enable Gating

Watchdog Software Considerations

One way to help the watchdog timer monitor the software execution more closely is to set and reset the watchdog at different points in the program rather than pulsing the watchdog input periodically. Figure 4 shows a flow diagram in which the I/O driving the watchdog is set low in the beginning of the program, set high at the beginning of every subroutine or loop, and set low again when the program returns to the beginning. If the program should hang in any subroutine, the problem would be quickly corrected.

Replacing the Backup Battery

When V_{CC} is above V_{TH} , the backup power source can be removed without danger of triggering a reset pulse. The device does not enter battery-backup mode when V_{CC} stays above the reset threshold voltage.

Negative-Going V_{CC} Transients

These supervisors are relatively immune to short-duration, negative-going V_{CC} transients. Resetting the μ P

when V_{CC} experiences only small glitches is usually not desirable.

The *Typical Operating Characteristics* section has a Maximum Transient Duration vs. Reset Threshold Overdrive graph for which reset is not asserted. The graph was produced using negative-going V_{CC} pulses, starting at V_{CC} and ending below the reset threshold by the magnitude indicated (reset threshold overdrive). The graph shows the maximum pulse width that a negative-going V_{CC} transient can typically have without triggering a reset pulse. As the amplitude of the transient increases (i.e., goes further below the reset threshold), the maximum allowable pulse width decreases. Typically, a V_{CC} transient that goes 100mV below the reset threshold and lasts for 30 μ s will not trigger a reset pulse.

A 0.1 μ F bypass capacitor mounted close to the V_{CC} pin provides additional transient immunity.

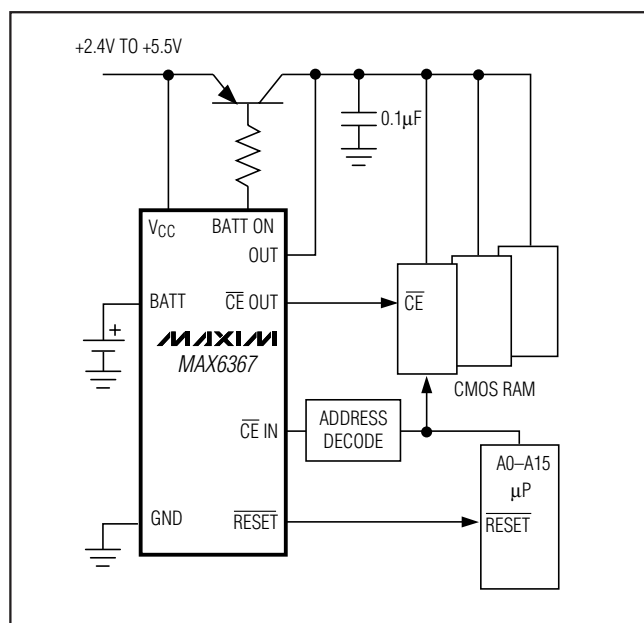


Figure 3. MAX6367 BATT ON Driving an External Pass Transistor

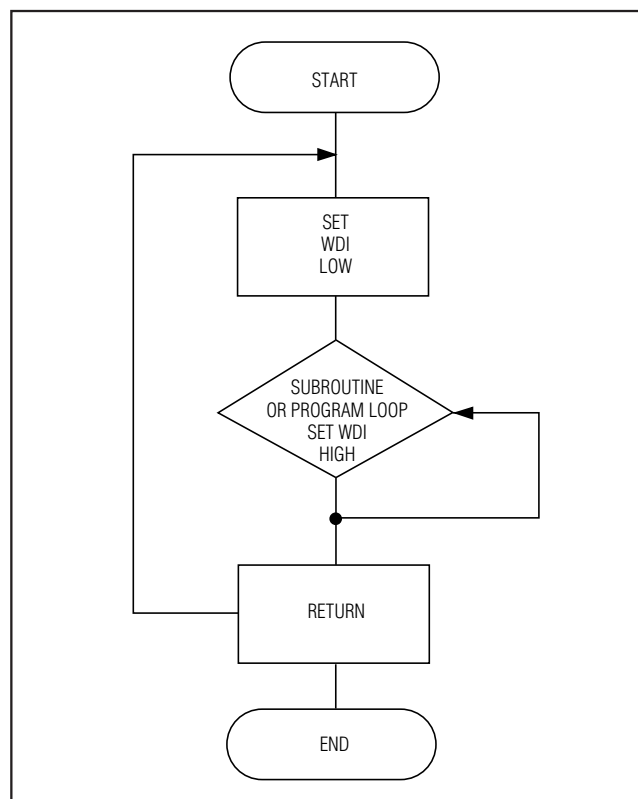


Figure 4. Watchdog Flow Diagram

SOT23, Low-Power μ P Supervisory Circuits with Battery Backup and Chip-Enable Gating

MAX6365-MAX6368

Reset Threshold Ranges

| SUFFIX | RESET THRESHOLD RANGES (V) | | |
|--------|----------------------------|------|------|
| | MIN | TYP | MAX |
| 46 | 4.50 | 4.63 | 4.75 |
| 44 | 4.25 | 4.38 | 4.50 |
| 31 | 3.00 | 3.08 | 3.15 |
| 29 | 2.85 | 2.93 | 3.00 |
| 26 | 2.55 | 2.63 | 2.70 |
| 23 | 2.25 | 2.32 | 2.38 |

Device Marking Codes

| PART | TOP MARK | PART | TOP MARK | PART | TOP MARK |
|---------------|----------|---------------|----------|---------------|----------|
| MAX6365LKA23 | AAAM | MAX6366PKA23 | AABK | MAX6367HKA23 | AACI |
| MAX6365LKA26 | AAAL | MAX6366PKA26 | AABJ | MAX6367HKA26 | AACH |
| MAX6365LKA29* | AAAK | MAX6366PKA29* | AABI | MAX6367HKA29 | AACG |
| MAX6365LKA31 | AAAJ | MAX6366PKA31 | AABH | MAX6367HKA31 | AACF |
| MAX6365LKA44 | AAAI | MAX6366PKA44 | AABG | MAX6367HKA44 | AACE |
| MAX6365LKA46* | AAAH | MAX6366PKA46* | AABF | MAX6367HKA46* | AACD |
| MAX6365PKA23 | AAAS | MAX6366HKA23 | AABQ | MAX6368LKA23 | AACO |
| MAX6365PKA26 | AAAR | MAX6366HKA26 | AABP | MAX6368LKA26 | AACN |
| MAX6365PKA29* | AAAQ | MAX6366HKA29 | AABO | MAX6368LKA29* | AACM |
| MAX6365PKA31 | AAAP | MAX6366HKA31 | AABN | MAX6368LKA31 | AACL |
| MAX6365PKA44 | AAAO | MAX6366HKA44 | AABM | MAX6368LKA44 | AACK |
| MAX6365PKA46* | AAAN | MAX6366HKA46* | AABL | MAX6368LKA46* | AACJ |
| MAX6365HKA23 | AAAY | MAX6367LKA23 | AABW | MAX6368PKA23 | AACU |
| MAX6365HKA26 | AAAX | MAX6367LKA26 | AABV | MAX6368PKA26 | AACT |
| MAX6365HKA29 | AAAW | MAX6367LKA29* | AABU | MAX6368PKA29* | AACS |
| MAX6365HKA31 | AAAV | MAX6367LKA31 | AABT | MAX6368PKA31 | AACR |
| MAX6365HKA44 | AAAU | MAX6367LKA44 | AABS | MAX6368PKA44 | AACQ |
| MAX6365HKA46* | AAAT | MAX6367LKA46* | AABR | MAX6368PKA46* | AACP |
| MAX6366LKA23 | AABE | MAX6367PKA23 | AACC | MAX6368HKA23 | AADA |
| MAX6366LKA26 | AABD | MAX6367PKA26 | AACB | MAX6368HKA26 | AACZ |
| MAX6366LKA29* | AABC | MAX6367PKA29* | AACA | MAX6368HKA29 | AACY |
| MAX6366LKA31 | AABB | MAX6367PKA31 | AABZ | MAX6368HKA31 | AACX |
| MAX6366LKA44 | AABA | MAX6367PKA44 | AABY | MAX6368HKA44 | AACW |
| MAX6366LKA46* | AAAZ | MAX6367PKA46* | AABX | MAX6368HKA46* | AACV |

*These standard versions are available in small quantities through Maxim Distribution. Sample stock is generally held on standard versions only. Contact factory for availability of nonstandard versions.

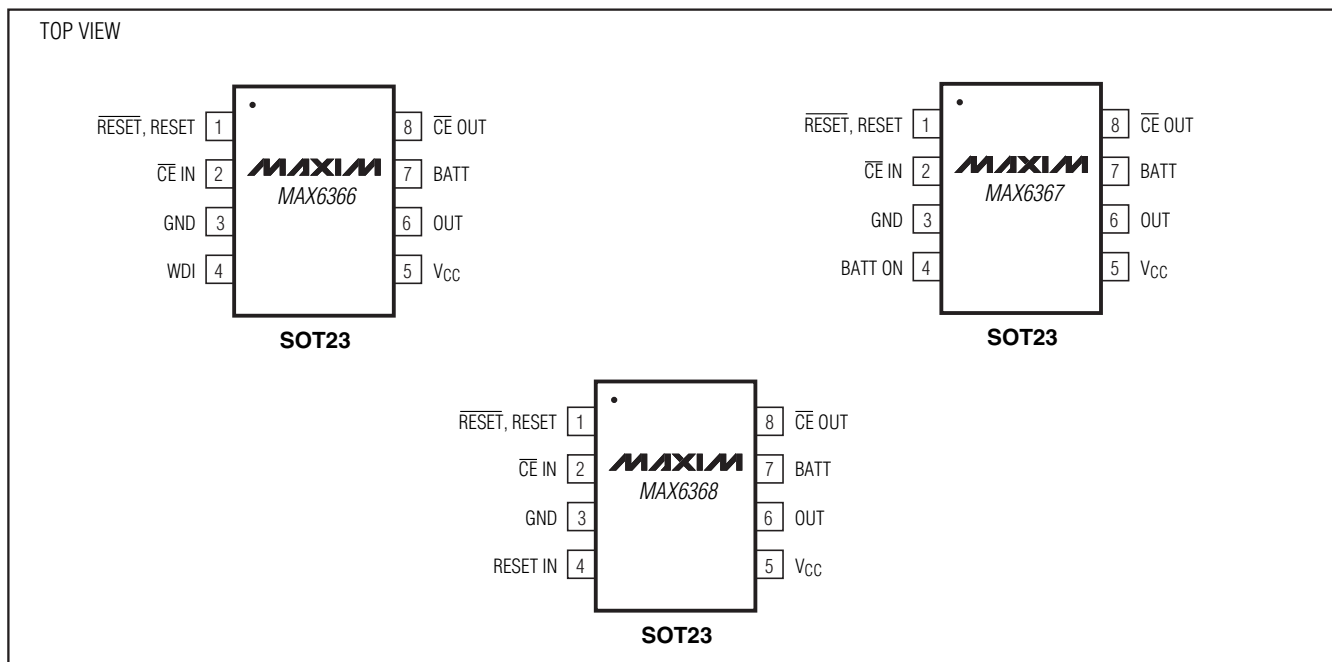
SOT23, Low-Power μ P Supervisory Circuits with Battery Backup and Chip-Enable Gating

Selector Guide

| PART | MANUAL RESET INPUT | WATCH-DOG INPUT | BATT ON | RESET IN | RESET PUSH-PULL | RESET OPEN-DRAIN | RESET OPEN-DRAIN | CHIP-ENABLE GATING |
|--------------|--------------------|-----------------|---------|----------|-----------------|------------------|------------------|--------------------|
| MAX6365LKA__ | ✓ | | | | ✓ | | | ✓ |
| MAX6365PKA__ | ✓ | | | | | ✓ | | ✓ |
| MAX6365HKA__ | ✓ | | | | | | ✓ | ✓ |
| MAX6366LKA__ | | ✓ | | | ✓ | | | ✓ |
| MAX6366PKA__ | | ✓ | | | | ✓ | | ✓ |
| MAX6366HKA__ | | ✓ | | | | | ✓ | ✓ |
| MAX6367LKA__ | | | ✓ | | ✓ | | | ✓ |
| MAX6367PKA__ | | | ✓ | | | ✓ | | ✓ |
| MAX6367HKA__ | | | ✓ | | | | ✓ | ✓ |
| MAX6368LKA__ | | | | ✓ | ✓ | | | ✓ |
| MAX6368PKA__ | | | | ✓ | | ✓ | | ✓ |
| MAX6368HKA__ | | | | ✓ | | | ✓ | ✓ |

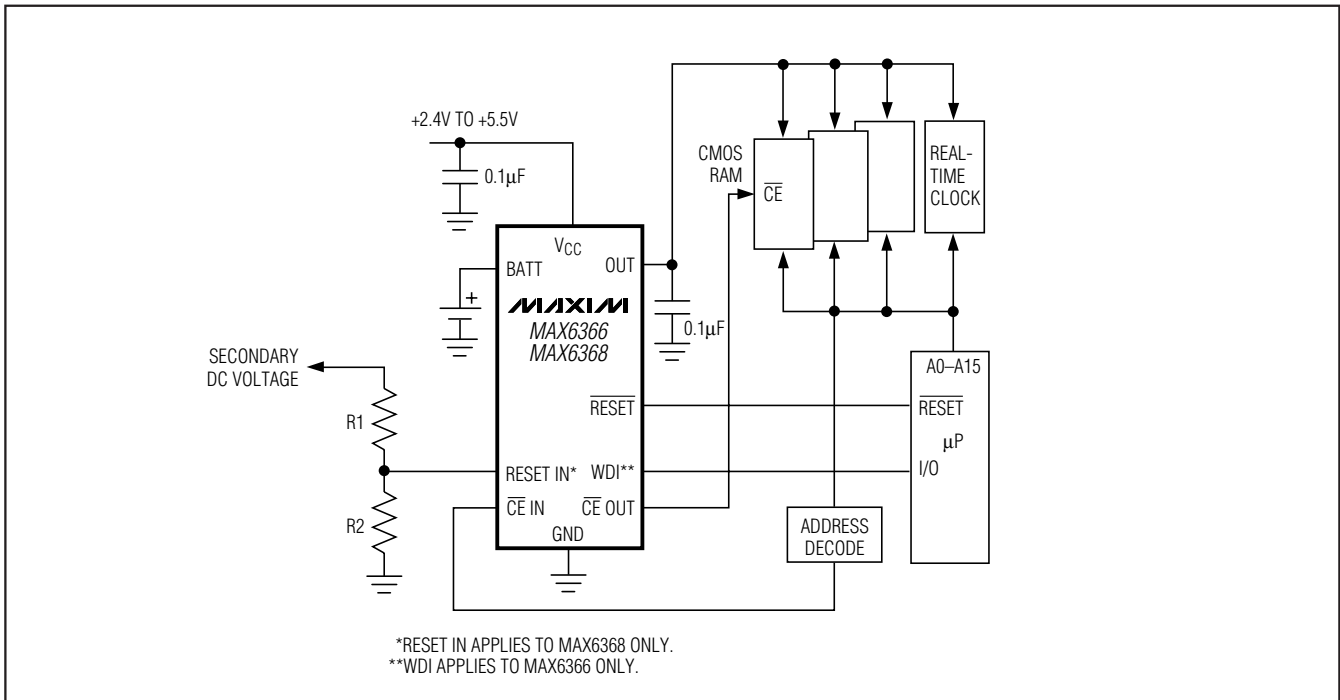
MAX6365-MAX6368

Pin Configurations (continued)



SOT23, Low-Power μP Supervisory Circuits with Battery Backup and Chip-Enable Gating

Typical Operating Circuit



Chip Information

PROCESS: CMOS

Package Information

For the latest package outline information and land patterns (footprints), go to www.maxim-ic.com/packages. Note that a "+", "#", or "-" in the package code indicates RoHS status only. Package drawings may show a different suffix character, but the drawing pertains to the package regardless of RoHS status.

| PACKAGE TYPE | PACKAGE CODE | OUTLINE NO. | LAND PATTERN NO. |
|--------------|--------------|-------------------------|-------------------------|
| 8 SOT23 | K8SN-1 | 21-0078 | 90-0176 |

SOT23, Low-Power μ P Supervisory Circuits with Battery Backup and Chip-Enable Gating

Revision History

| REVISION NUMBER | REVISION DATE | DESCRIPTION | PAGES CHANGED |
|-----------------|---------------|---|---------------|
| 4 | 5/09 | Added automotive part number to <i>Ordering Information</i> table | 1 |
| 5 | 10/11 | Updated the <i>Electrical Characteristics</i> . | 2 |

MAX6365-MAX6368

Maxim cannot assume responsibility for use of any circuitry other than circuitry entirely embodied in a Maxim product. No circuit patent licenses are implied. Maxim reserves the right to change the circuitry and specifications without notice at any time. The parametric values (min and max limits) shown in the *Electrical Characteristics* table are guaranteed. Other parametric values quoted in this data sheet are provided for guidance.

15 _____ **Maxim Integrated Products, 120 San Gabriel Drive, Sunnyvale, CA 94086 408-737-7600**