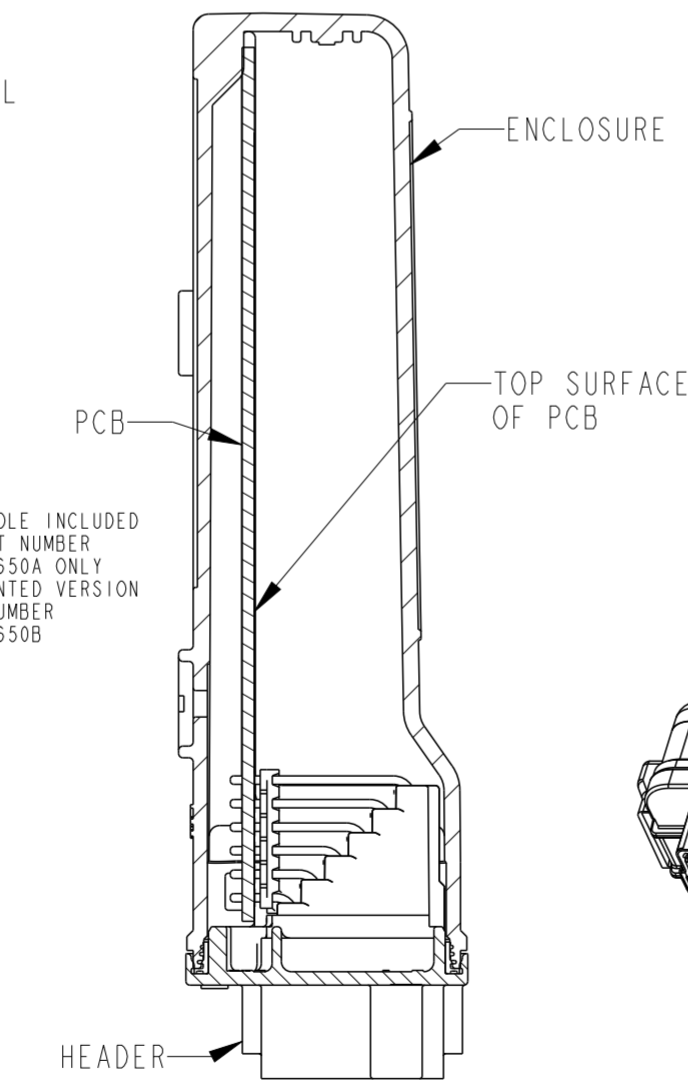
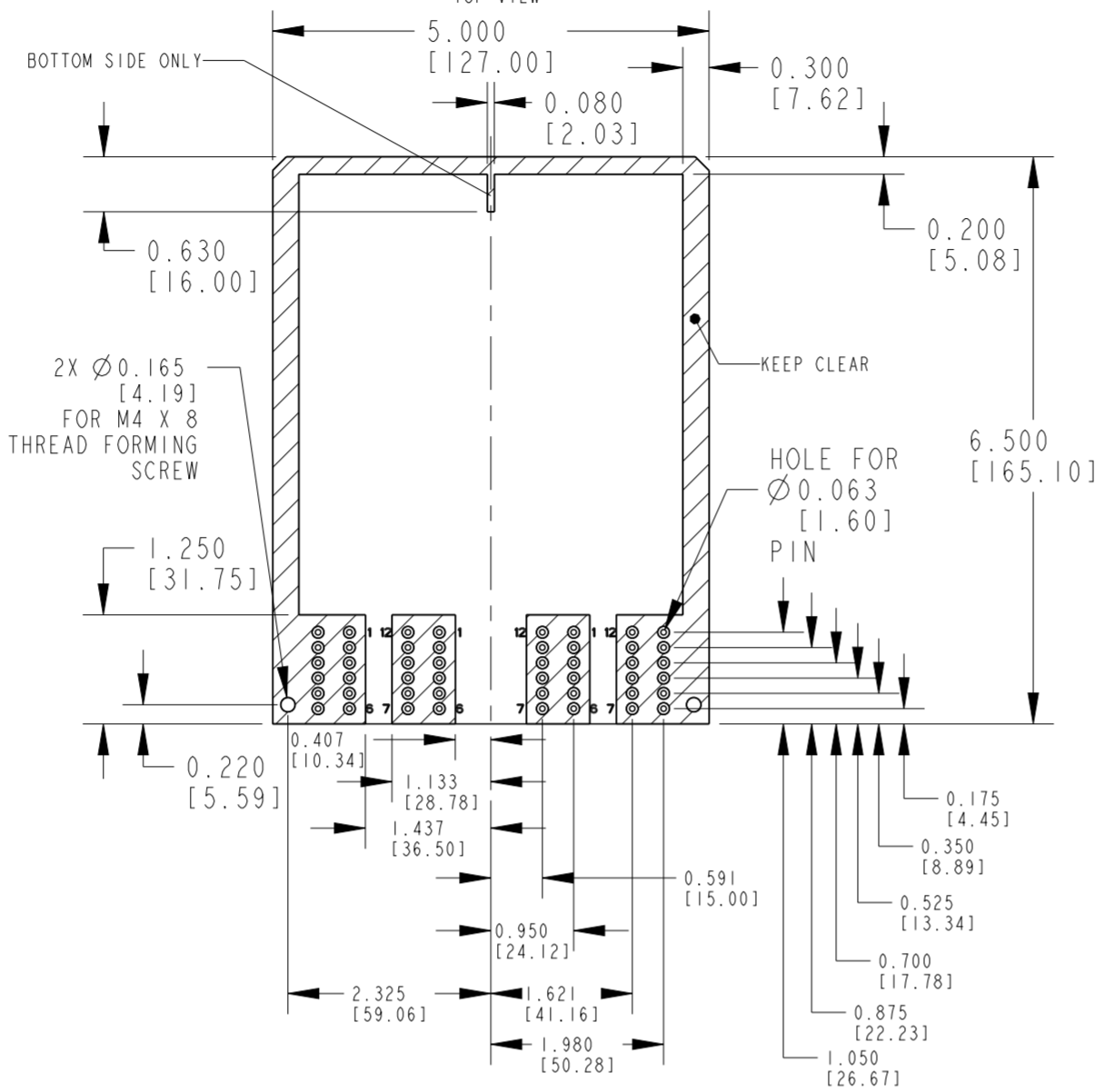
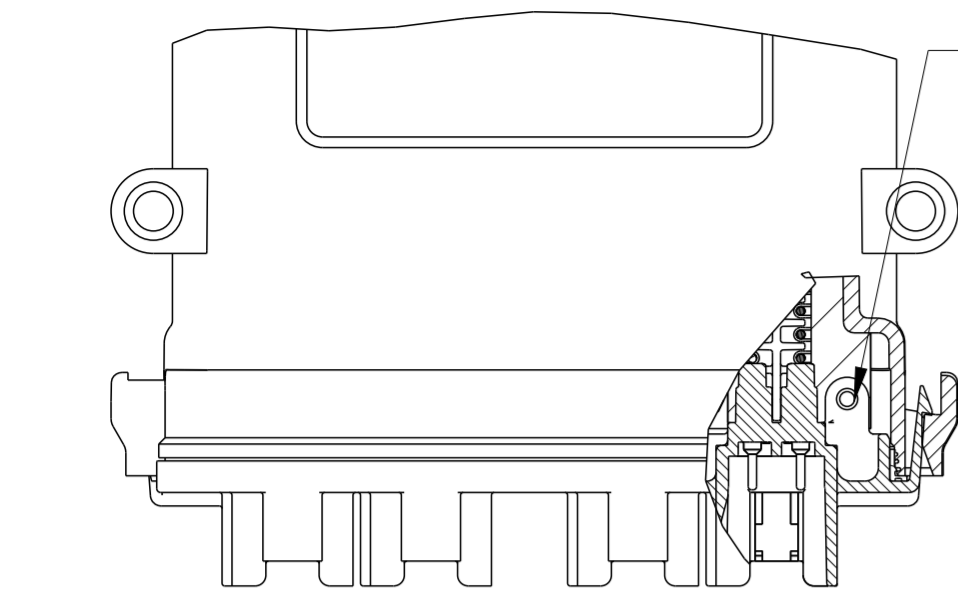


**CIRCUIT BOARD HOLE LOCATIONS
AND KEEP CLEAR AREAS FOR**

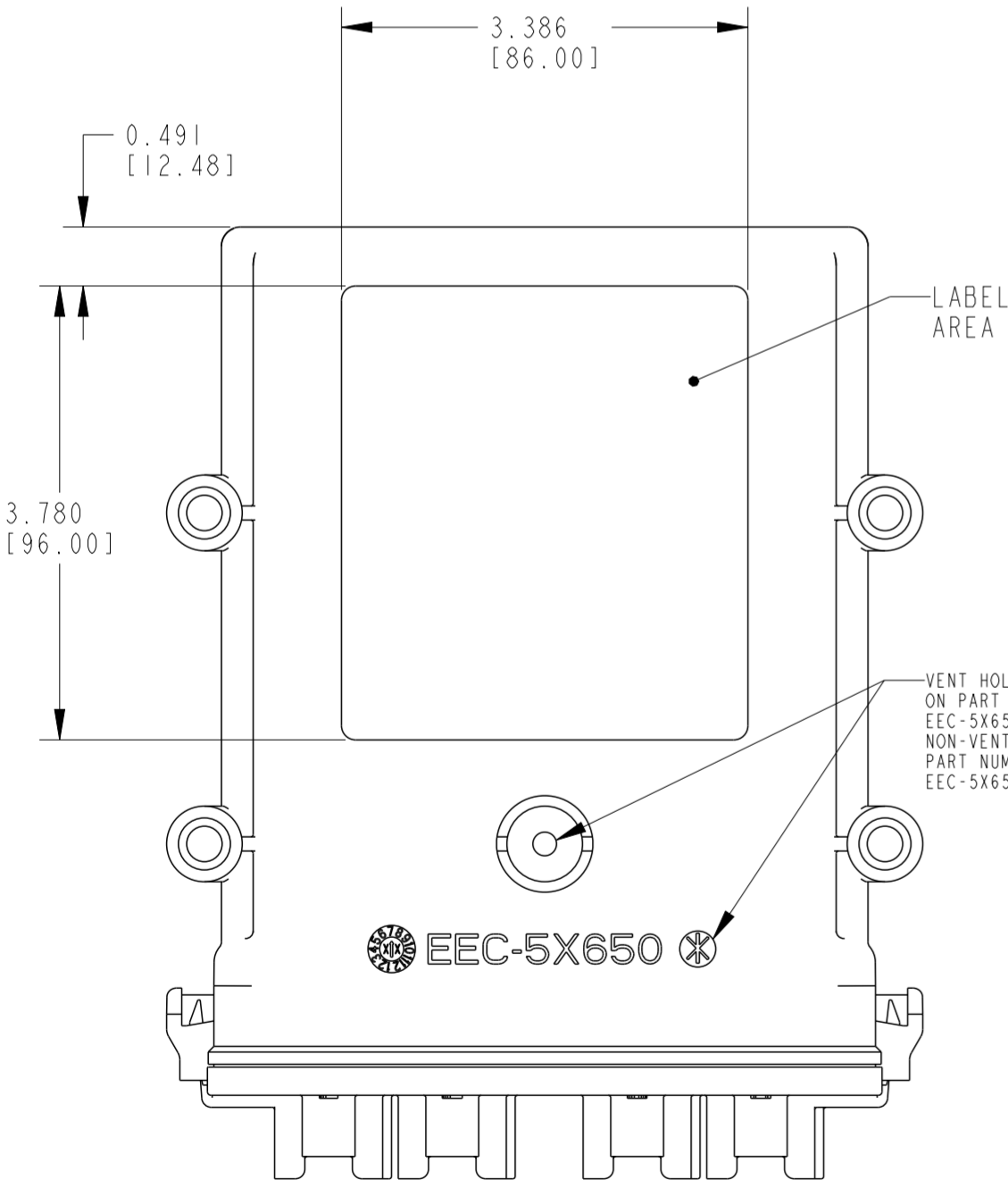
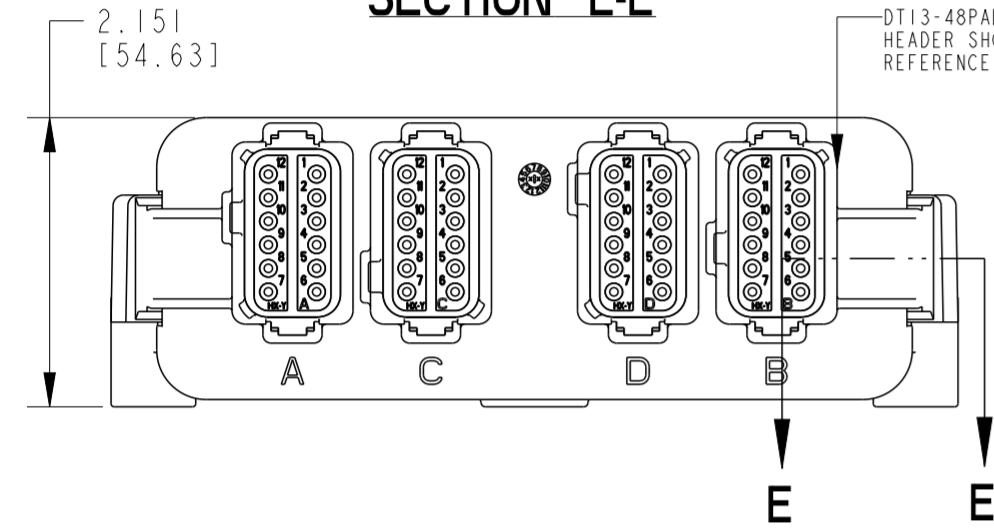
DT13-¹P²-R015
BOARD THICKNESS IN KEEP CLEAR AREA TO BE 0.093±0.004.
MAX. COMPONENT HEIGHT OVER BOARD 0.992[25.20]
MAX. COMPONENT HEIGHT UNDER BOARD 0.157[4.00]
ALL DIMENSIONS REFERENCE TOP VIEW



SECTION A-A

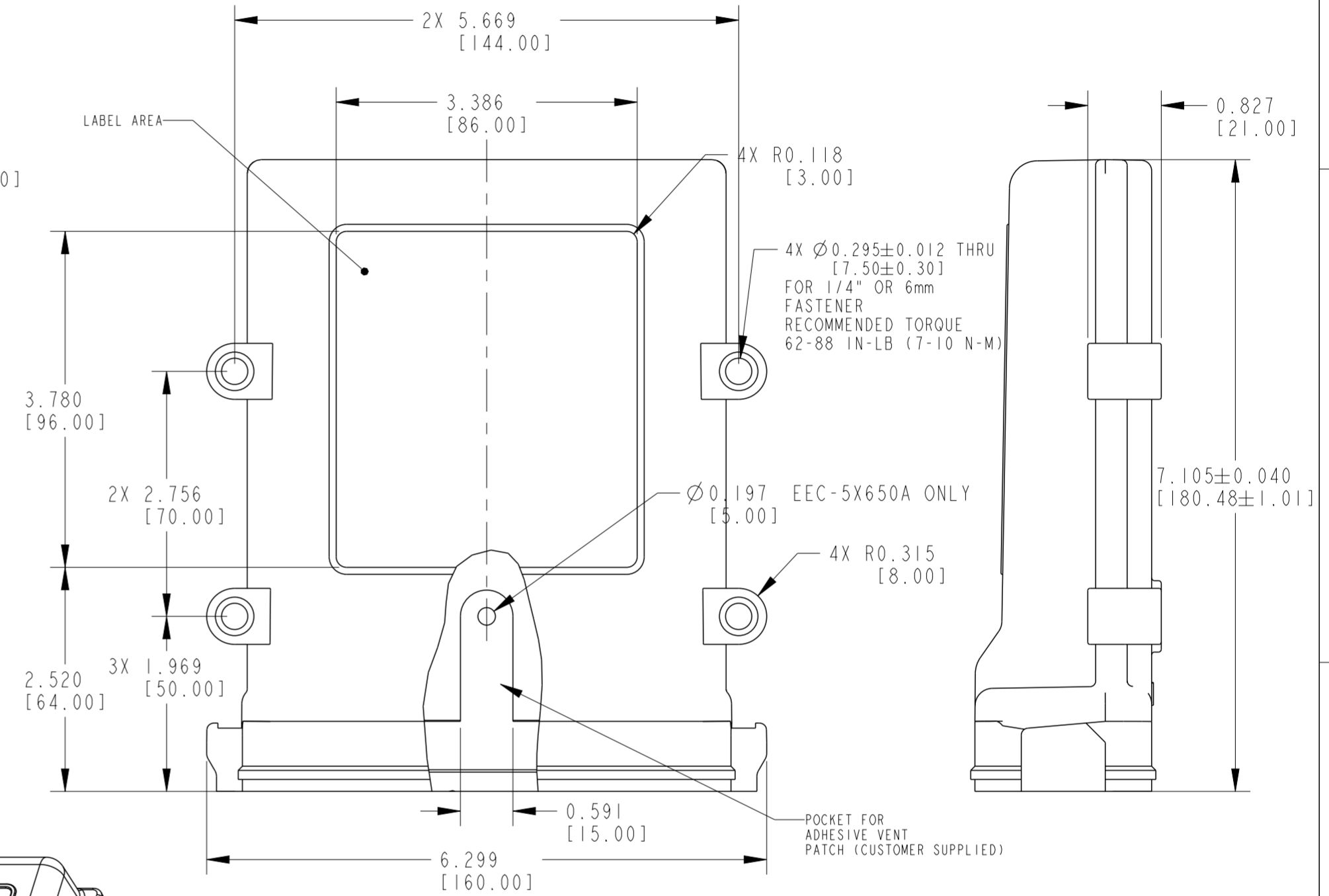


SECTION E-E

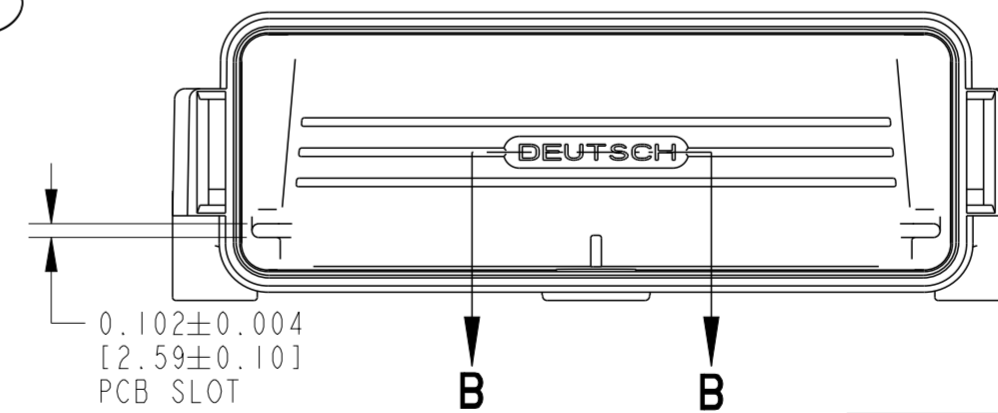


NOTES:
1. THIS ENCLOSURE MATES WITH DT13-¹P²-R015 AND -GR02 HEADERS
(*¹ = PIN ARR. 12,14,36,48; *² = KEY ARR. A,B,C,D).

REVISIONS				
P	LTR	DESCRIPTION	DATE	APVD
	NC	NEW RELEASE PER EO P20721	17DEC2010	RM RDR
	A	REVISED PER PCN E-20-002881	05MAR2020	CO IG



SECTION B-B



TE INTERNAL PN	DEUTSCH PN	KEY
EEC-5X650A	EEC-5X650A	HOLE
EEC-5X650B	EEC-5X650B	NO HOLE

THIS DRAWING IS A CONTROLLED DOCUMENT.		DWN R. MESSENGER 11 JUN 2010	TE Connectivity		
DIMENSIONS: INCHES [mm]		CHK C. WOODRUFF 2/17/10			
		APVD C. WOODRUFF 2/17/10	NAME PCB ENCLOSURE SHOWN WITH 48 PIN HEADER VENTED AND NON-VENTED DT SERIES		
TOLERANCES UNLESS OTHERWISE SPECIFIED: 0 PLC ± 1 PLC ± 2 PLC ± 3 PLC ±0.025 [0.64] 4 PLC ± ANGLES ± FINISH		PRODUCT SPEC APPLICATION SPEC	SIZE A2	CAGE CODE 111139	DRAWING NO EEC-5X650A/B
MATERIAL PA66 GF15		WEIGHT 276 GR	RESTRICTED TO	SCALE 1:2	SHEET OF
		CUSTOMER DRAWING		REV A	