

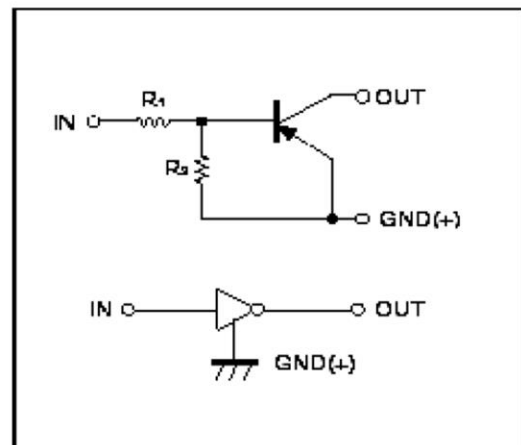
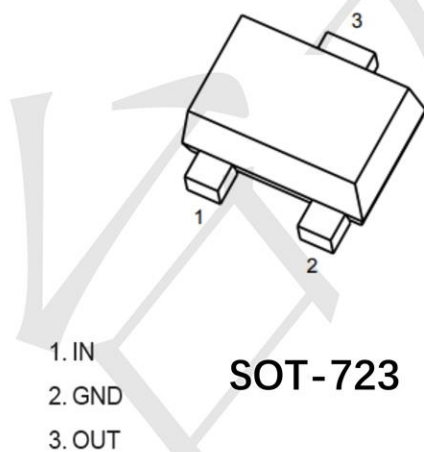
DESCRIPTION

- Epoxy meets UL-94 V-0 flammability rating
- Moisture Sensitivity Level 1
- Built-in bias resistors enable the configuration of an inverter without connecting external input resistors
- Surface mount package ideally Suited for Automatic Insertion
- PNP

FEATURES

- **Package:** SOT-723
- **Terminals:** Tin plated leads, solderable per J-STD-002 and JESD22-B102
- **Marking:** 16

PIN DESCRIPTION



ABSOLUTE MAXIMUM RATINGS

T_A = 25°C, unless otherwise noted

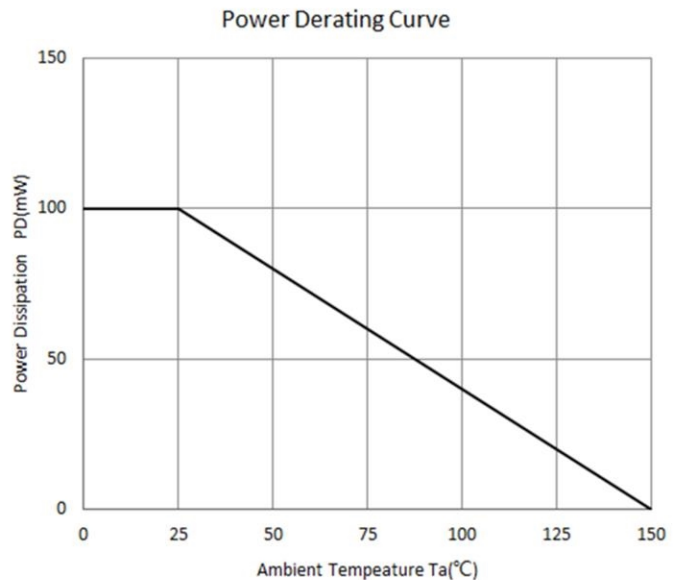
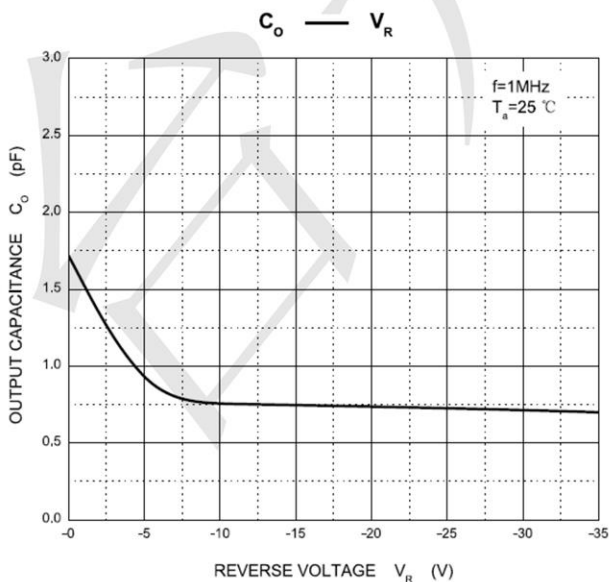
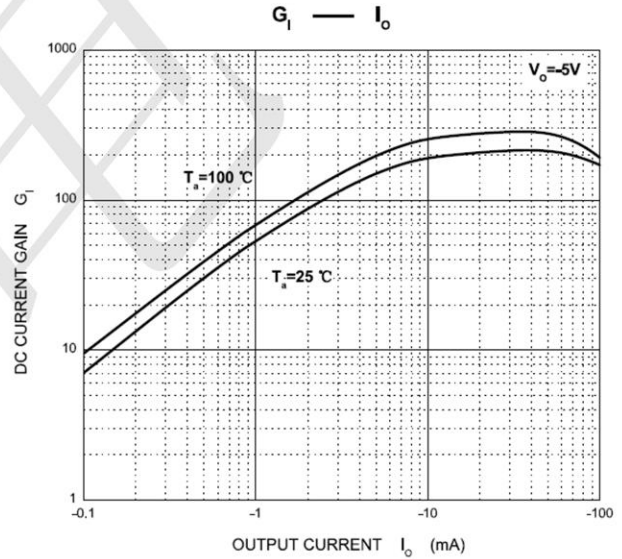
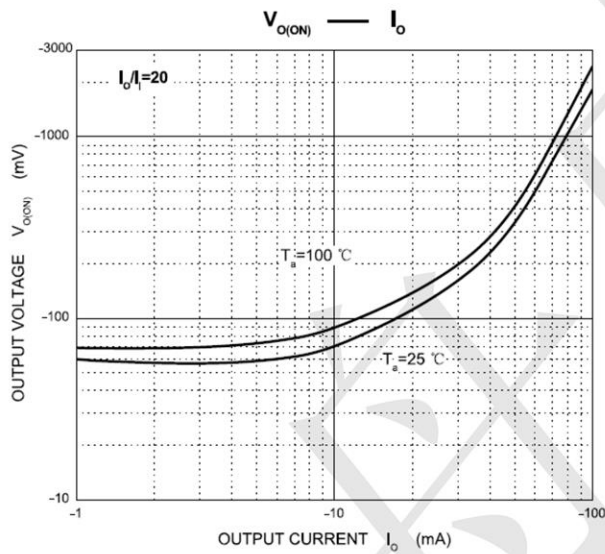
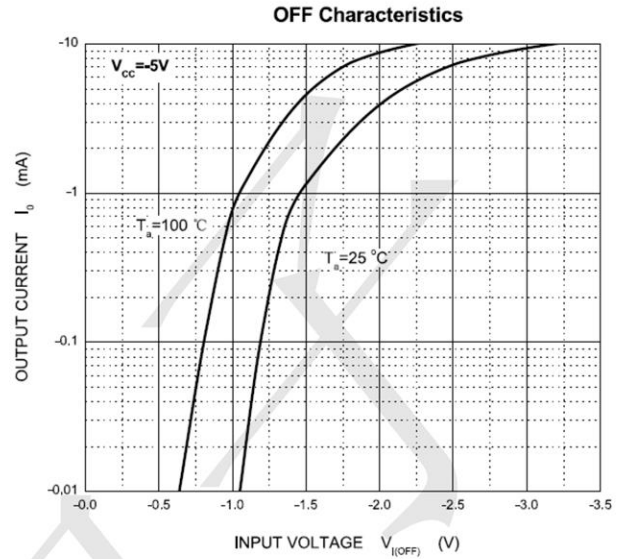
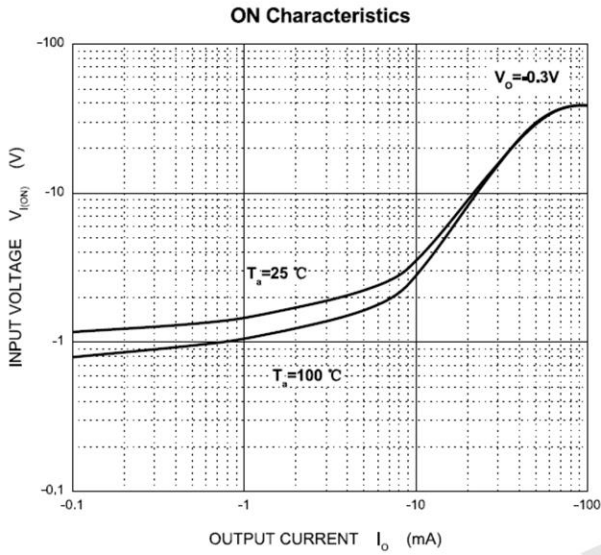
ITEM	SYMBOL	UNIT	CONDITIONS	VALUE
Supply Voltage	VCC	V		-50
Input Voltage	VIN	V		-40 to +10
Output Current	IO	mA		-100
Power Dissipation	PD	mW		100
Junction Temperature	TJ	°C		150
Storage Temperature	TSTG	°C		-55 to +150

ELECTRICAL CHARACTERISTICS

T = 25°C unless otherwise noted

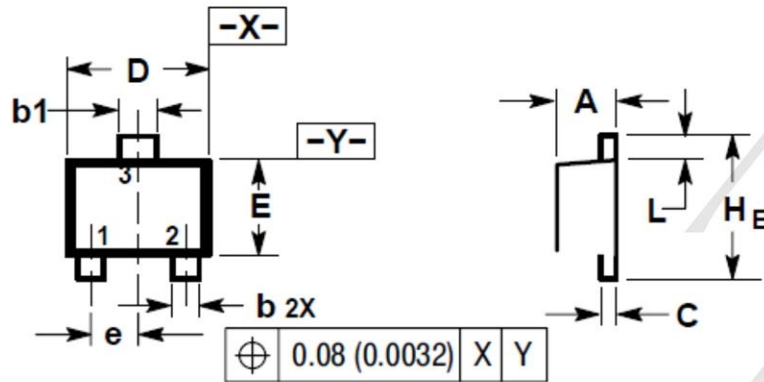
ITEM	SYMBOL	UNIT	CONDITIONS	MIN	TYP	MAX
Input voltage	V _{I(off)}	V	VCC=-5V, I _c =-100uA V _O =-0.3V, I _c =-2mA	-0.5		
	V _{I(on)}	V				-3
Output voltage	V _{O(on)}	V	I _o / I _i = -10mA / -0.5 mA			-0.3
Input current	I _I	mA	V _I = -5V			-0.18
Output current	I _{O(off)}	uA	VCC = -50V, V _i = 0			-0.5
DC current gain	G _I		V _o = -5V, I _o = -5mA	68		
Input resistance	R ₁	kΩ		32.9	47	61.1
Resistance ratio	R ₂ /R ₁			0.8	1	1.2
Transition frequency	f _T	MHz	VCE = -10V, I _E = -5mA		250	

TYPICAL CHARACTERISTICS

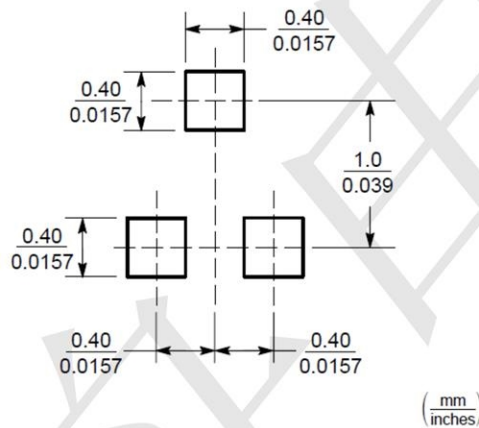


PACKAGE INFORMATION

Dimension in SOT-723 (Unit: mm)



SOLDERING FOOTPRINT



DIM	MILLIMETERS		INCHES	
	MIN	MAX	MIN	MAX
A	0.45	0.55	0.018	0.022
b	0.15	0.27	0.0059	0.0106
b1	0.25	0.35	0.010	0.014
C	0.07	0.17	0.0028	0.0067
D	1.15	1.25	0.045	0.049
E	0.75	0.85	0.03	0.034
e	0.40 BSC		0.016 BSC	
HE	1.15	1.25	0.045	0.049
L	0.15	0.25	0.0059	0.0098