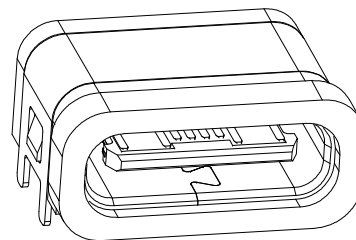
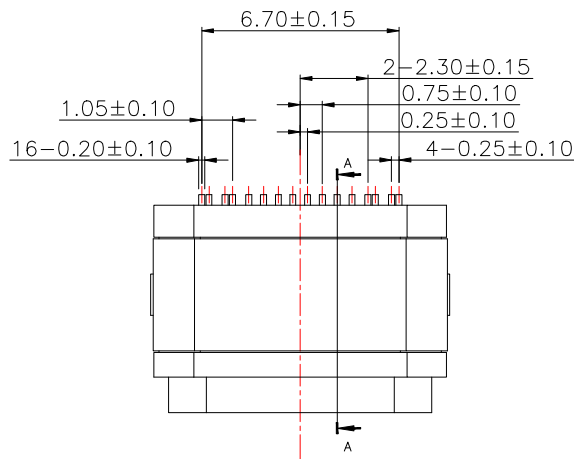
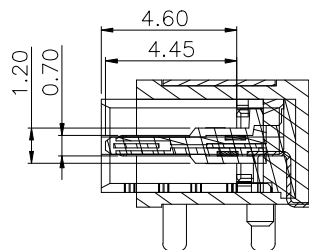
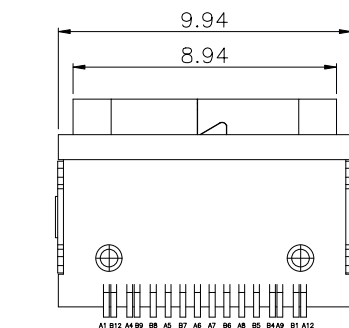
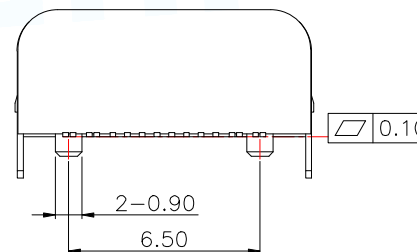
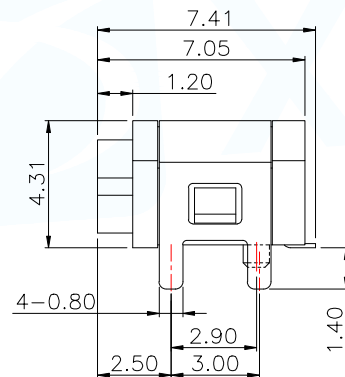
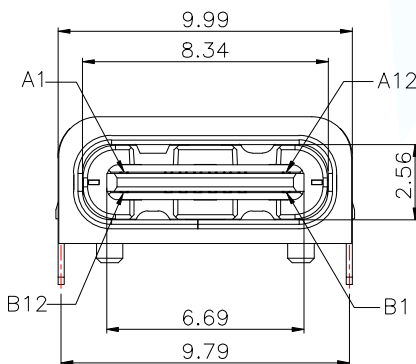


12	13	14	15
MAPX	MODIFICATION	DATE	DRAW



NOTE:

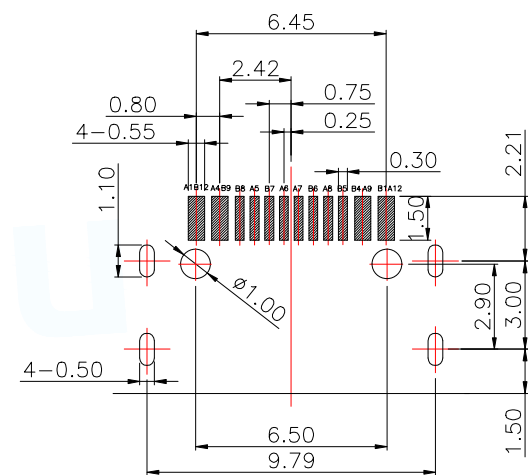
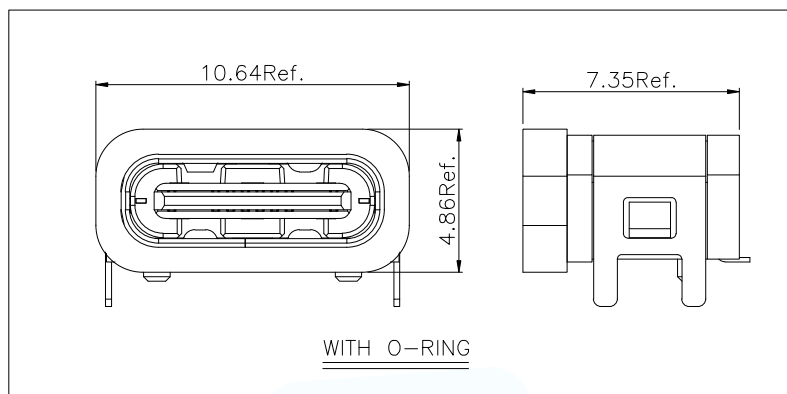
- 1.MATERIAL SPECIFICATION:
  - 1.HOUSING:HIGH TEMPERATURE RESISTANT PLASTIC,UL94 V-0.
  - 2.SHELL HOUSING:HIGH TEMPERATURE RESISTANT PLASTIC,UL94 V-0.
  - 3.CONTACTS:COPPER ALLOY
  - 4.SHIELD PLATE: STAINLESS STEEL
  - 5.SHELL: STAINLESS STEEL
  - 6.O-RING: SILICONE RUBBER,BLACK
- 2.PLATING SPECIFICATION:
  - 2-1.CONTACTS:
    - Ni 50u" MIN. UNDER PLATED OVER ALL.
    - Au 1u\* ON THE FUNCTIONAL AREA OF CONTACT.
    - Gold Flash ON THE SOLDER AREA OF CONTACT.
  - 2-2.SHELL:
    - Ni 30u" MIN. UNDER PLATED OVER ALL.
  - 2-3.SHIELD PLATE:
    - Ni 30u" MIN. UNDER PLATED OVER ALL.
- 3.MECHANICAL PERFORMANCE,
  - 3-1.INSERTION FORCE: 5~20N.
  - 3-2.REMOVAL FORCE: 8~20N.
  - 3-3.DURABILITY: 10000 CYCLES.
- 4.ELECTRICAL PERFORMANCE,
  - 4-1. CURRENT RATING:3.0A  
VOLTAGE RATING:5.0V
  - 4-2. LLCR:
    - VBUS & GND PINS AND OTHER PINS: 40ma/PIN MAX.
    - SHIELD: 50ma/MAX.
    - LLCR MAX. CHANGE OF ALL PINS: 10ma.
  - 4-3.INSULATION RESISTANCE: 100MΩ MIN
  - 4-4.DIELECTRIC WITHSTAND VOLTAGE,AC 100V FOR 1 MINUTE.
- 5.ENVIRONMENTAL PERFORMANCE:
  - OPERATING TEMPERATURE: -30℃~+85℃.
- 6.IR REFLOW:
  - THE PEAK TEMPERATURE ON THE BOARD SHALL BE MAINTAINED FOR 10 SECONDS AT 260°C.
7. WATER PROOFNESS:THIS PRODUCT IS BASED ON IPX6.



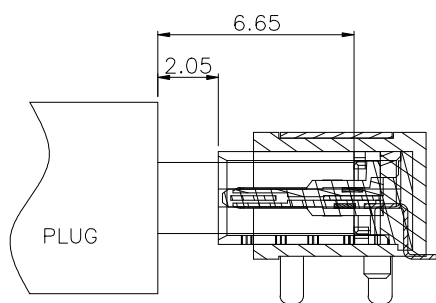
SECTION:A-A

MANUFACTURE DWG		 东莞市讯普电子科技有限公司 DongGuan XunPu Electronics Co.,Ltd	TITLE: CF母头单排16PIN 防水板上型	
UNLESS OTHERWISE SPECIFIED TOLERANCES			PAR	TYPEC-301S-ACP16X7
DECIMALS:	ANGLES:	DWN		
.X:±0.30	X':±10°	CHKD		
.XX:±0.20	.X':±8°	APVD		
.XXX:±0.10		SCALE1:1	UNIT:MM	
		SIZE:A4	SHEET:1F1	
		CUSTOMER COPY	REV:A	





RECOMMENDED P.C.B. LAYOUT  
TOLERANCE UNSPECIFIED ±0.05mm



AFTER MATING

USB TYPE-C PIN ASSIGNMENTS

A1	GND	B12	GND
A4	VBUS	B9	VBUS
A5	CC1	B8	SBU2
A6	DP1	B7	DN2
A7	DN1	B6	DP2
A8	SBU1	B5	CC2
A9	VBUS	B4	VBUS
A12	GND	B1	GND
PIN	SIGNAL NAME	PIN	SIGNAL NAME

MANUFACTURE DWG			东莞市讯普电子科技有限公司 DongGuan XunPu Electronics Co.,Ltd	
UNLESS OTHERWISE SPECIFIED TOLERANCES			TITLE: CF母头单排16PIN 防水板上型	
DECIMALS:	ANGLES:	PAR	TYPEC-301S-ACP16X7	
.X:±0.30	X°:±10°	DWN		
.XX:±0.20	.X°:±8°	CHKD		
.XXX:±0.10		APVD		
CUSTOMER COPY		SCALE1:1	UNIT:MM	
		SIZE:A4	SHEET:1F1	REV:A