

# Customer Information Sheet

DRAWING No.: S7251-45R

IF IN DOUBT - ASK

©

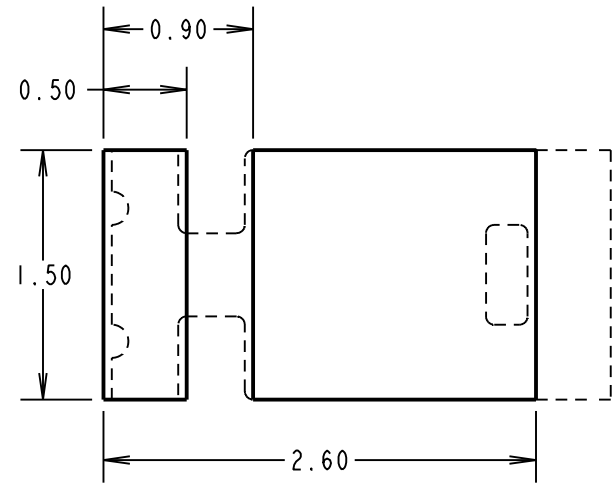
NOT TO SCALE

THIRD ANGLE PROJECTION

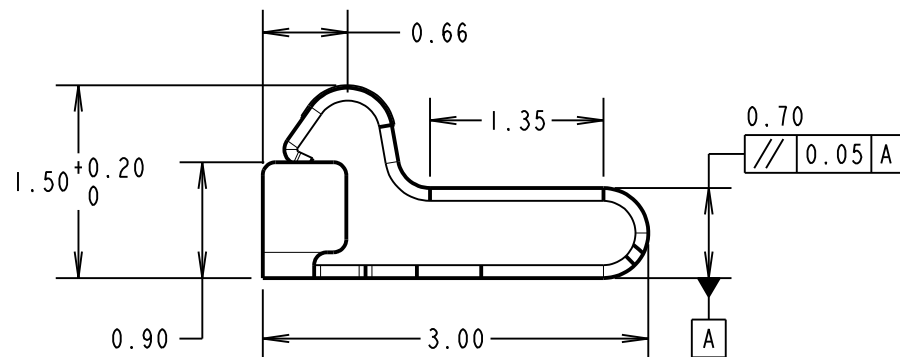
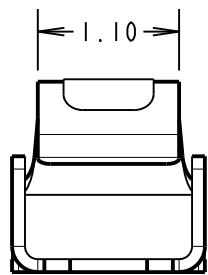
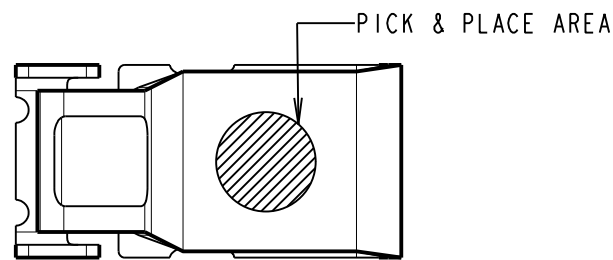
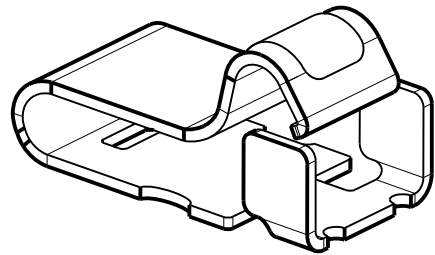
ALL DIMENSIONS IN mm

**NOTES:**

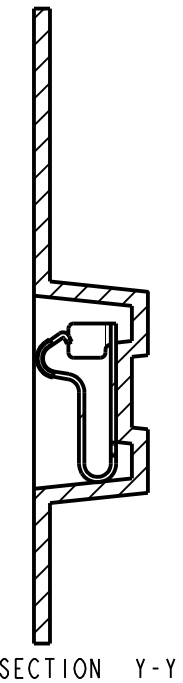
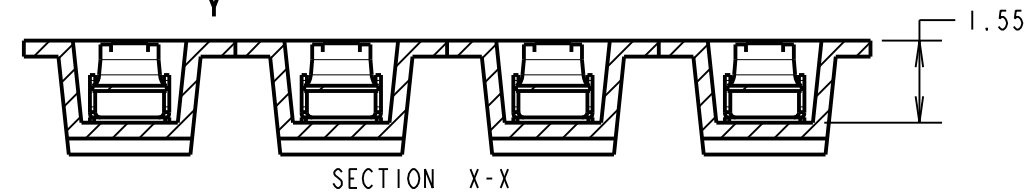
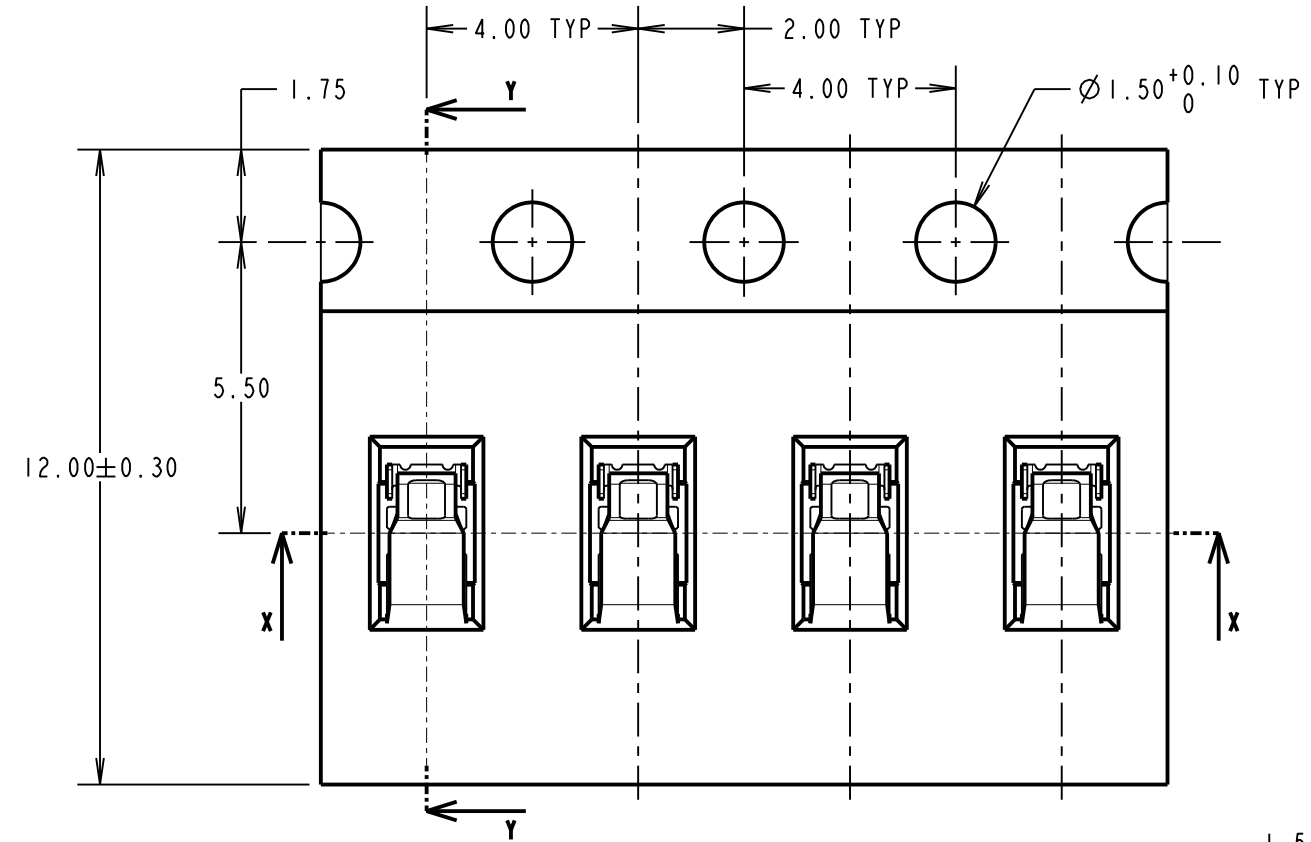
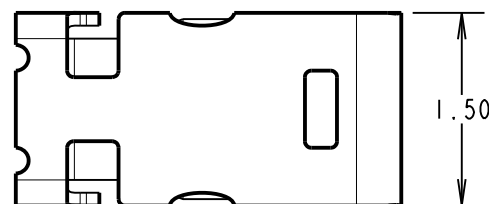
1. QUANTITY PER REEL = 8,000.
2. THIS PRODUCT IS TAPED AND REELED IN GENERAL ACCORDANCE WITH EIA-481-2 (ELECTRONICS INDUSTRIES ASSOCIATION).



RECOMMENDED PCB LAYOUT  
(TOLERANCE = ±0.05)

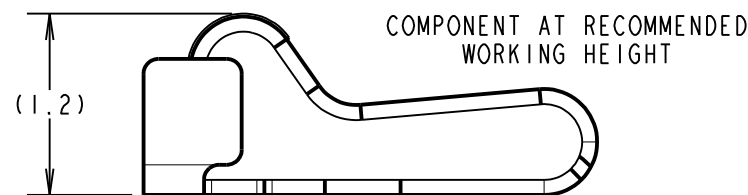
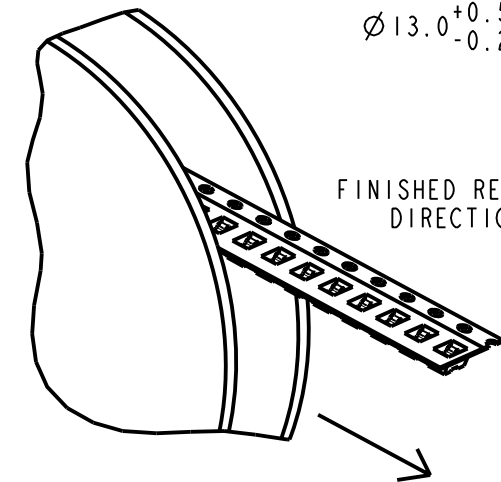
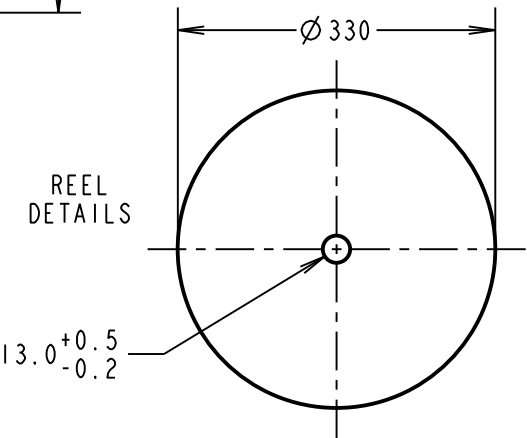


COMPONENT DETAILS



**SPECIFICATION:**

MATERIAL = TITANIUM COPPER ALLOY, 0.08mm THICK  
 FINISH = 1.5µm-3.5µm NICKEL ALL OVER. 0.1µm GOLD ON TOP  
 CONTACT AREA AND GOLD FLASH ON BASE  
 ELECTRICAL:  
 CONTACT RESISTANCE = 50mΩ MAX  
 CURRENT RATING = 1A  
 MECHANICAL:  
 DURABILITY = 10,000 CYCLES  
 RECOMMENDED WORKING HEIGHT = 1.20mm / MIN FORCE = 0.58N  
 RECOMMENDED MINIMUM WORKING HEIGHT = 0.90mm  
 ENVIRONMENTAL:  
 OPERATING TEMPERATURE = -40°C TO +85°C



MGP	3	09.04.20	21839
NAME	ISS.	DATE	C/NOTE
APPROVED: MGP			
CHECKED: RA			
DRAWN: S.BENNETT			
CUSTOMER REF.:			
ASSEMBLY DRG:			

<p>www.harwin.com technical@harwin.com</p>	<p>THIS DRAWING AND ANY INFORMATION OR DESCRIPTIVE MATTER SET OUT HEREON ARE CONFIDENTIAL AND COPYRIGHT PROPERTY OF THE HARWIN GROUP AND MUST NOT BE DISCLOSED, LOANED, COPIED OR USED FOR MANUFACTURING, TENDERING OR FOR ANY OTHER PURPOSE WITHOUT THEIR WRITTEN PERMISSION.</p>	<p>TOLERANCES</p> <p>X. = ±1mm                  X.X = ±0.50mm                  X.XX = ±0.20mm                  X.XXX = ±0.01mm</p> <p>ANGLES = ±5°                  UNLESS STATED</p>	<p>MATERIAL:</p> <p>SEE ABOVE</p> <p>FINISH: SEE ABOVE</p> <p>S/AREA: mm<sup>2</sup></p>	<p>TITLE: SMT SPRING CONTACT (1.50mm HIGH) IN TAPE AND REEL</p> <p>DRAWING NUMBER: S7251-45R</p>	<p>SHT 2 OF 2</p>