

# PSD2508 Thru PSD2516

**High Current Glass Passivated Molding Three -Phase Bridge Rectifier**

**Reverse Voltage 800 to 1600V Forward Current 25A**

## FEATURES

- Plastic Package has Underwriters Laboratory Flammability Classification 94V-0
- High current capacity with small package
- Glass passivated chip junctions
- Superior thermal conductivity
- High IFSM

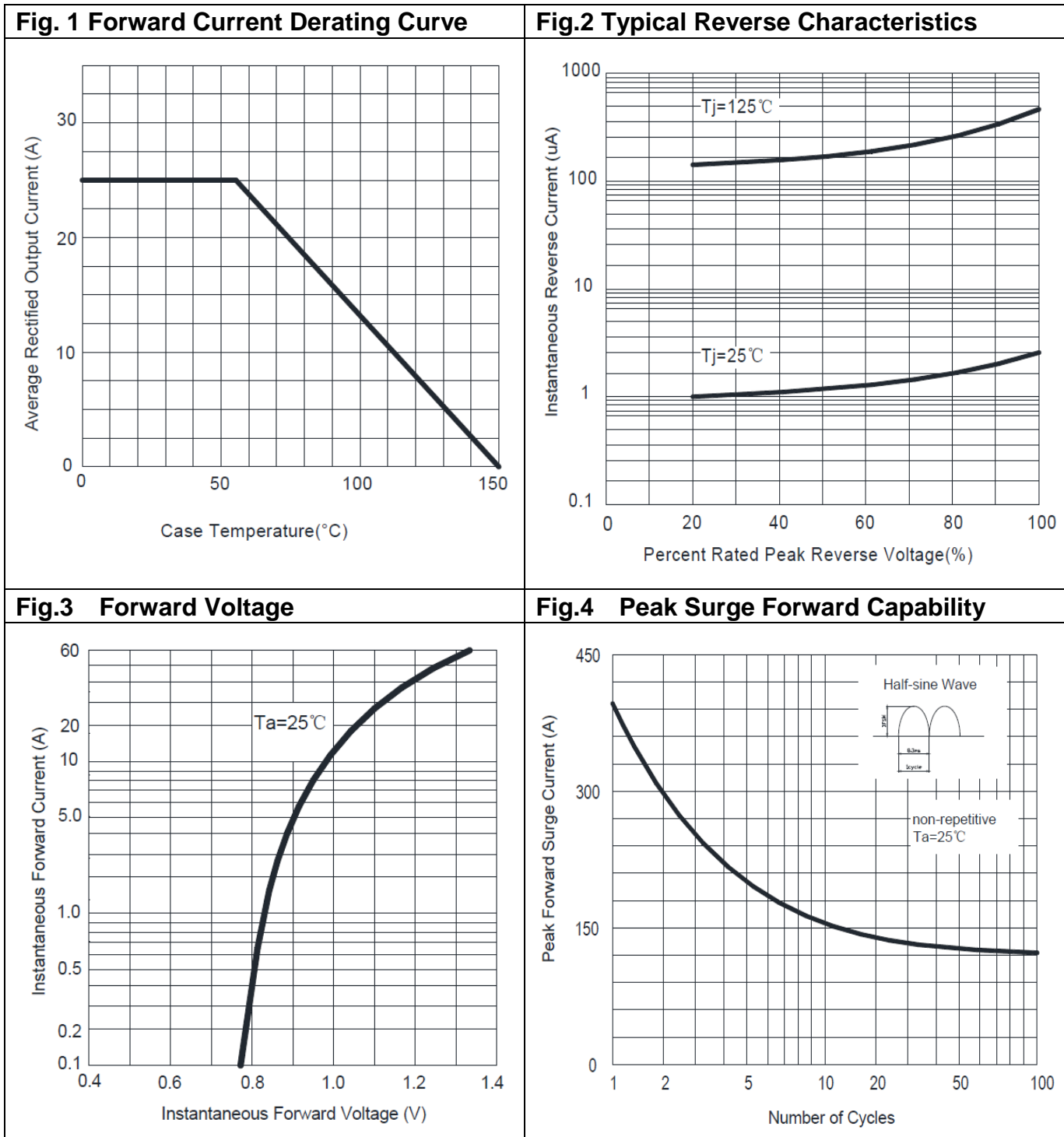


## 1. Maximum & Thermal Characteristics Ratings at 25°C ambient temperature unless otherwise specified.

Item	Symbol	PSD2504	PSD2508	PSD2510	PSD2512	PSD2516	Unit
Maximum repetitive voltage	VRM	400	800	1000	1200	1600	V
Maximum RMS Voltage	VRMS	280	560	700	840	1120	
Maximum DC Blocking Voltage	VDC	400	80	1000	1200	1600	V
Peak Reverse Current (per leg) @Tj = 25°C	IR	10					μA
At Rated DC Blocking Voltage @Tj = 125°C		5					mA
Average rectified forward current 60Hz sine wave,R-load with heatsink Tc=62°C	Io	25					A
Peak forward surge current 8.3ms single half sine-wave superimposed on rated load	IFSM	400					A
RMS Isolation Voltage from Case to Lead	VISOL	2500					V
Max instantaneous forward voltage @12.5A/25°C	VF	1.1					V
Typical Thermal Resistance per Element	RθJC	1.55					°C/W
I2t Rating for Fusing	I2t	750					A2sec
Operating junction temperature	Tj	-40~150					°C
Storage temperature	Tstg	-40~150					°C

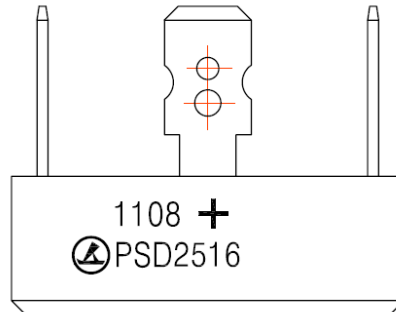
# PSD2508 Thru PSD2516

## 2. Ratings and Characteristic Curves ( $T_A = 25^\circ\text{C}$ unless otherwise noted )



# PSD2508 Thru PSD2516

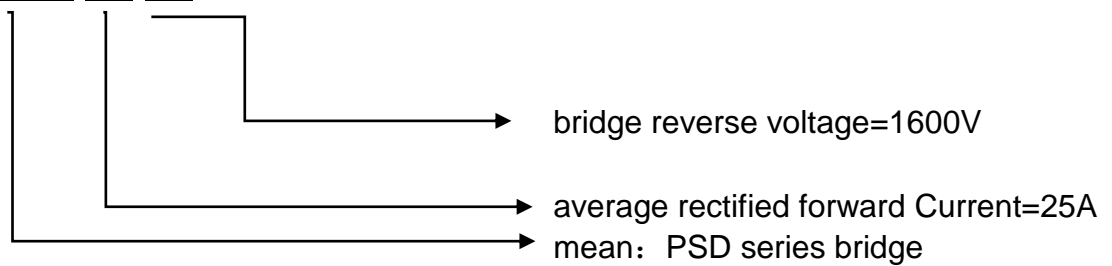
## 3. Marking Identification



### Note:

生产日期码包含4位数字，例如“1108”，前两个数字“11”表示为2011年，另外二个数字“08”是指第8周，即表示该产品为2011年第8周生产。

型号：**PSD 25 16**



## 4. Dimension

