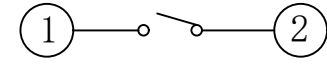
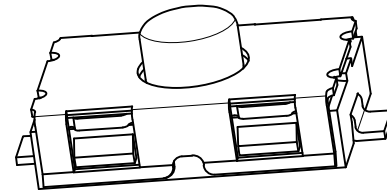
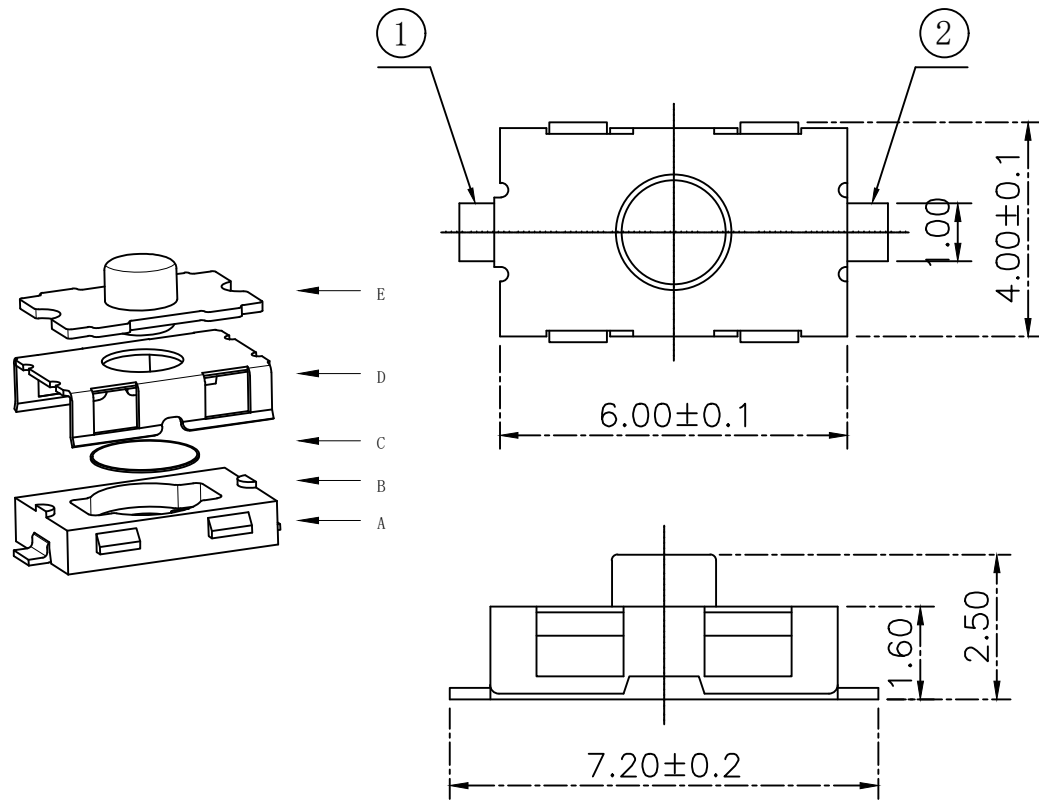


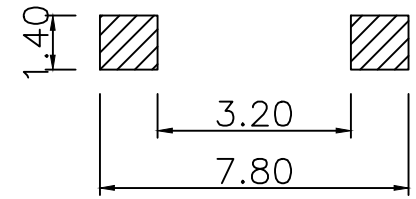
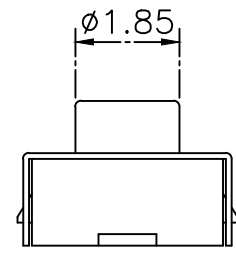
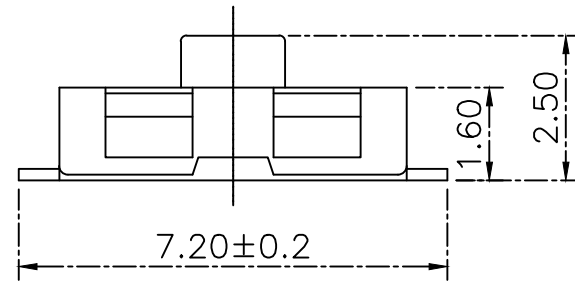
RoHS

CAD GENERATED DRAWING. DON'T CHANGE BY HAND.

REV.	ECN. NO.	APPD.



CIRCUIT DIAGRAM



PCB layout

Specification

Operating Life	100,000
Contact rating	50mA@12V DC.
Insulation resistance	100Ω min.
Contact resistance	100mΩ max. initial.
Dielectric Strength	250 V AC(1mm)
Travel	0.35±0.15mm
Storage Temperature	-30° C to 85° C

E	STEM	Silicone	1	Black
D	COVER	Stainless Steel	1	Clean
C	DOME	Stainless Steel	1	Plated Ag
B	HOUSING	PPA	1	Black
A	PIN	Brass	1	Plated Ag
ITEM	DESCRIPTION	MATERIAL	QTY	FINISH/COLOR

Mechanical

Actuation Force	Operating Force(gf)	Height mm
YTS1C0191AB00N	180±30	2.5
YTS1C0192AB00N	250±50	2.5

X. ±0.50	X.° ±2°	UNITS mm
.X ±0.20	.X° ±1°	
.XX ±0.10	.XX° ±0.5°	MAT'L
.XXX ±0.05		FINISH
THESE DRAWINGS AND SPECIFICATIONS ARE THE PROPERTY OF YIYUAN TECHNOLOGY CO.,LTD AND SHALL NOT BE REPRODUCED, COPIED OR USED IN ANY MANNER WITHOUT THE PRIOR WRITTEN CONSENT OF YIYUAN TECHNOLOGY CO.,LTD		Q'TY
Email at info@yiyuanswitches.com		



深圳市怡远科技有限公司
SHENZHEN YIYUAN TECHNOLOGY CO., LTD

Packaging:
Reel of 3,000 pieces.

PART NO. YTS1C019	TITLE: TACTILE SWITCH 4*6 贴片
APPD: ROGER	DWG NO. : YTS1C019
CHKD: ROC	
DR: BILLY WANG 2020/08/21	

	SCALE	SHEET	REV.
	1/1	1/1	A1