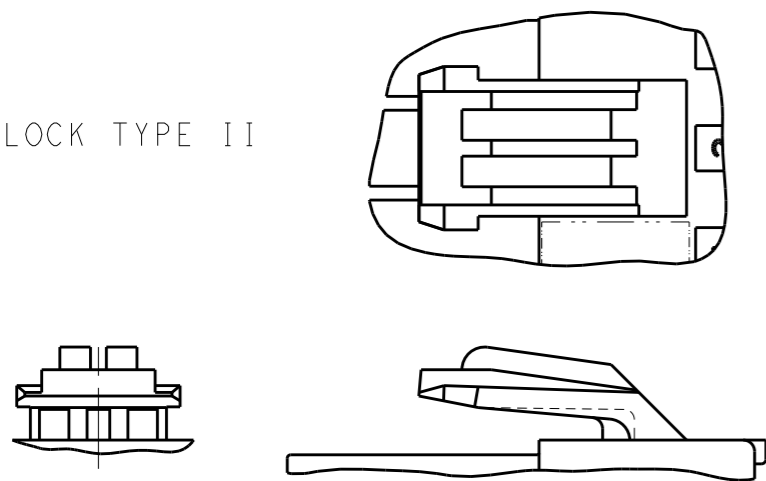


THIS DRAWING IS UNPUBLISHED. RELEASED FOR PUBLICATION 20
© COPYRIGHT 20 BY - ALL RIGHTS RESERVED.

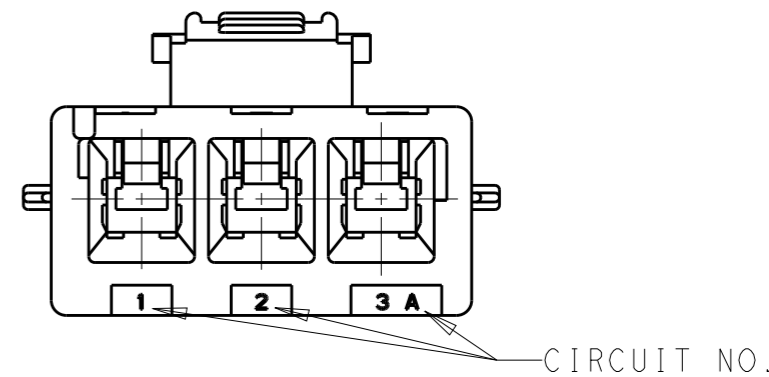
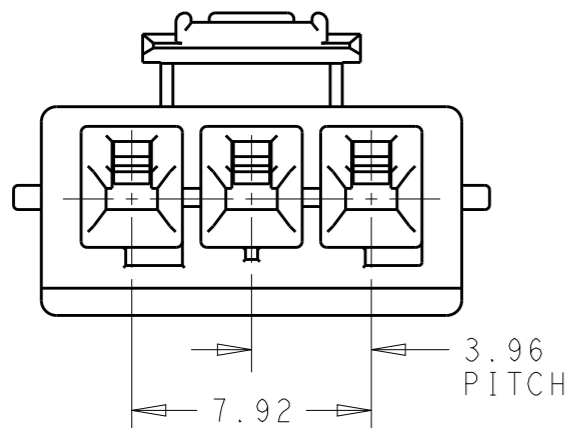
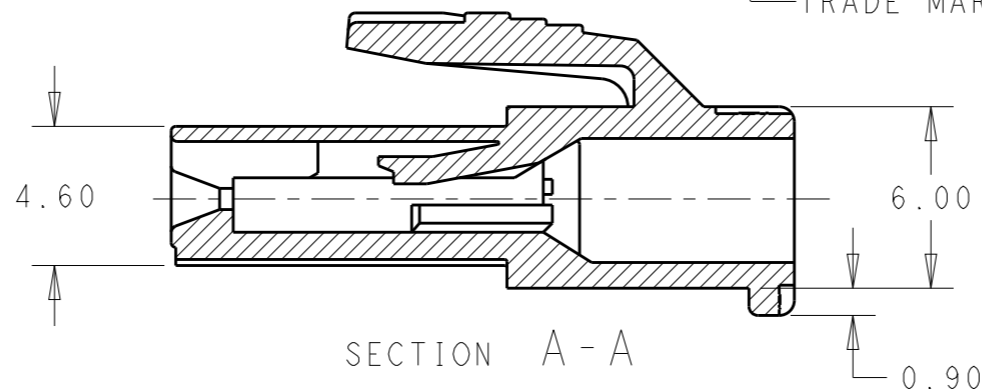
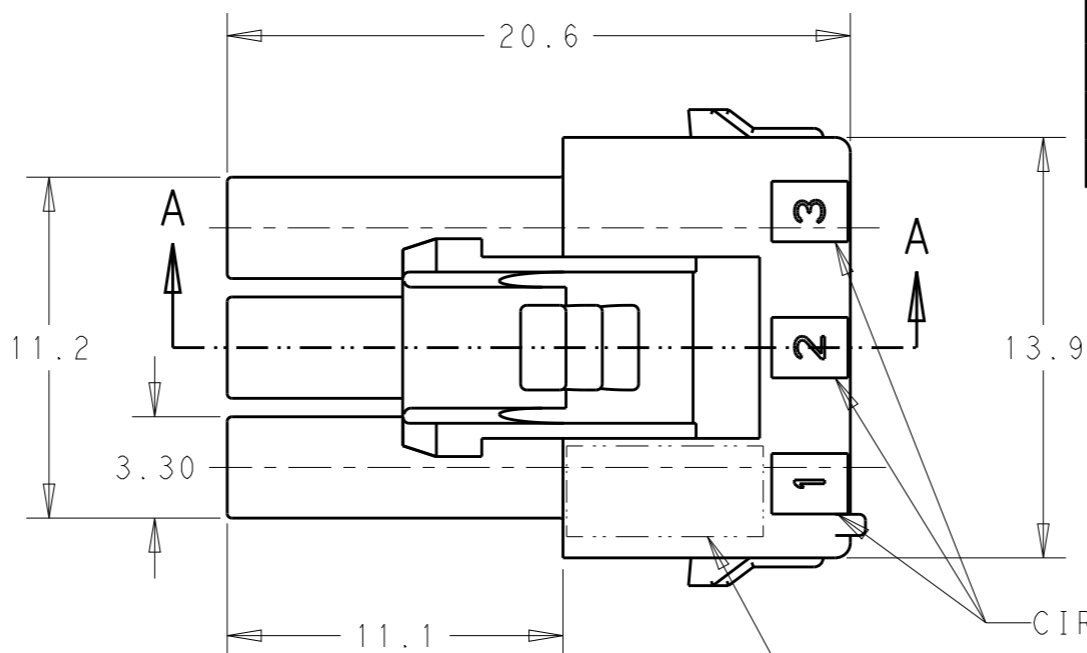
REVISIONS

P	LTR	DESCRIPTION	DATE	DWN	APVD
	E5	REVISED PER ECR-19-003343	06MAR2019	N.L	D.Z

LOCK TYPE II



SCALE 3:1



- 1 APPLICABLE CONTACT P/N
REC CONTACT : 177915-X (AWG#20-#16)
177914-X (AWG#26-#22)
X-2232901-X(AWG#20-#16)
X-2232902-X(AWG#26-#22)
- 2 MATING CONN. P/N
CAP HSG : 177907-X (PANEL MOUNT)
179464-X (FREE HANGING)

TAB CONTACT : 177917-X (AWG#20-#16)
177916-X (AWG#26-#22)

- 6 PART 5-177899-1 COMPLY WITH GLOW WIRE REQUIREMENT FOR PARTS OF NON-METALLIC MATERIAL SUPPORTING A CURRENT-CARRYING CONNECTION DETAILED IN IEC 60335-1, SECTION 30 (GWT)

- 3 APPLICABLE PLATE P/N : 177919-X
- 4 INSTRUCTION SHEET : 411-5638
- 5 ALL PARTS MEET RTI ELECTRICAL RATING OF 105°C ACCORDING TO UL1977.

LOCK TYPE II	BLUE	3	3-177899-6
	NATURAL	3	3-177899-1
LOCK TYPE I	NATURAL	3	5-177899-1
	BLACK	3	177899-9
	BLUE	3	177899-6
	YELLOW	3	177899-4
	RED	3	177899-2
	NATURAL	3	177899-1
LOCK TYPE	HOUSING COLOR	POS	PART NUMBER

THIS DRAWING IS A CONTROLLED DOCUMENT.

DIMENSIONS:	TOLERANCES UNLESS OTHERWISE SPECIFIED:
mm	
	0 PLC ±
	1 PLC ±0.25
	2 PLC ±0.20
	3 PLC ±
	4 PLC ±
	ANGLES ±3°
MATERIAL	FINISH
-	-
-	-

DWN	J. SATO	25OCT2007
CHK	S. MANABE	25OCT2007
APVD	S. MANABE	25OCT2007
PRODUCT SPEC	108-5410	
APPLICATION SPEC	114-5175	
WEIGHT	-	
RESTRICTED CUSTOMER		

STE TE Connectivity

NAME: AMP POWER DOUBLE LOCK 3.96mm PITCH
3 POS PLUG HSG (SGL. ROW)

SIZE	CAGE CODE	DRAWING NO	RESTRICTED TO
A3	00779	C-177899	

SCALE: N/A SHEET: 1 OF 1 REV: E5