

## Description

The AP7381 series is a positive voltage regulator IC.


The AP7381 has features of wide input voltage range, high accuracy, low dropout voltage, current limit and ultra-low quiescent current which make it ideal for use in various USB and portable devices.

The IC consists of a voltage reference, an error amplifier, a resistor network for setting output voltage, a current limit circuit for current protection, and a chip enable circuit.

The AP7381 has 2.8V, 3.3V, 5V and 7V fixed voltage version.

The AP7381 is available in space-saving SOT23, SOT89 and TO92 (Ammo Packing) packages.

## Features

- Wide Input Voltage Range: Up to 40V
- Low Dropout Voltage:  $V_{DRO} = 1000mV @ I_{OUT} = 100mA @ V_{OUT} = 3.3V$
- Low Ground Current
- High Output Voltage Accuracy
- Compatible with Low ESR Ceramic Capacitor
- Excellent Line/Load Regulation
- Thermal Shutdown Function
- Short Current Protection Function
- Moisture Sensitivity:
  - SOT23: Level 1 per J-STD-020
  - SOT89/TO92 (Ammo Packing): Level 3 per J-STD-020
- Terminals: Finish Matte Tin Plated Leads, Solderable per MIL-STD-202, Method 208 
- Weight:
  - SOT89: 0.062 grams (Approximate)
  - TO92 (Ammo Packing): 0.157 grams (Approximate)
  - SOT23: 0.009 grams (Approximate)
- **Totally Lead-Free & Fully RoHS Compliant (Notes 1 & 2)**
- **Halogen and Antimony Free. "Green" Device (Note 3)**
- **For automotive applications requiring specific change control (i.e. parts qualified to AEC-Q100/101/200, PPAP capable, and manufactured in IATF 16949 certified facilities), please [contact us](mailto:contact@diodes.com) or your local Diodes representative. <https://www.diodes.com/quality/product-definitions/>**

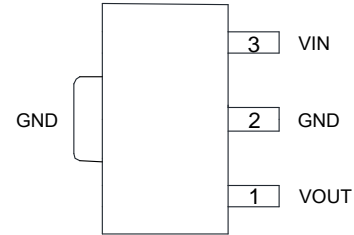
## Applications

- E-Meter
- Battery-powered Equipment
- Laptop, Palmtops, Notebook Computers
- Portable Information Appliances

Notes: 1. No purposely added lead. Fully EU Directive 2002/95/EC (RoHS), 2011/65/EU (RoHS 2) & 2015/863/EU (RoHS 3) compliant.  
 2. See <https://www.diodes.com/quality/lead-free/> for more information about Diodes Incorporated's definitions of Halogen- and Antimony-free, "Green" and Lead-free.  
 3. Halogen- and Antimony-free "Green" products are defined as those which contain <900ppm bromine, <900ppm chlorine (<1500ppm total Br + Cl) and <1000ppm antimony compounds.

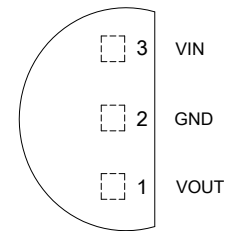
## Pin Assignments

(Top View)



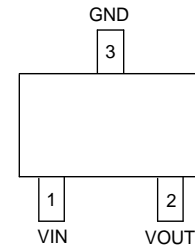
SOT89

(Top View)



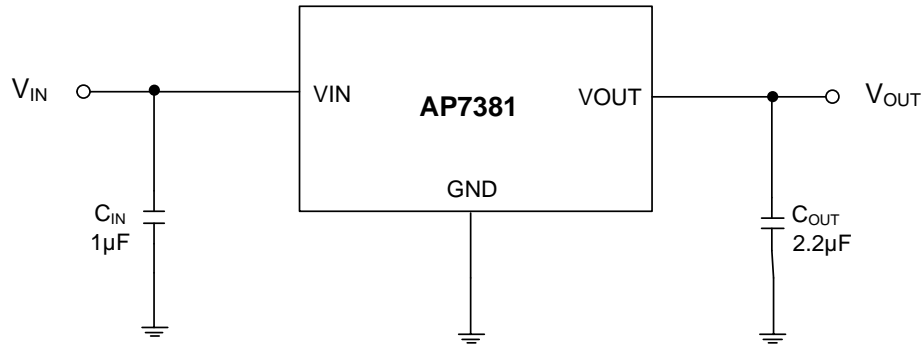
TO92 (Ammo Packing)

(Top View)



SOT23

## Typical Applications Circuit



## Pin Descriptions

Pin Number			Pin Name	Function
TO92 (Ammo Packing)	SOT89	SOT23		
3	3	1	VIN	Input voltage
2	2	3	GND	Ground
1	1	2	VOUT	Regulated output voltage

## Absolute Maximum Ratings (Note 4)

Symbol	Parameter	Rating	Unit	
V <sub>IN</sub>	Supply Input Voltage	-0.3 to 45	V	
V <sub>OUT</sub>	Output Voltage	-0.3 to 8	V	
I <sub>OUT</sub>	Output Current	150	mA	
T <sub>LEAD</sub>	Lead Temperature (Soldering, 10s)	+260	°C	
T <sub>J</sub>	Operating Junction Temperature	+150	°C	
θ <sub>JA</sub>	Thermal Resistance	SOT89	125	°C/W
		TO92 (Ammo Packing)	165	
		SOT23	167	
T <sub>STG</sub>	Storage Temperature Range	-65 to +150	°C	
CDM	ESD (Change Device Model)	2000	V	
HBM	ESD (Human Body Model)	4000	V	

- Note: 4. a). Stresses beyond those listed under *Absolute Maximum Ratings* can cause permanent damage to the device. These are stress ratings only, and functional operation of the device at these conditions is not implied. Exposure to absolute-maximum-rated conditions for extended periods can affect device reliability.  
 b). Ratings apply to ambient temperature at +25°C. The JEDEC High-K board design used to derive this data is a 2inch x 2inch multi-layer board with 1oz internal power and ground planes and 2oz copper traces on the top and bottom of the board.

## Recommended Operating Conditions

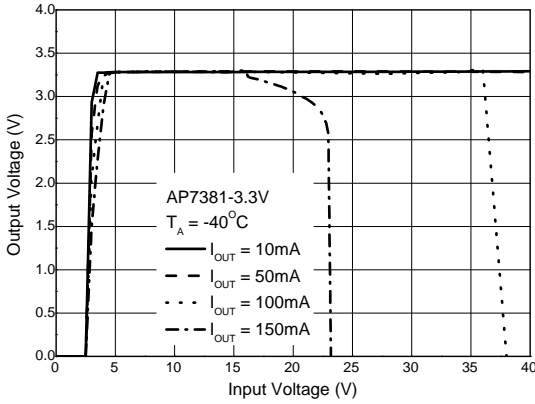
Symbol	Parameter	Min	Max	Unit
V <sub>IN</sub>	Supply Input Voltage	3.3	40	V
T <sub>J</sub>	Operating Junction Temperature	-40	+125	°C

**Electrical Characteristics** ( $T_J = +25^\circ\text{C}$ ,  $I_{OUT} = 1\text{mA}$ ,  $C_{IN} = 1.0\mu\text{F}$ ,  $C_{OUT} = 2.2\mu\text{F}$ ,  $V_{IN} = V_{OUT} + 2\text{V}$ , **Bold** typeface applies over  $-40^\circ\text{C} \leq T_J \leq +125^\circ\text{C}$ , unless otherwise specified.)

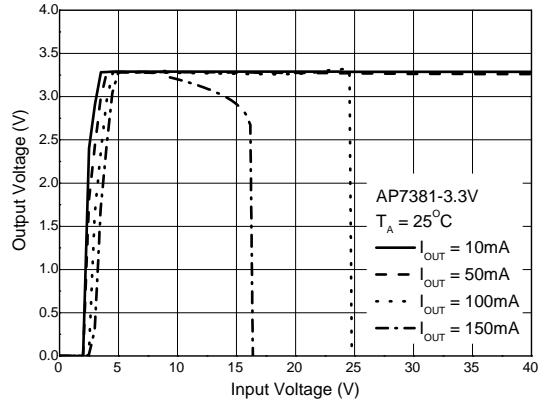
Symbol	Parameter	Test Conditions	Min	Typ	Max	Unit
$V_{OUT}$	Output Voltage	Variation from Specified $V_{OUT}$	$V_{OUT} \times 98\%$	—	$V_{OUT} \times 102\%$	V
$V_{IN}$	Input Voltage	—	3.3	—	40	V
$I_{LIMIT}$	Current Limit	$V_{OUT} = 98\% \times V_{OUT}$ , $V_{IN} = V_{OUT} + 2\text{V}$	150	—	—	mA
$\Delta V_{OUT} / \Delta V_{IN}$	Line Regulation	$V_{OUT} + 2\text{V} \leq V_{IN} \leq 40\text{V}$ , $I_{OUT} = 10\text{mA}$	—	0.05	—	%/V
$\Delta V_{OUT} / I_{OUT}$	Load Regulation	$1\text{mA} \leq I_{OUT} \leq 150\text{mA}$	—	0.5	—	%
$V_{DROP}$	Dropout Voltage	$I_{OUT} = 100\text{mA}$ @ $V_{OUT} = 3.3\text{V}$	—	1000	—	mV
$I_{GND}$	Ground Current	$I_{OUT} = 0\text{A}$	—	2.5	—	$\mu\text{A}$
		$I_{OUT} = 100\text{mA}$	—	25	—	
$\Delta V_{OUT} / (V_{OUT} \times \Delta T)$	Output Voltage Temperature Coefficient	$I_{OUT} = 100\mu\text{A}$ , $-40^\circ\text{C} \leq T_J \leq +125^\circ\text{C}$	—	<b><math>\pm 100</math></b>	—	ppm/ $^\circ\text{C}$
$T_{OTSD}$	Thermal Shutdown Temperature	—	—	+160	—	$^\circ\text{C}$
$T_{HYOTSD}$	Thermal Shutdown Hysteresis	—	—	+20	—	$^\circ\text{C}$
PSRR	Power Supply Rejection Ratio	$I_{OUT} = 1\text{mA}$ , $V_{OUT} = 3.3\text{V}$	—	60	—	dB

**Performance Characteristics**

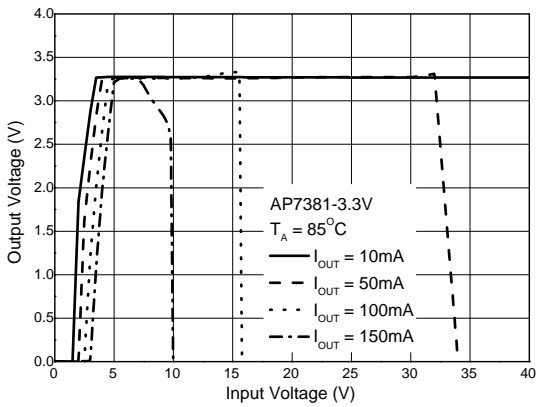
**Output Voltage vs. Input Voltage @-40°C**



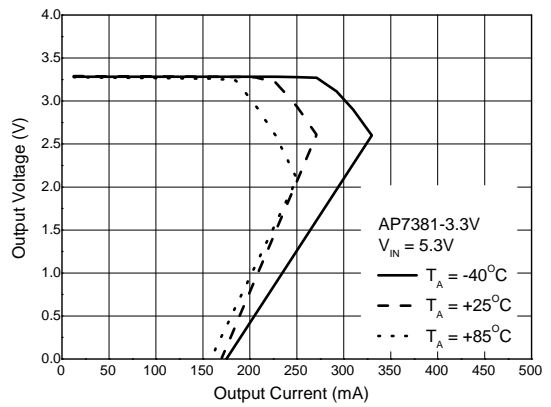
**Output Voltage vs. Input Voltage @+25°C**



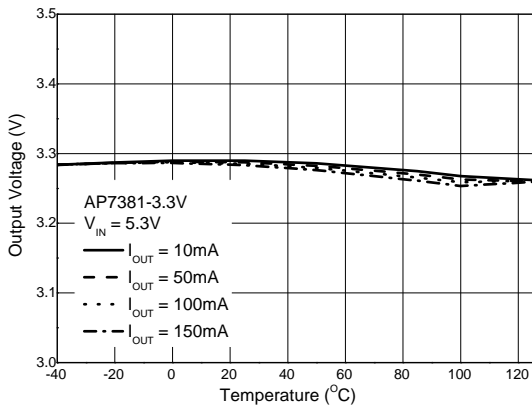
**Output Voltage vs. Input Voltage @+85°C**



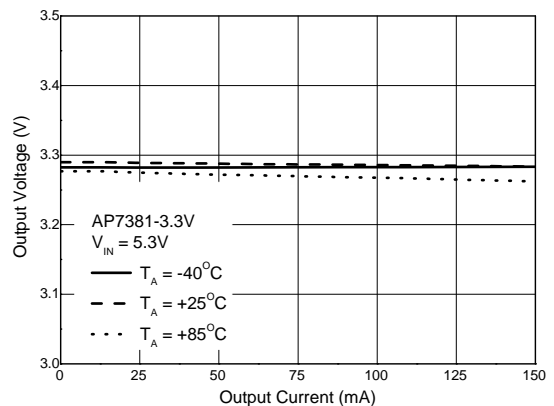
**Output Voltage vs. Output Current**



**Output Voltage vs. Temperature**

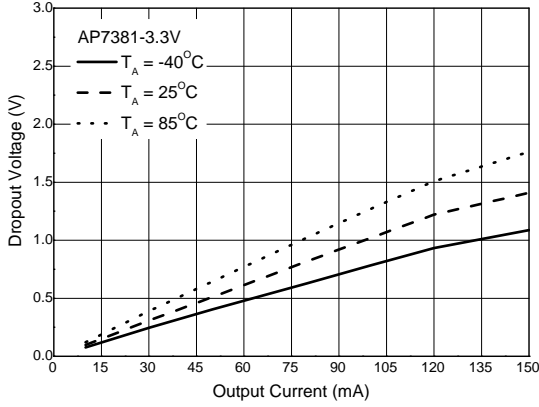


**Output Voltage vs. Output Current**

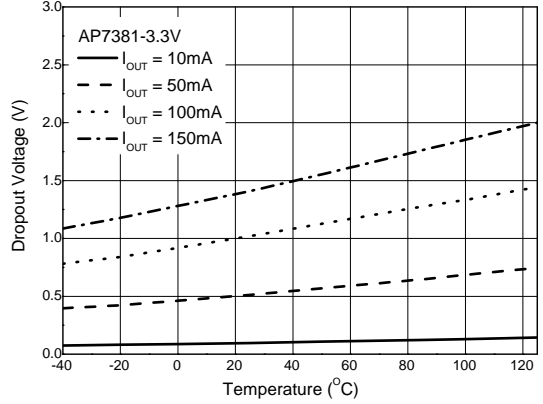


**Performance Characteristics** (continued)

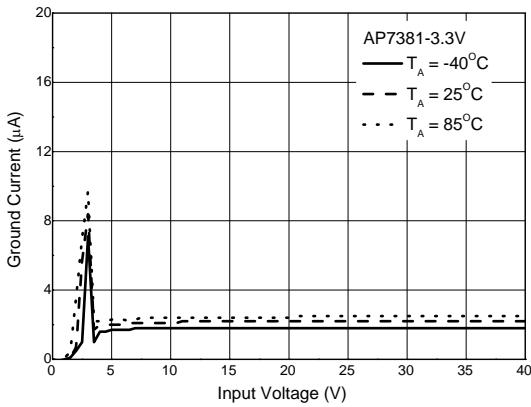
**Dropout Voltage vs. Output Current**



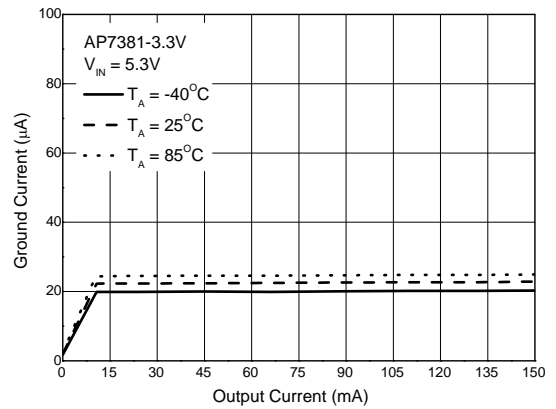
**Dropout Voltage vs. Temperature**



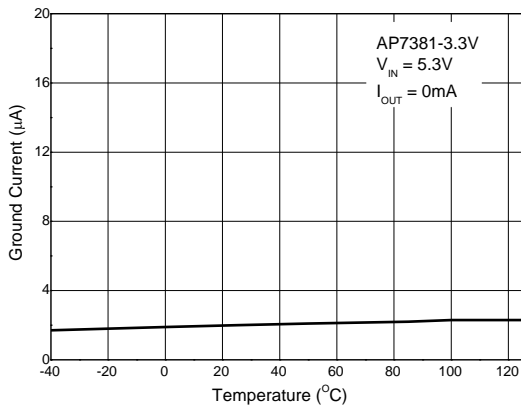
**$I_{GND}$  vs. Input Voltage**



**$I_{GND}$  vs. Output Current**

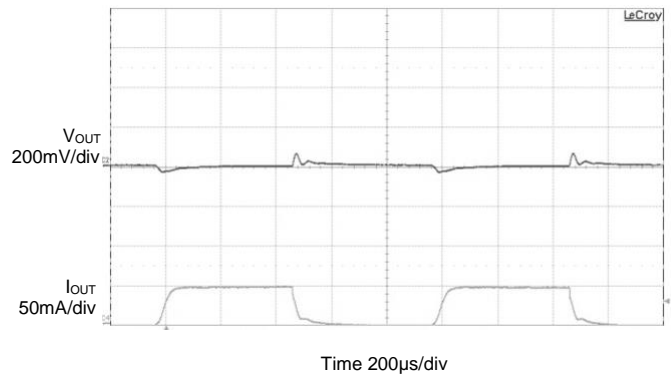


**$I_{GND}$  vs Temperature**



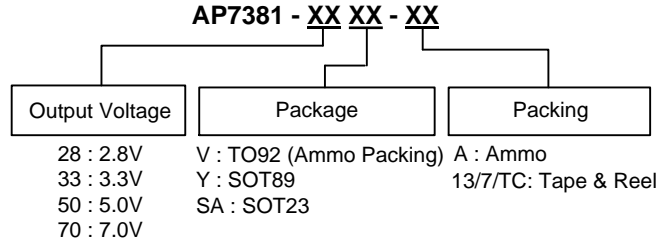
**Load Transient**

$C_{IN} = 1\mu\text{F}$ ,  $C_{OUT} = 2.2\mu\text{F}$ ,  $V_{IN} = V_{OUT} + 2\text{V}$ ,  $I_{OUT} = 0$  to  $50\text{mA}$



NEW PRODUCT

**Ordering Information** (Note 5)



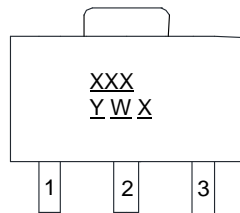
Part Number	Package Code	Packaging	Tape and Reel/Ammo	
			Quantity	Part Number Suffix
AP7381-28V-A	V	TO-92 (Ammo Packing)	2000/Ammo	-A
AP7381-33V-A	V	TO92 (Ammo Packing)	2000/Ammo	-A
AP7381-50V-A	V	TO92 (Ammo Packing)	2000/Ammo	-A
AP7381-70V-A	V	TO92 (Ammo Packing)	2000/Ammo	-A
AP7381-28Y-13	Y	SOT89	2500/Tape & Reel	-13
AP7381-33Y-13	Y	SOT89	2500/Tape & Reel	-13
AP7381-50Y-13	Y	SOT89	2500/Tape & Reel	-13
AP7381-70Y-13	Y	SOT89	2500/Tape & Reel	-13
AP7381-33Y-TC	Y	SOT89	4000/Tape & Reel	-TC
AP7381-28SA-7	SA	SOT23	3000/Tape & Reel	-7
AP7381-33SA-7	SA	SOT23	3000/Tape & Reel	-7
AP7381-50SA-7	SA	SOT23	3000/Tape & Reel	-7
AP7381-70SA-7	SA	SOT23	3000/Tape & Reel	-7

Note: 5. For packaging details, go to our website at <https://www.diodes.com/design/support/packaging/diodes-packaging/>.

**Marking Information**

(1) SOT89

(Top View)



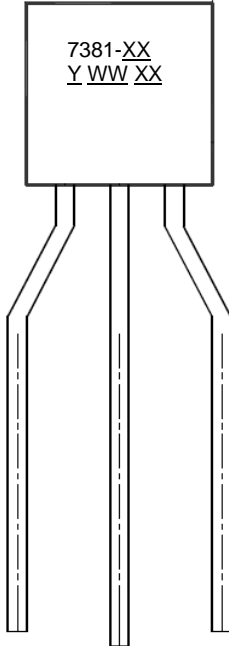
XXX : Identification Code  
Y : Year : 0 ~ 9  
W : Week : A ~ Z : 1 ~ 26 Week;  
a ~ z : 27 ~ 52 Week;  
z Represents 52 and 53 Week  
X : Internal Code

Part Number	Package	Identification Code
AP7381-28Y-13	SOT89	D9C
AP7381-33Y-13	SOT89	D9A
AP7381-50Y-13	SOT89	D9B
AP7381-70Y-13	SOT89	D9D
AP7381-33Y-TC	SOT89	D9A

**Marking Information** (continued)

(2) TO92 (Ammo Packing)

(Front View)

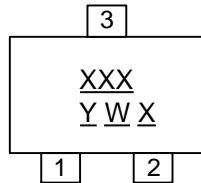


7381-XX : Identification Code  
Y : Year : 0 ~ 9  
WW : Week : 01 ~ 52; 52  
 Represents 52 and 53 Week  
XX : Internal Code

Part Number	Package	Identification Code
AP7381-28V-A	TO92 (Ammo Packing)	7381-28
AP7381-33V-A	TO92 (Ammo Packing)	7381-33
AP7381-50V-A	TO92 (Ammo Packing)	7381-50
AP7381-70V-A	TO92 (Ammo Packing)	7381-70

(3) SOT23

(Top View)

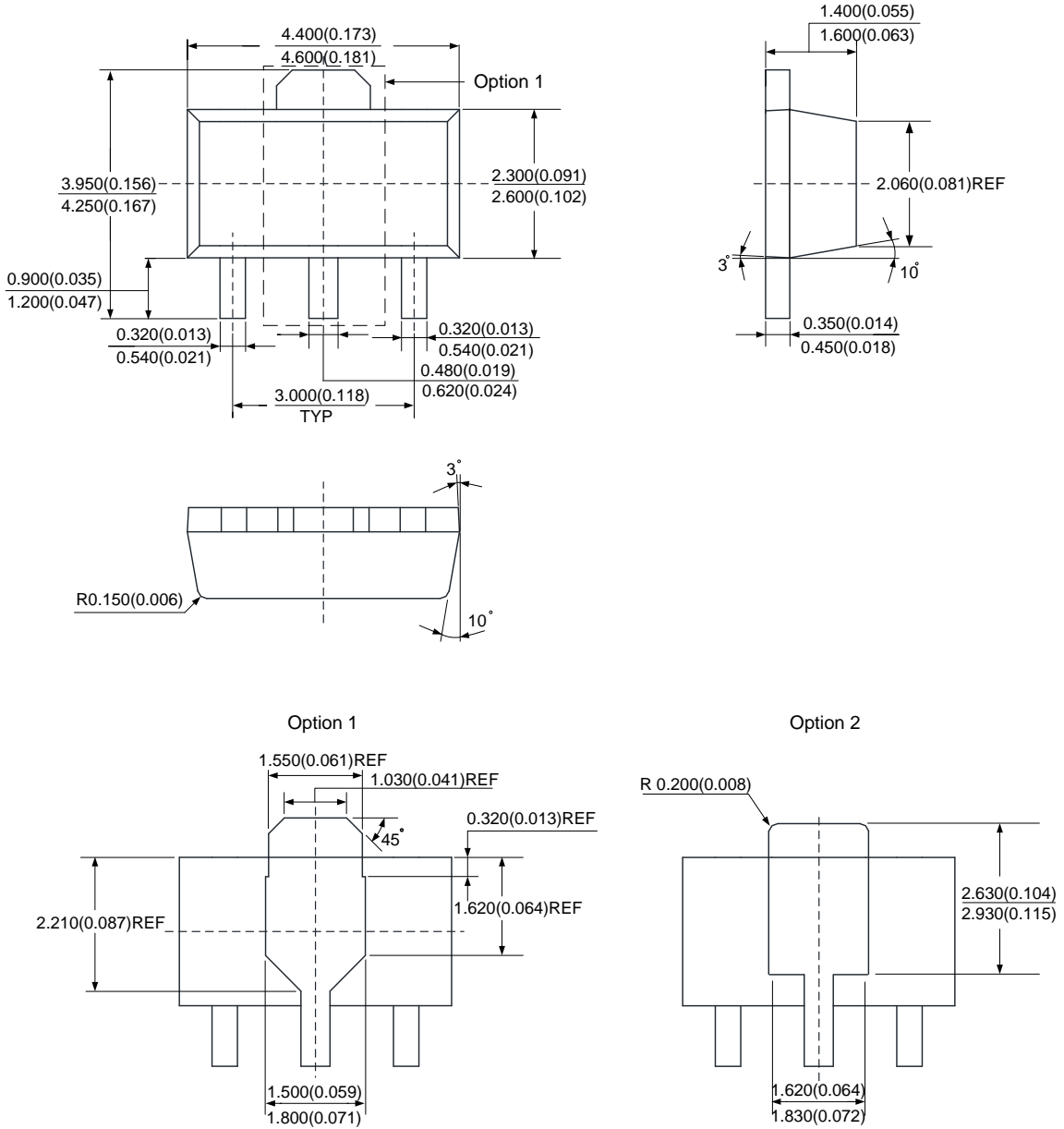


XXX : Identification Code  
Y : Year 0 to 9  
W : Week : A to Z : 1 to 26 week;  
 a to z : 27 to 52 week; z represents  
 52 and 53 week  
X : Internal Code

Part Number	Package	Identification Code
AP7381-28SA-7	SOT23	D9C
AP7381-33SA-7	SOT23	D9A
AP7381-50SA-7	SOT23	D9B
AP7381-70SA-7	SOT23	D9D

**Package Outline Dimensions** (All dimensions in mm.)

(1) Package Type: SOT89

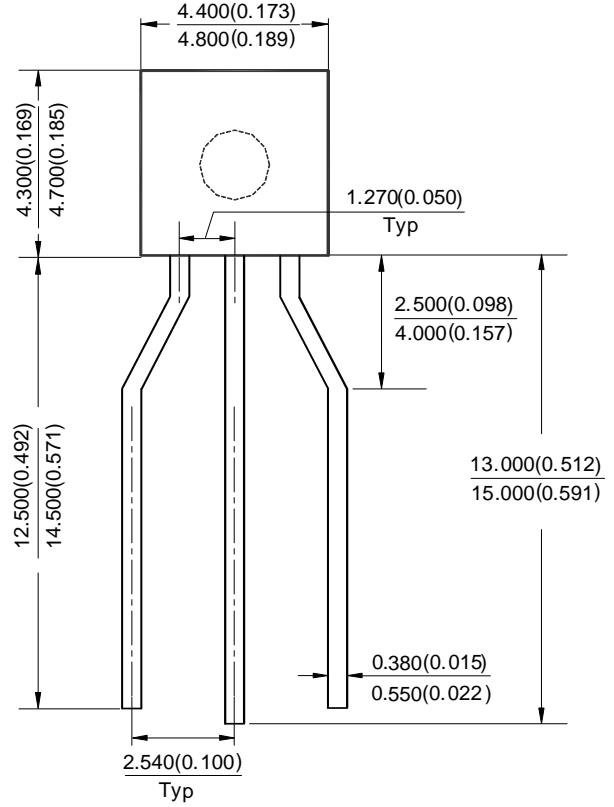
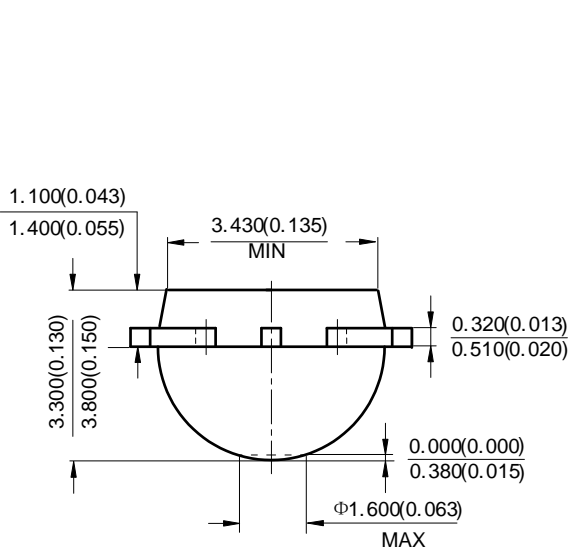


NEW PRODUCT



**Package Outline Dimensions** (All dimensions in mm.) (continued)

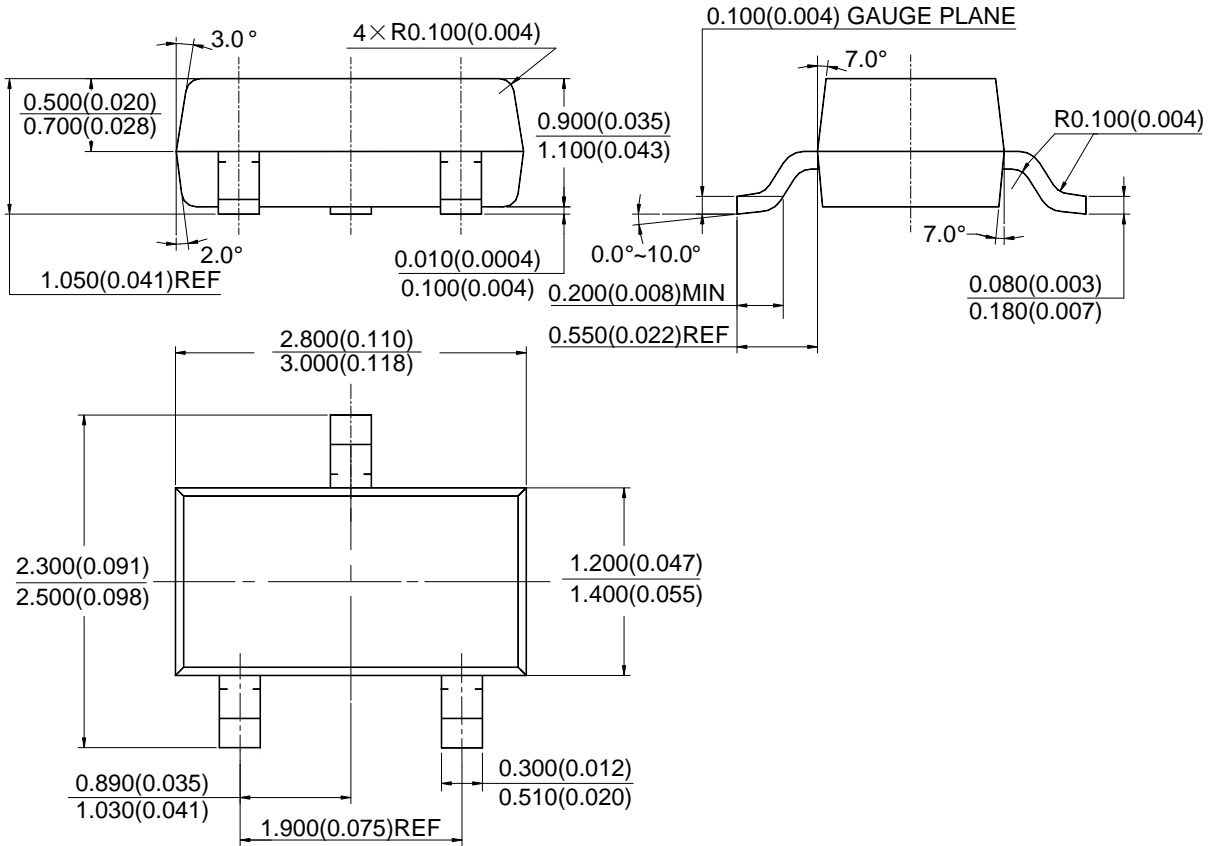
(2) Package Type: TO92 ( Ammo Packing)



NEW PRODUCT

**Package Outline Dimensions** (All dimensions in mm.) (continued)

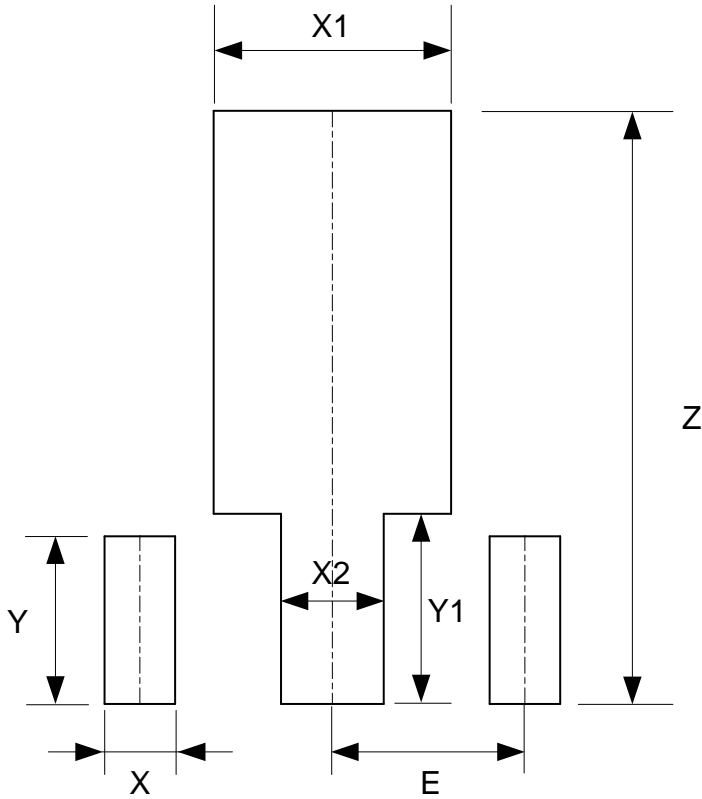
(3) Package Type: SOT23



NEW PRODUCT

**Suggested Pad Layout**

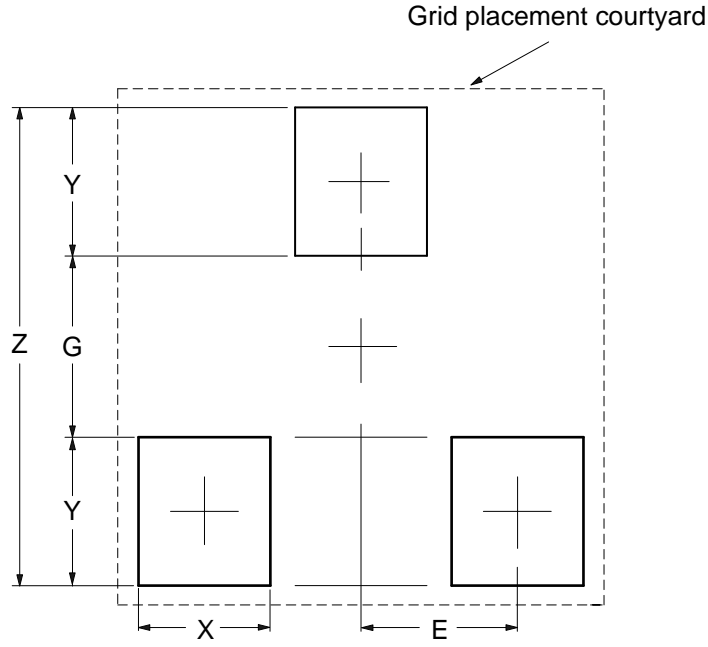
(1) Package Type: SOT89



Dimensions	Z (mm)/(inch)	X (mm)/(inch)	X1 (mm)/(inch)	X2 (mm)/(inch)	Y (mm)/(inch)	Y1 (mm)/(inch)	E (mm)/(inch)
Value	4.600/0.181	0.550/0.022	1.850/0.073	0.800/0.031	1.300/0.051	1.475/0.058	1.500/0.059

**Suggested Pad Layout** (continued)

(2) Package Type: SOT23



Dimensions	Z (mm)/(inch)	G (mm)/(inch)	X (mm)/(inch)	Y (mm)/(inch)	E (mm)/(inch)
Value	2.900/0.114	1.100/0.043	0.800/0.031	0.900/0.035	0.950/0.037

NEW PRODUCT

**IMPORTANT NOTICE**

DIODES INCORPORATED MAKES NO WARRANTY OF ANY KIND, EXPRESS OR IMPLIED, WITH REGARDS TO THIS DOCUMENT, INCLUDING, BUT NOT LIMITED TO, THE IMPLIED WARRANTIES OF MERCHANTABILITY AND FITNESS FOR A PARTICULAR PURPOSE (AND THEIR EQUIVALENTS UNDER THE LAWS OF ANY JURISDICTION).

Diodes Incorporated and its subsidiaries reserve the right to make modifications, enhancements, improvements, corrections or other changes without further notice to this document and any product described herein. Diodes Incorporated does not assume any liability arising out of the application or use of this document or any product described herein; neither does Diodes Incorporated convey any license under its patent or trademark rights, nor the rights of others. Any Customer or user of this document or products described herein in such applications shall assume all risks of such use and will agree to hold Diodes Incorporated and all the companies whose products are represented on Diodes Incorporated website, harmless against all damages.

Diodes Incorporated does not warrant or accept any liability whatsoever in respect of any products purchased through unauthorized sales channel. Should Customers purchase or use Diodes Incorporated products for any unintended or unauthorized application, Customers shall indemnify and hold Diodes Incorporated and its representatives harmless against all claims, damages, expenses, and attorney fees arising out of, directly or indirectly, any claim of personal injury or death associated with such unintended or unauthorized application.

Products described herein may be covered by one or more United States, international or foreign patents pending. Product names and markings noted herein may also be covered by one or more United States, international or foreign trademarks.

This document is written in English but may be translated into multiple languages for reference. Only the English version of this document is the final and determinative format released by Diodes Incorporated.

**LIFE SUPPORT**

Diodes Incorporated products are specifically not authorized for use as critical components in life support devices or systems without the express written approval of the Chief Executive Officer of Diodes Incorporated. As used herein:

A. Life support devices or systems are devices or systems which:

1. are intended to implant into the body, or
2. support or sustain life and whose failure to perform when properly used in accordance with instructions for use provided in the labeling can be reasonably expected to result in significant injury to the user.

B. A critical component is any component in a life support device or system whose failure to perform can be reasonably expected to cause the failure of the life support device or to affect its safety or effectiveness.

Customers represent that they have all necessary expertise in the safety and regulatory ramifications of their life support devices or systems, and acknowledge and agree that they are solely responsible for all legal, regulatory and safety-related requirements concerning their products and any use of Diodes Incorporated products in such safety-critical, life support devices or systems, notwithstanding any devices- or systems-related information or support that may be provided by Diodes Incorporated. Further, Customers must fully indemnify Diodes Incorporated and its representatives against any damages arising out of the use of Diodes Incorporated products in such safety-critical, life support devices or systems.

Copyright © 2020, Diodes Incorporated

[www.diodes.com](http://www.diodes.com)