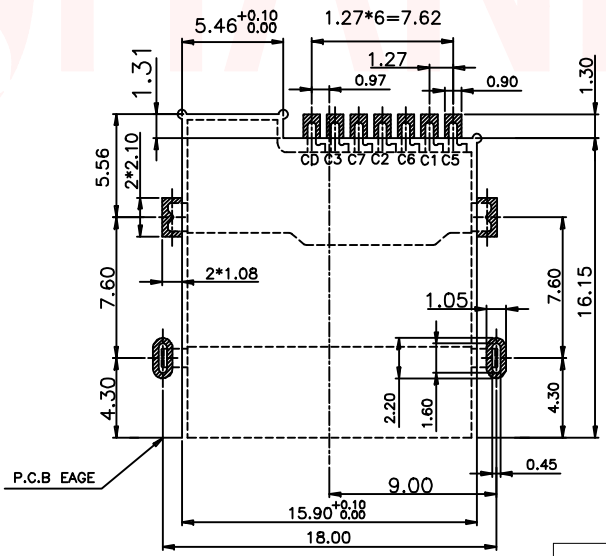
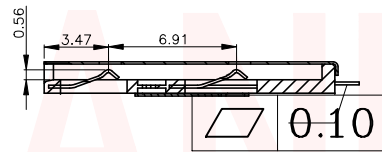
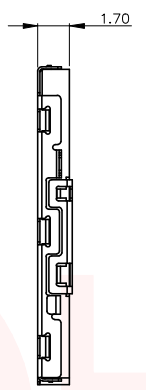
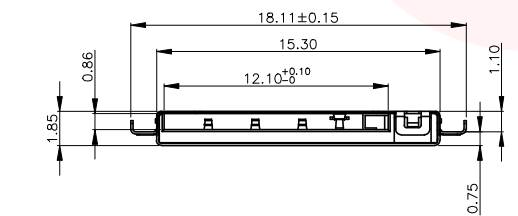
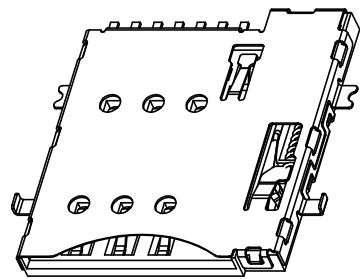
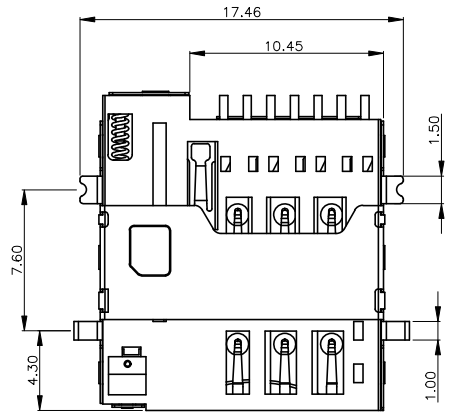
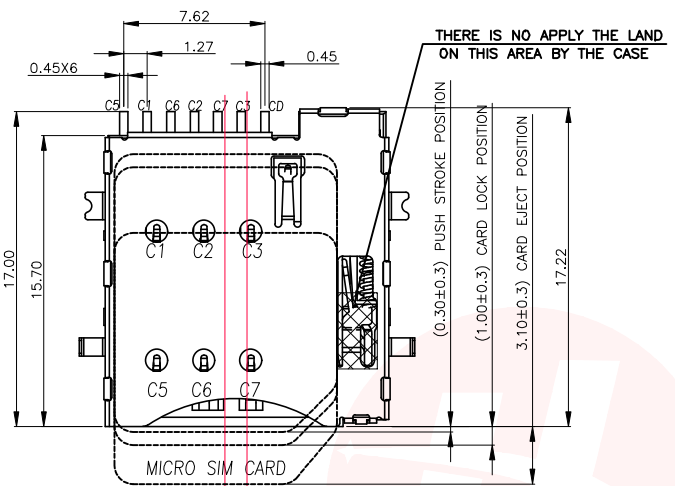
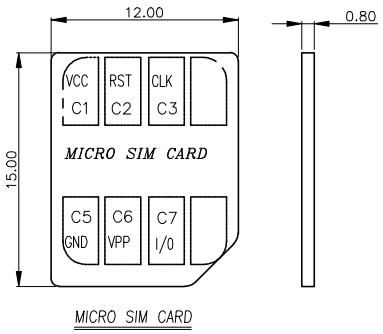
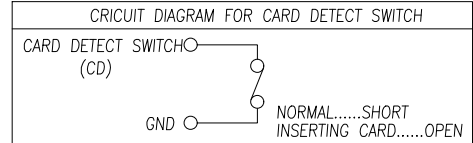




5	6
REV.	ECN NO OR DESCRIPTION
REVISED	DATE



- 1) MATERIAL:
 - 1.1 HOUSING:LCP,UL94-V0,COLOR:BLACK
 - 1.2 CONTACT:C5210-EH
 - 1.3 SHELL:SUS304-H
- 2) FINISH:
 - 2.1 TERMINAL:50 u" Min.NICKEL PLATED OVERALL
 - 2.2 CONTACT:GOLD FLASH PLATED ON CONTACT AREA; GOLD FLASH PLATED ON SOLDER TAILS;
- 3) ELECTRICAL CHARACTERISTICS
 - RATING CURRENT : 0.5A MAX.
 - CONTACT RESISTANCE :30 mΩ MAX
 - DIELECTRIC WITHSTANDING : 500V AC MIN.
 - INSULATION RESISTANCE: 1000 MΩ MIN.
- 4) MECHANICAL CHARACTERISTICS
 - MATING CYCLE :3000 CYCLES
 - Contact retention force: 50gf/pin Min.



SIM pin Assignment	
PIN#	Name
C1	VCC
C2	RST
C3	CLK
C5	GND
C6	VPP
C7	I/O

■ CIRCUT TRACE KEEP OUT AREA
 ■ SMT SOLDER AREA
 THERE SHOULD NOT BE ANY CIRCUITRIES IN THE LAYOUT SPACE OF THE PRODUCTS.
RECOMMENDED PCB LAYOUT
 GENERAL TOLERANCE ±0.05

UNLESS OTHERWISE SPECIFIED TOLERANCES

DECIMALS:	ANGLES:
X :±0.35	X :±2°
X.X :±0.25	X.X :±1°
X.XX :±0.15	

东莞市汉博电子科技有限公司
 DONGGUAN HANBO TECHNOLOGY CO., LTD

TITLE	MICRO SIM CARD PUSH PUSH 6PIN 带CD PIN (试板1.1)		
DWN	xiong	PART NO. SMO-200S-P7C11	
CHKD	lee	SCALE:1:1	UNIT: mm
APVD	wang	SIZE: A4	SHEET:10F 1
		REV: A4	

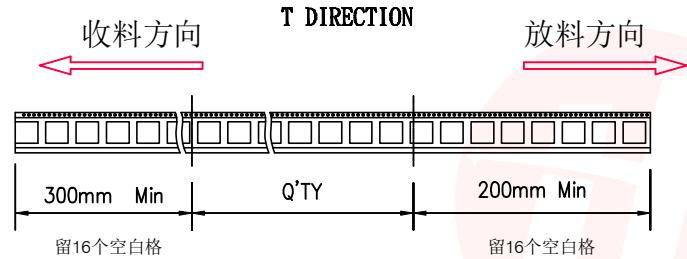
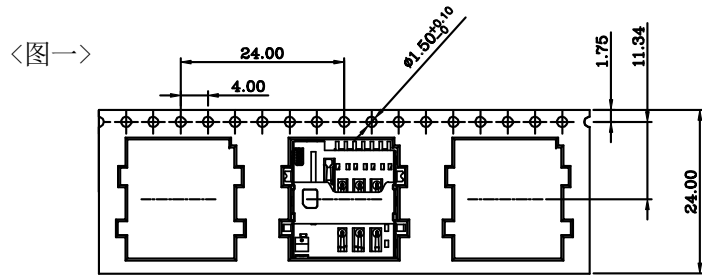
CUSTOMER COPY



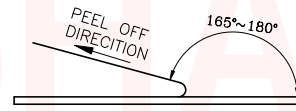
<TABLE 1> PACKAGING QUANTITY

QTY/REEL	REEL/CARTON	QTY/CARTON
1000	10	10000

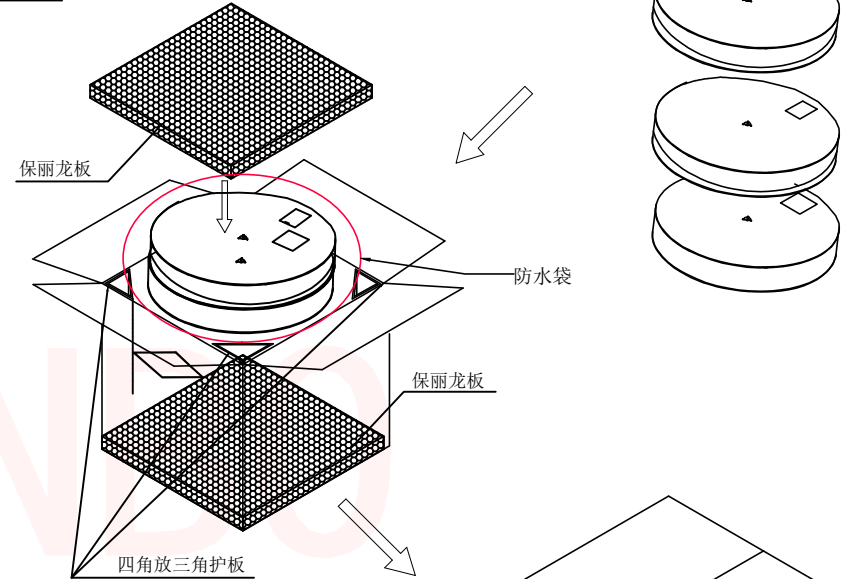
REV.	ECN NO OR DESCRIPTION	REVISED	DATE



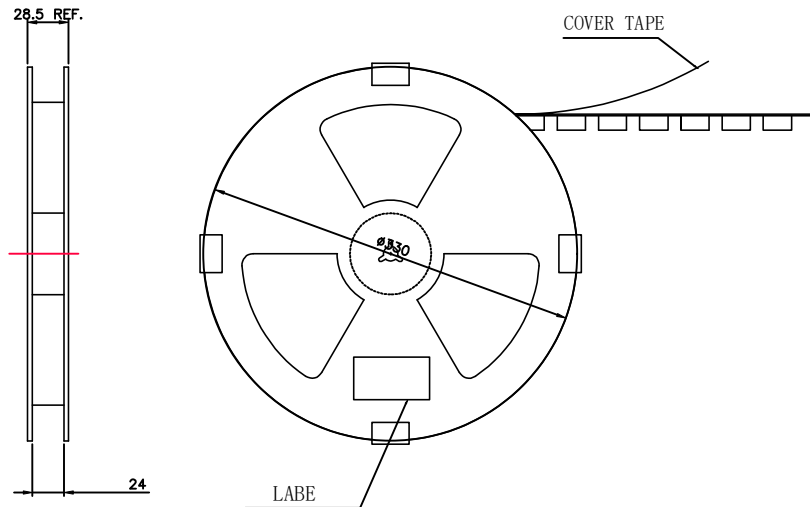
COVER TAPE PEELING FORCE: 20gf~100gf



<图三>



<图二>



NOTE:

1. 依<图一>示放置产品于下载中, 每穴放置1PCS产品.
2. 包装机包好后, 在REEL的个等分点贴上胶带, 以防止REEL张开, 每REEL贴1PCS标签, 如<图二>示
3. 包装数量见如<TABLE 1>示
4. 包装成箱见如<图三>示
箱底放保利龙板, 再依次将指定数量的卷装产品用防水袋包好放入箱内, 四角分别放入四个三角护板, 最上层再放上保利龙板.
5. 封箱, 在封好的纸箱上按客户要求写上料号, 数量等

UNLESS OTHERWISE SPECIFIED TOLERANCES

DECIMALS:	ANGLES:
X :±0.35	X :±2°
X.X :±0.25	X.X :±1°
X.XX :±0.15	



东莞市汉博电子科技有限公司
DONGGUAN HANBO TECHNOLOGY CO., LTD

TITLE	MICRO SIM CARD PUSH PUSH 6PIN 带CD PIN (沉板1.1) 包装图		
DWN	xiong	PART NO. SMO-200S-P7C11	
CHKD	lee	SCALE: 1:1	UNIT: mm
APVD	wang	SIZE: A4	SHEET: 10F 1
REV: A4			
CUSTOMER COPY			