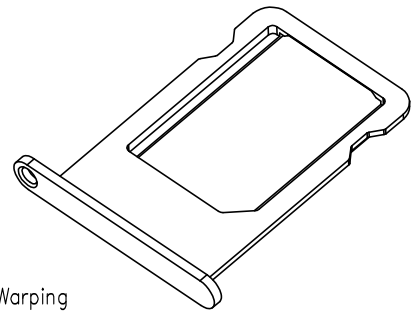
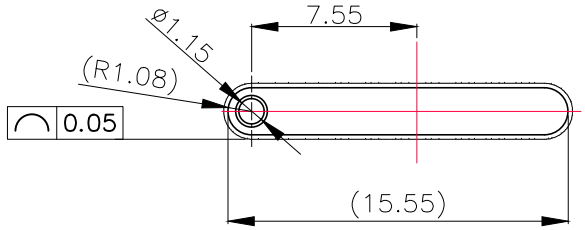
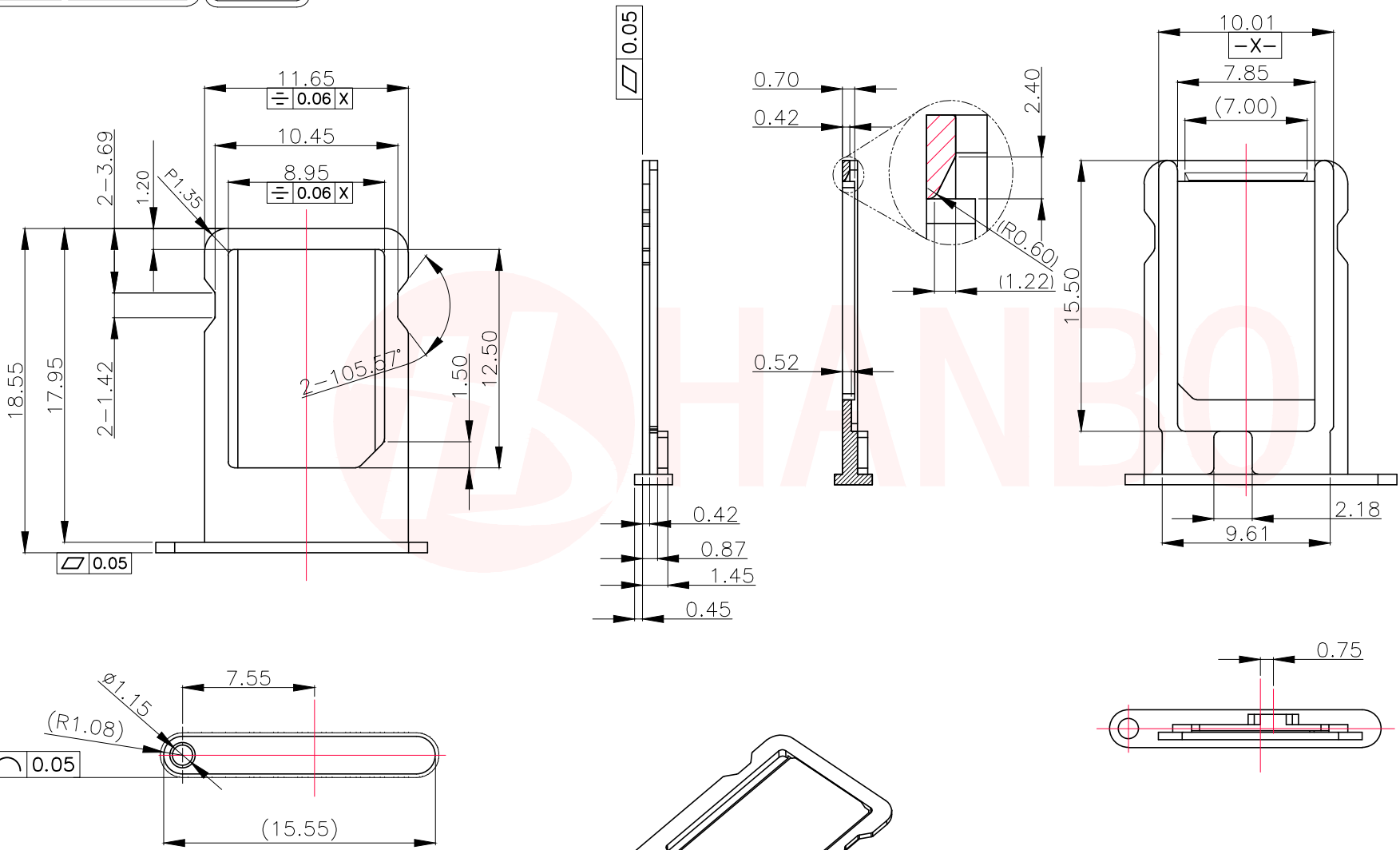




REV.	ECN NO OR DESCRIPTION	REVISED	DATE



NOTE:

- △ Powder Metallurgy Material: Stainless Steel /kirsite
- △ Finish: PVD/Electrophoresis
- Appearance is not Acceptable: Corrosion, Poor Coating, Scratches, Warping, Sharp Edges (saw burrs), Bumps, Poor Plating, Stains
- Surface needs to be Done to Deal with Passivation
- Unless Otherwise 0.10mm Round;

UNLESS OTHERWISE SPECIFIED TOLERANCES		东莞市汉博电子科技有限公司 DONGGUAN HANBO TECHNOLOGY CO., LTD			
DECIMALS:	ANGLES:	TITLE NANO SIM 1.5H 卡托			
X : ±0.35	X : ±2°	DWN	xiong	PART NO. SNO-1460-KT	
X.X : ±0.25	X.X : ±1°	CHKD	lee	SCALE: 1:1	UNIT: mm
X.XX : ±0.15		APVD	wang	SIZE: A4	SHEET: 1 OF 1
REV: A4					
CUSTOMER COPY					