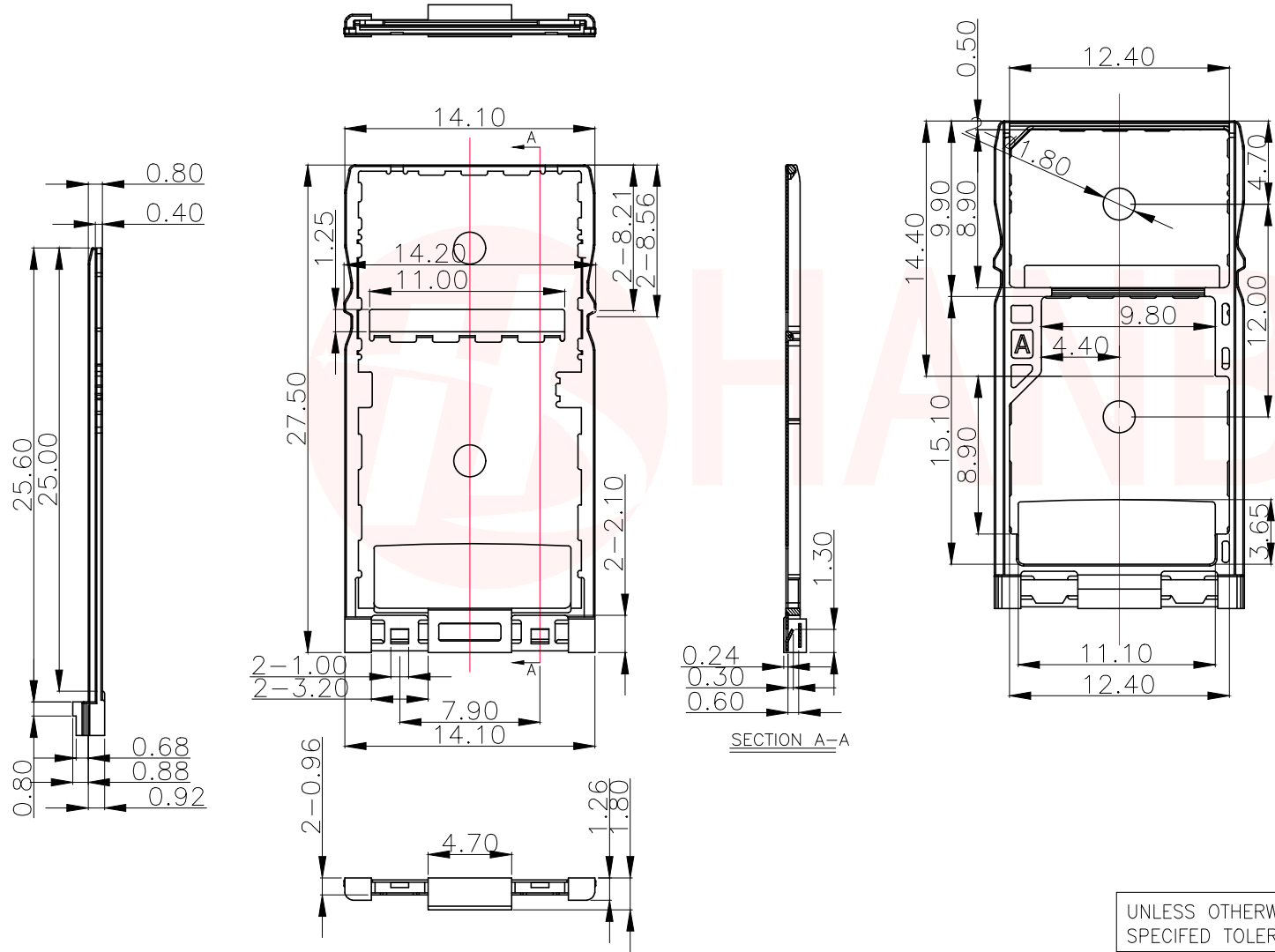
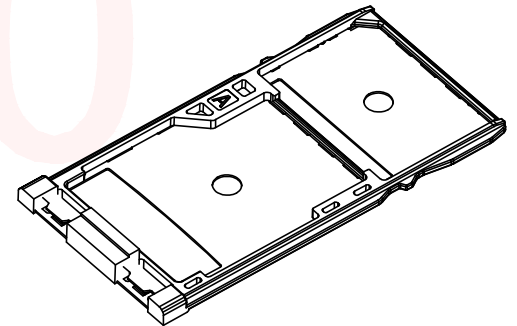




REV.	ECN NO OR DESCRIPTION	REVISED	DATE



- NOTES:
- MATERIAL:
 - 1.1 Tray:PA66 Color:Black.
 - 1.2 Inlay:Stainless Steel,T=0.12mm.
 - SPECIALITY:
 - 2.1 Durability:1000 Cycles.



UNLESS OTHERWISE SPECIFIED TOLERANCES		东莞市汉博电子科技有限公司 DONGGUAN HANBO TECHNOLOGY CO., LTD			
DECIMALS:	ANGLES:	TITLE	1.35H 3 CHOOSE 2 CARD 塑胶卡托		
X :±0.30	X :±2°	DWN	xiong	PART NO. MCS-110-KT	
X.X :±0.20	X.X :±1°	CHKD	lee	SCALE:1:1	UNIT: mm
X.XX :±0.10		APVD	wang	SIZE: A4	SHEET:10F 1
		REV: A4			
CUSTOMER COPY					