



REV.	ECN NO OR DESCRIPTION	REVISED	DATE

A

B

C

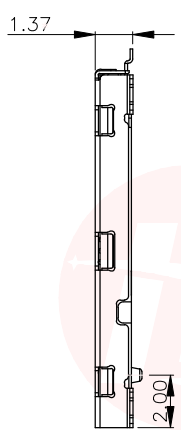
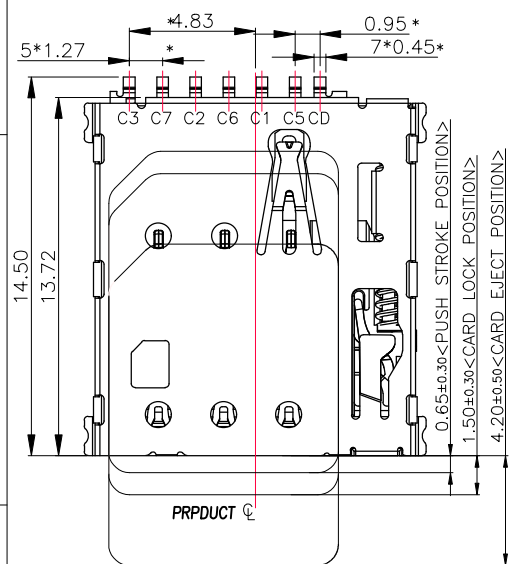
D

A

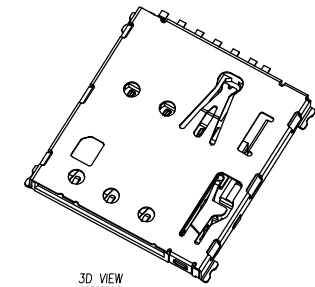
B

C

D

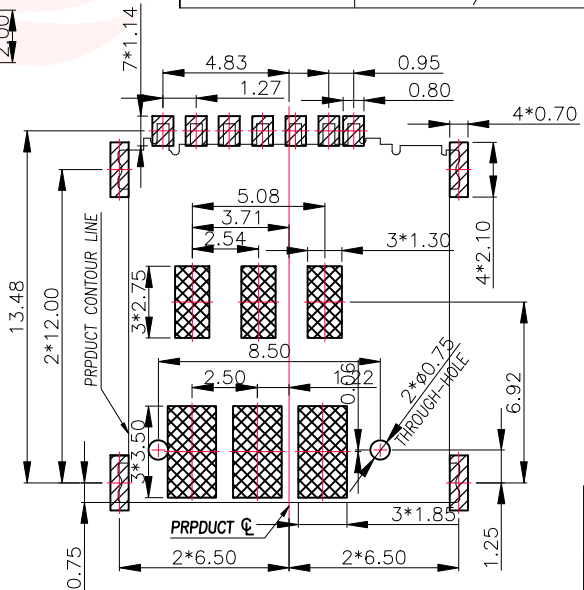
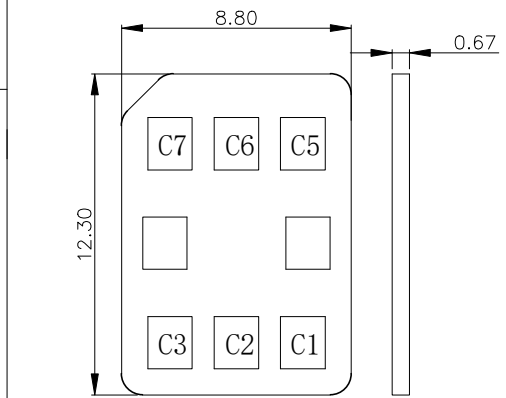
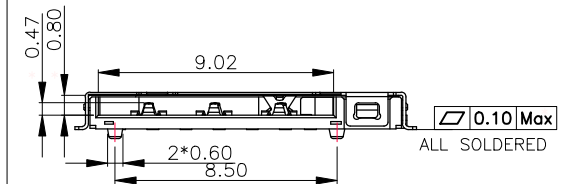


PIIN/NO	ASSIGNMENT
C1	VCC
C2	RST
C3	CLK
CD	Detect Switch
C5	GND
C6	VPP
C7	I/O



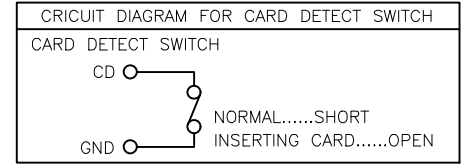
NOTES:

- MATERIAL:
HOUSING: High Temperature Thermoplastic
Terminal: Copper Alloy
Shell: Stainless Steel
- PLATING:
Terminal: 50u" Ni UNDERPLATED OVERALL
G/F PLATED ON CONTACT AREA AND SOLDER AREA
Shell: 30u" Ni UNDERPLATED OVERALL
G/F PLATED ON CONTACT AREA AND SOLDER AREA
- TECHNICAL SPECIALITY:
RATED VOLTAGE: 30V AC MAX.
CURRENT RATING: 0.5A MAX.
INSULATION RESISTANCE: 1000MΩ MIN
CONTACT RESISTANCE: 50mΩ MAX
WITHSTANDING VOLTAGE: 500V AC FOR 1 MINUTES
OPERATING TEMPERATURE:
-25°C~+85°C Humidity 80% R.H MAX
- DIMENSIONS WITH MARK * MUST BE MEASURE BY QC AND IPQC



RECOMMENDED PCB LAYOUT TOP VIEW (TOLERANCE:±0.05)
RECOMMENDED METAL MASK T=0.12mm

- SMT SOLDER AREA
- NO PATTERN AND VIA HOLE IN HTIS AREA



UNLESS OTHERWISE SPECIFIED TOLERANCES		东莞市汉博电子科技有限公司 DONGGUAN HANBO TECHNOLOGY CO., LTD			
DECIMALS:	ANGLES:	TITLE	1.37H NANO SIM CARD CONNECTOR		
X :±0.35	X° :±5°	DWN	xiong	PART NO. SNO-1351A	
X.X :±0.25	.X° :±3°	CHKD	lee	SCALE:1:1	UNIT: mm
X.XX :±0.15	X.X :±1°	APVD	wang	SIZE: A4	SHEET:10F 1
		REV: A4			
CUSTOMER COPY					

1

2

3

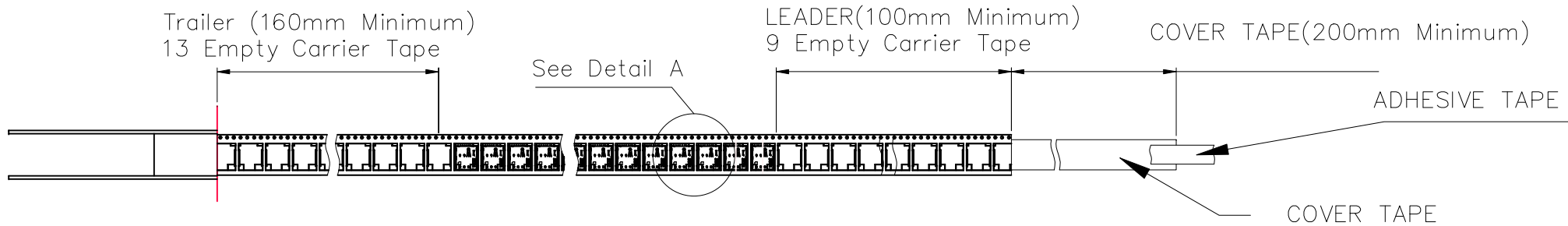
4

5

6

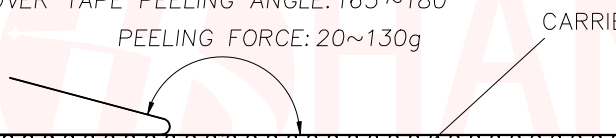
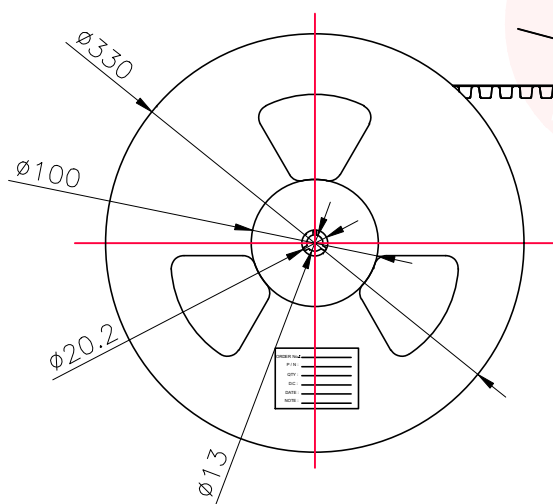


REV.	ECN NO OR DESCRIPTION	REVISED	DATE



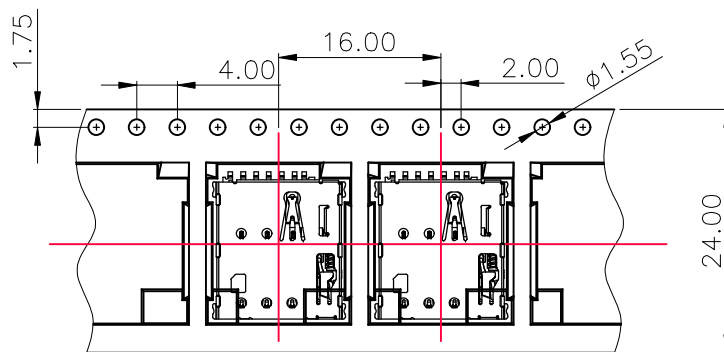
PACKAGING DIRECTION ← USER DIRECTION OF UNREELING →

COVER TAPE PEELING ANGLE: 165°~180°
PEELING FORCE: 20~130g



PACKAGING DIRECTION ←

USER DIRECTION OF UNREELING →



DETAIL A

2	SNO-1351A	1500	10	15000	350X350X340
---	-----------	------	----	-------	-------------

UNLESS OTHERWISE SPECIFIED TOLERANCES

DECIMALS:	ANGLES:
X : ±0.35	X.° : ±5°
X.X : ±0.25	.X° : ±3°
X.XX : ±0.15	X.X : ±1°



东莞市汉博电子科技有限公司
DONGGUAN HANBO TECHNOLOGY CO., LTD

TITLE	1.37H NANO SIM CARD CONNECTOR		
DWN	xiong	PART NO. SNO-1351A	
CHKD	lee	SCALE:1:1	UNIT: mm
APVD	wang	SIZE: A4	SHEET:1OF 1
REV: A4			
CUSTOMER COPY			