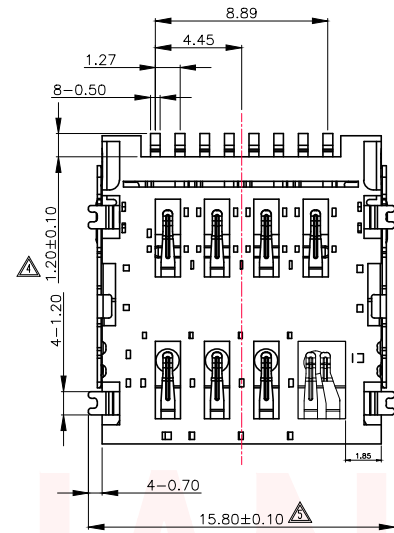
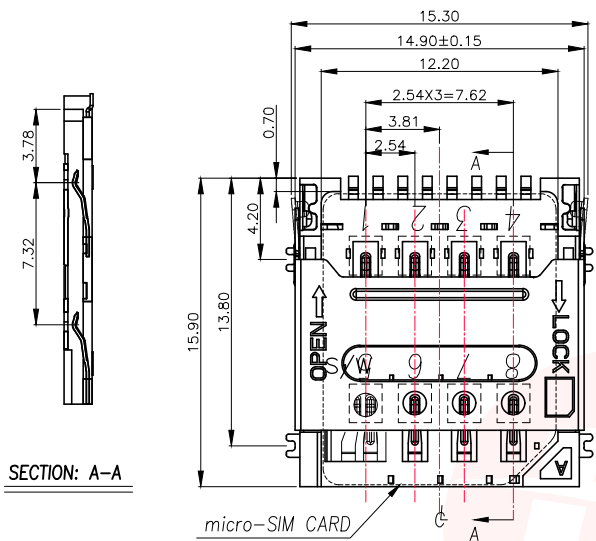


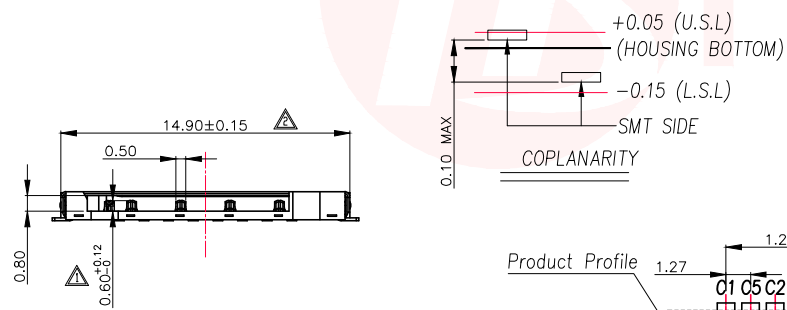


REV.	ECN NO OR DESCRIPTION	REVISED	DATE

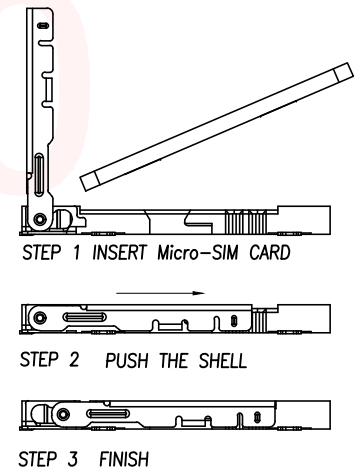


- NOTES:
- ELECTRICAL CHARACTERISTICS
 - CONTACT RESISTANCE: 60 Milliohms Max
 - INSULATION RESISTANCE: 1,000 Megohms Min.
 - DIELECTRIC WITHSTANDING VOLTAGE: 500V AC FOR 1 MINUTE.
 - MECHANICAL CHARACTERISTICS
 - OPERATION TEMPERATURE RANGE: -25°C~+70°C
 - DURABILITY: 5000 CYCLES
 - MATERIAL:
 - HOUSING: THERMOPLASTIC, UL 94-V0
 - TERMINAL: PHOSPHOR BRONZE, T=0.15
 - SHELL: STAINLESS STEEL, T=0.15
 - FINISHED:
 - TERMINAL: Ni PLATED UNDER, Au PLATED ON CONTACT AREA, G/F PLATED ON SOLDER TAIL

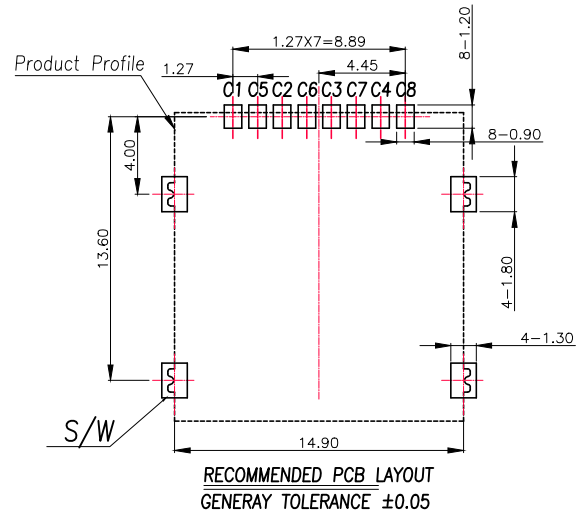
SECTION: A-A



WITHDRAWAL CARD		INSERT CARD	
GROUND PIN (C5)	Switch Pin (S/W)	GROUND PIN (C5)	Switch Pin (S/W)



SIM CARD	
Pin No.	NAME
C1	VCC
C2	RST
C3	CLK
C4	RESERVED
C5	GND
C6	VPP
C7	I/O
C8	RESERVED
S/W	Switch Pin

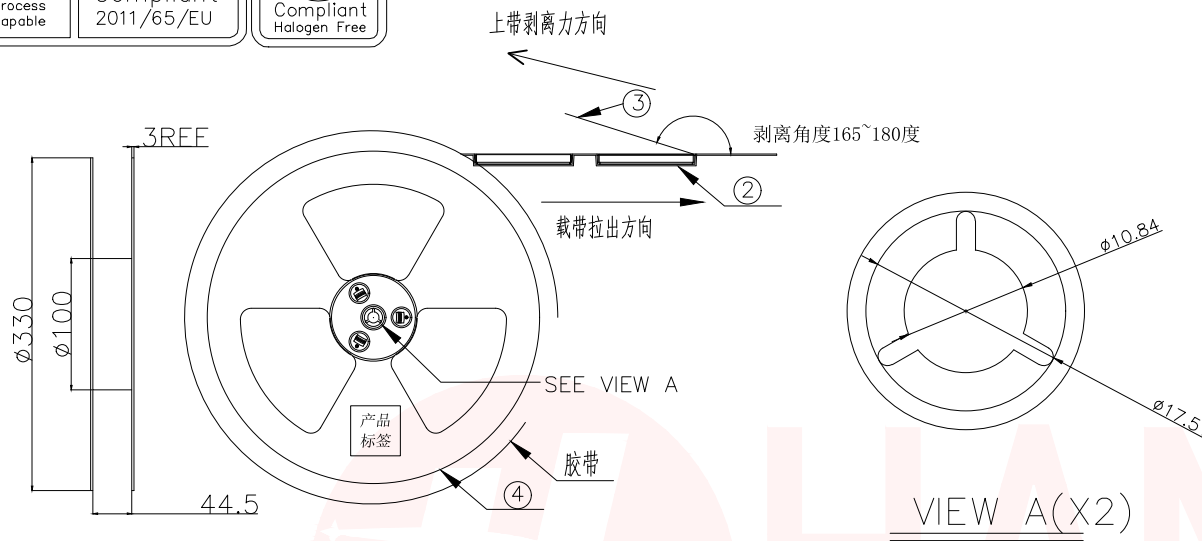


UNLESS OTHERWISE SPECIFIED TOLERANCES

DECIMALS:	ANGLES:	东莞市汉博电子科技有限公司 DONGGUAN HANBO TECHNOLOGY CO., LTD		
X : ±0.50	X : ±2°	TITLE	MICRO SIM 掀盖式 1.5H带侦测	
X.X : ±0.25	X.X : ±1°	DWN	xiong	PART NO. SNO-1340-P9
X.XX : ±0.12		CHKD	lee	SCALE: 1:1 UNIT: mm
		APVD	wang	SIZE: A4 SHEET: 10F 1 REV: A4
		CUSTOMER COPY		

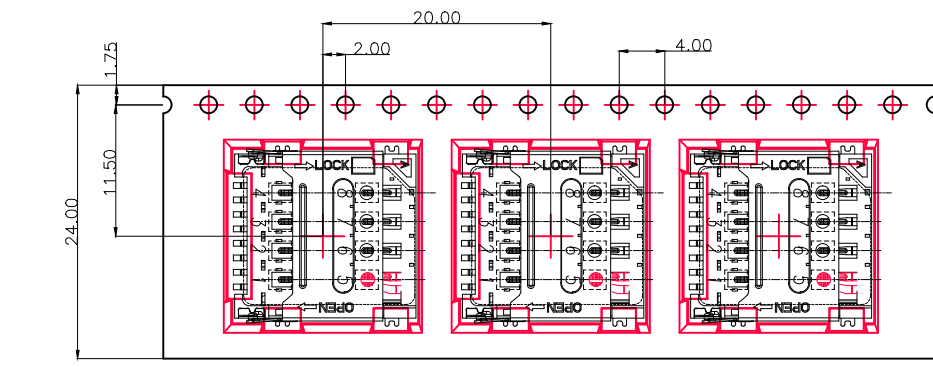
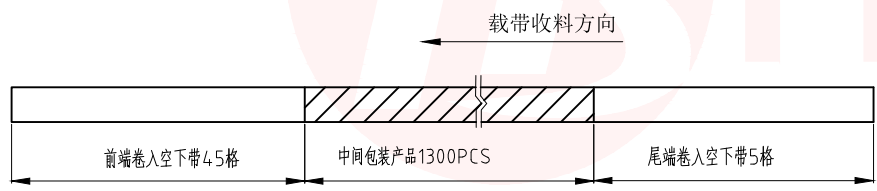


REV.	ECN NO OR DESCRIPTION	REVISED	DATE



PACKING NOTES:

1. PRIMARY PACKING: 1300PCS/REEL;
2. SECONDARY PACKING: 10 REELS/CARTON (13KPCS/CARTON)
3. PEELING RESISTANCE: 30gf~100gf
4. PEELING ANGLE: 165°~180°
5. PEELING SPEED: 300mm/minutes.



PULL OUT DIRECTION 拉出方向

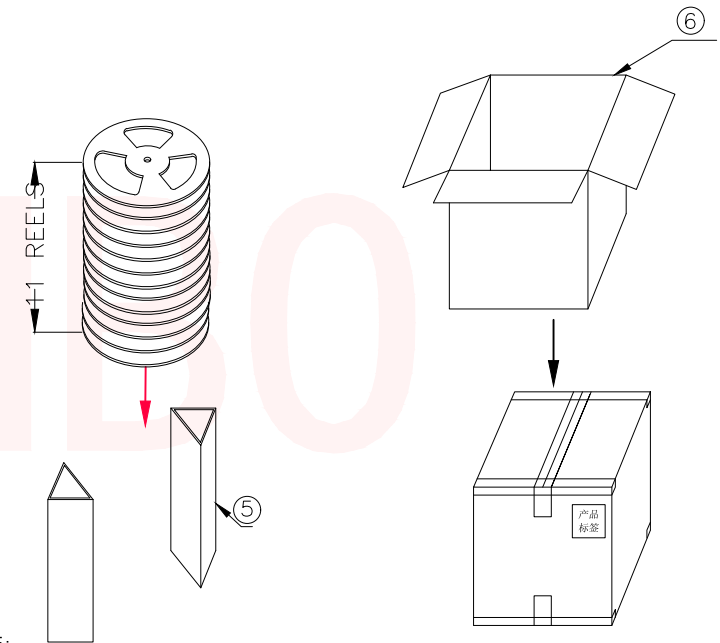


TABLE:

NO.	NAME	SPEC.	REMARK
①	成品	掀盖 MICRO SIM CARD 1.5H	1300PCS/R
②	下带(载带)	PET料 透明色, W=24mm, P=20mm, T=0.3mm,	26.6M/1300PCS
③	上带(盖带)	W=21.5mm, T=0.06mm, 自粘式透明状	26.8M/1300PCS
④	REEL(蓝色卷盘)	外直径330mm, 内直径100mm, 内宽44.5mm	1PCS/1300PCS
⑤	折叠板	296*464*6mm	4PCS/14300PCS
⑥	CARTON (外箱)	350*350*350mm	1PCS/14300PCS

UNLESS OTHERWISE SPECIFIED TOLERANCES

东莞市汉博电子科技有限公司
DONGGUAN HANBO TECHNOLOGY CO., LTD

DECIMALS: X :±0.50
X.X :±0.25
X.XX :±0.12

ANGLES: X :±2°
X.X :±1°

TITLE	MICRO SIM 掀盖式 1.5H带侦测		
DWN	xiong	PART NO. SNO-1340-P9	
CHKD	lee	SCALE: 1:1	UNIT: mm
APVD	wang	SIZE: A4	SHEET: 10F 1
REV: A4			

CUSTOMER COPY