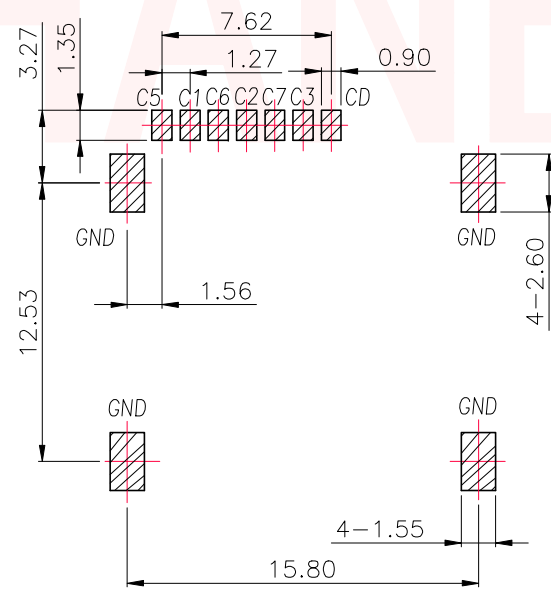
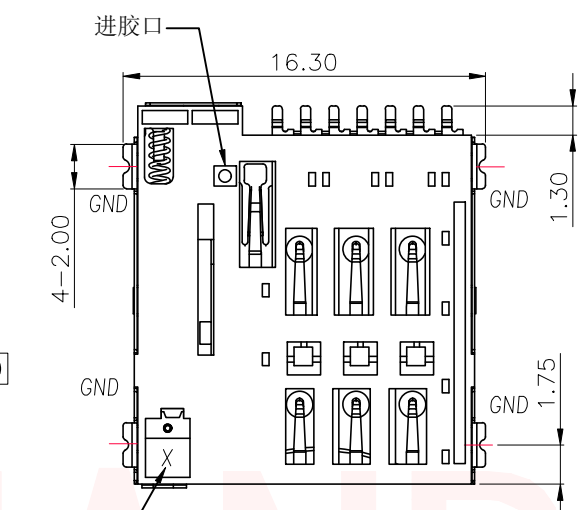


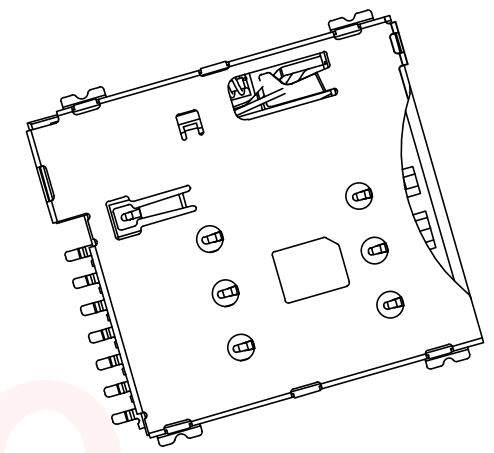
SIM pin Assignment	
PIN#	Name
C1	VCC
C2	RST
C3	CLK
C5	GND
C6	VPP
C7	I/O

CIRCUIT TRACE KEEP OUT AREA
 SMT SOLDER AREA
 THERE SHOULD NOT BE ANY CIRCUITRIES IN THE LAYOUT SPACE OF THE PRODUCTS.

RECOMMENDED PCB LAYOUT
 GENERAL TOLERANCE ±0.05



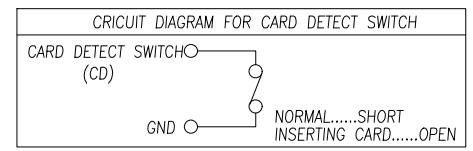
REV.	ECN NO OR DESCRIPTION	REVISED	DATE



- MATERIAL:
 - HOUSING:LCP,UL94-V0,COLOR:BLACK
 - CONTACT:C5210R-H
 - SHELL:SUS304-H
- FINISH:
 - TERMINAL:30 u" Min.NICKEL PLATED OVERALL
 - CONTACT:GOLD FLASH PLATED ON CONTACT AREA; GOLD FLASH PLATED ON SOLDER TAILS;
- ELECTRICAL CHARACTERISTICS

RATING CURRENT : 0.5A MAX.
 CONTACT RESISTANCE :30 mΩ MAX
 DIELECTRIC WITHSTANDING : 500V AC MIN.
 INSULATION RESISTANCE: 1000 MΩ MIN.
- MECHANICAL CHARACTERISTICS

MATING CYCLE :3000 CYCLES
 Contact retention force: 50gf/pin Min.



UNLESS OTHERWISE SPECIFIED TOLERANCES

DECIMALS:	ANGLES:
X :±0.45	X :±2°
X.X :±0.35	X.X :±1°
X.XX :±0.25	

东莞市汉博电子科技有限公司
 DONGGUAN HANBO TECHNOLOGY CO., LTD

TITLE	MICRO SIM CARD PUSH PUSH 7PIN 1.35H #CD PIN		
DWN	xiong	PART NO. SMO-200S-P7	
CHKD	lee	SCALE:1:1	UNIT: mm
APVD	wang	SIZE: A4	SHEET:10F 1
REV: A4			
CUSTOMER COPY			