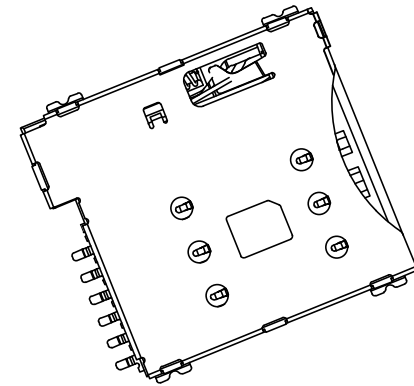
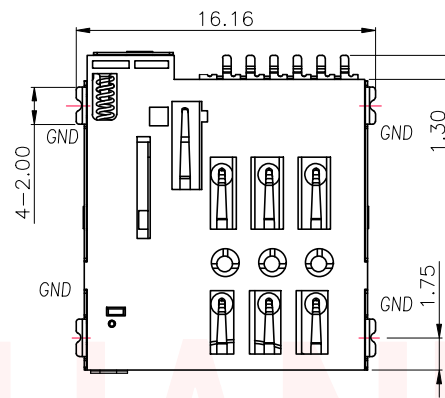
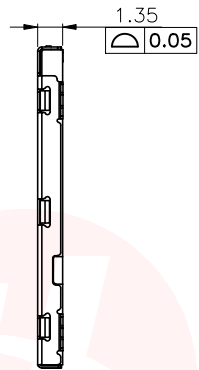
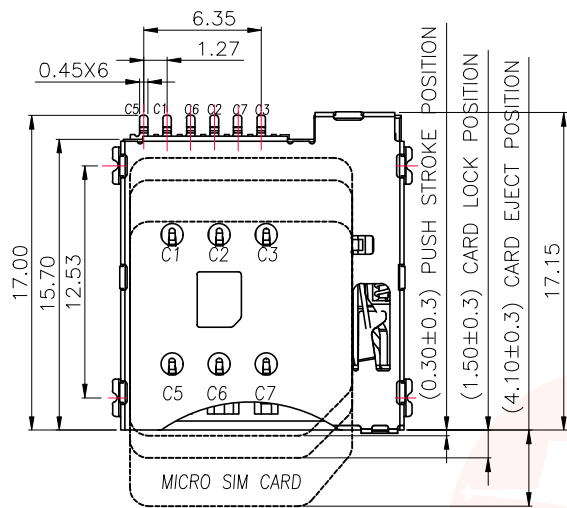




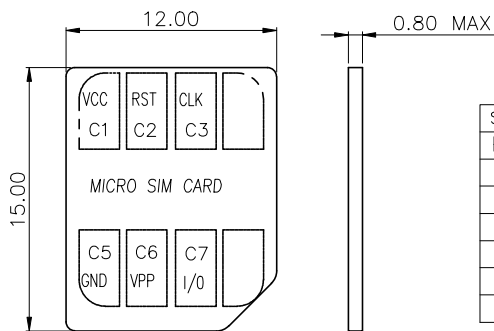
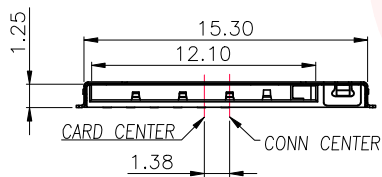
REV.	ECN NO OR DESCRIPTION	REVISED	DATE



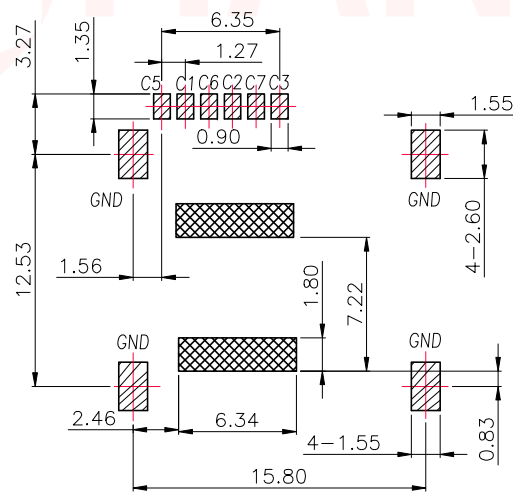
- 1) MATERIAL:
 - 1.1 HOUSING:LCP,UL94-V0,COLOR:BLACK
 - 1.2 CONTACT:C5210R-H
 - 1.3 SHELL:SUS304-H
- 2) FINISH:
 - 2.1 TERMINAL:30 u" Min.NICKEL PLATED OVERALL
 - 2.2 CONTACT:GOLD FLASH PLATED ON CONTACT AREA;
GOLD FLASH PLATED ON SOLDER TAILS;
- 3) ELECTRICAL CHARACTERISTICS

RATING CURRENT : 0.5A MAX.
CONTACT RESISTANCE :50 mΩ MAX
DIELECTRIC WITHSTANDING : 500V AC MIN.
INSULATION RESISTANCE: 1000 MΩ MIN.
- 4) MECHANICAL CHARACTERISTICS

MATING CYCLE :3000 CYCLES
Contact retention force: 50gf/pin Min.



SIM pin Assignment	
PIN#	Name
C1	VCC
C2	RST
C3	CLK
C5	GND
C6	VPP
C7	I/O



FORBIDDEN AREA
 SMT SOLDER AREA
 THERE SHOULD NOT BE ANY CIRCUITRIES IN THE LAYOUT SPACE OF THE PRODUCTS.
RECOMMENDED PCB LAYOUT
 GENERAL TOLERANCE ±0.05

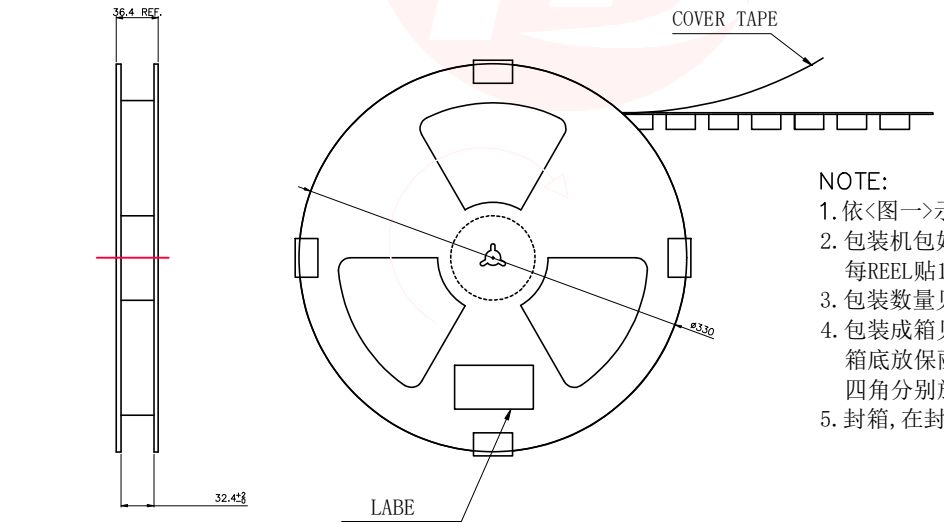
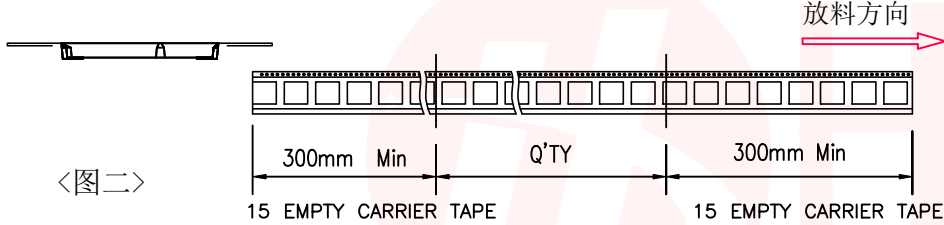
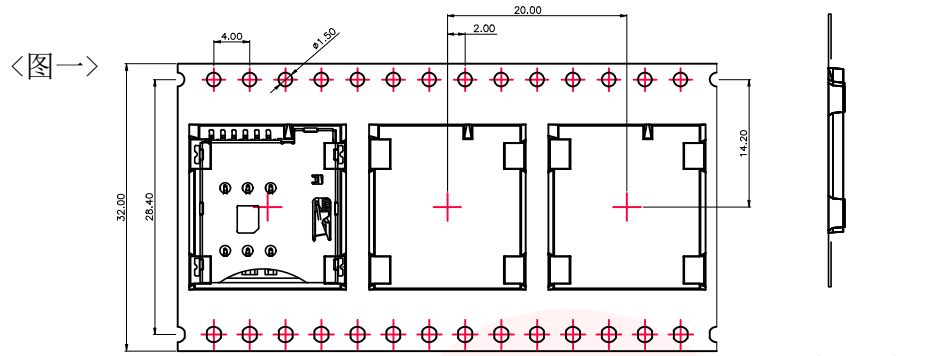
UNLESS OTHERWISE SPECIFIED TOLERANCES		东莞市汉博电子科技有限公司 DONGGUAN HANBO TECHNOLOGY CO., LTD			
DECIMALS:	ANGLES:	TITLE MICRO SIM CARD PUSH PUSH 6PIN 1.35H			
X :±0.45	X :±2°	DWN	xiong	PART NO. SMO-200S-P6	
X.X :±0.35	X.X :±1°	CHKD	lee	SCALE:1:1	UNIT: mm
X.XX :±0.25		APVD	wang	SIZE: A4	SHEET:10F 1
		REV: A4			
CUSTOMER COPY					



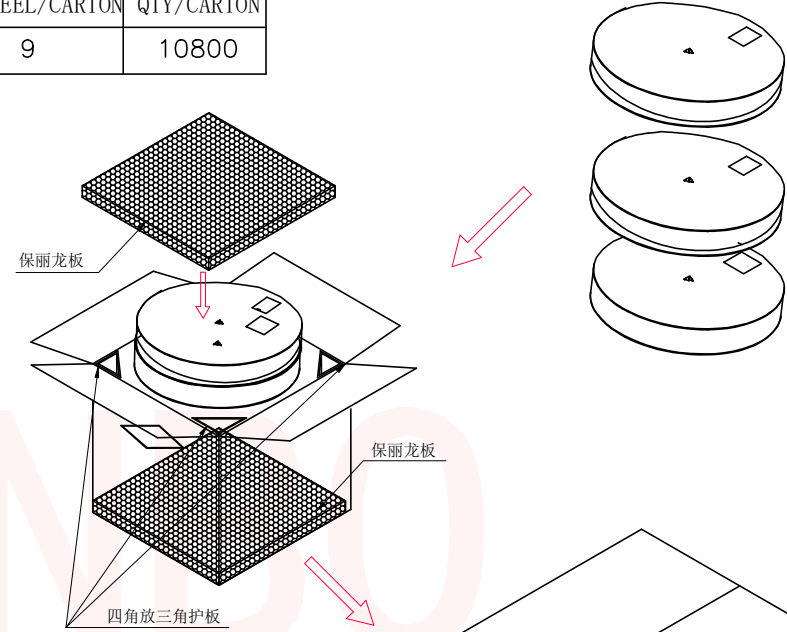
<TABLE 1> PACKAGING QUANTITY

QTY/REEL	REEL/CARTON	QTY/CARTON
1200	9	10800

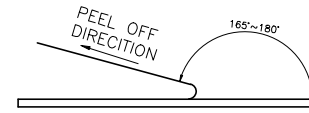
REV.	ECN NO OR DESCRIPTION	REVISED	DATE



<图三>

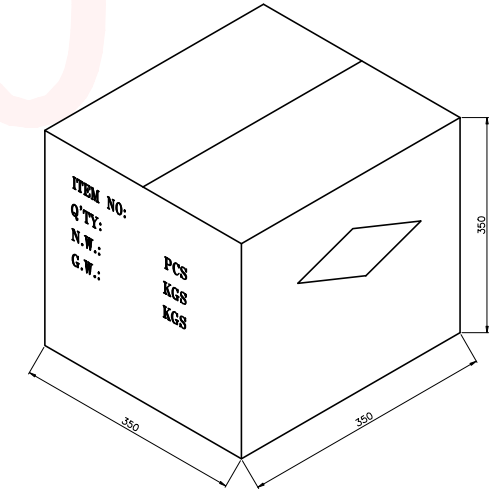


COVER TAPE PEELING FORCE: 50gf~150gf



NOTE:

1. 依<图一>示放置产品于下载中, 每穴放置1PCS产品.
2. 包装机包好后, 在REEL的个等分点贴上胶带, 以防止REEL张开, 每REEL贴1PCS标签, 如<图二>示
3. 包装数量见如<TABLE 1>示
4. 包装成箱见如<图三>示
箱底放保利龙板, 再依次将指定数量的卷装产品放入箱内, 四角分别放入四个三角护板, 最上层再放上保利龙板.
5. 封箱, 在封好的纸箱上按客户要求写上料号, 数量等



UNLESS OTHERWISE SPECIFIED TOLERANCES

DECIMALS:	ANGLES:
X :±0.45	X :±2°
X.X :±0.35	X.X :±1°
X.XX :±0.25	



东莞市汉博电子科技有限公司
DONGGUAN HANBO TECHNOLOGY CO., LTD

TITLE	MICRO SIM CARD PUSH PUSH 6PIN 1.35H			
DWN	xiong	PART NO. SMO-200S-P6		
CHKD	lee	SCALE: 1:1	UNIT: mm	
APVD	wang	SIZE: A4	SHEET: 10F 1	REV: A4

CUSTOMER COPY