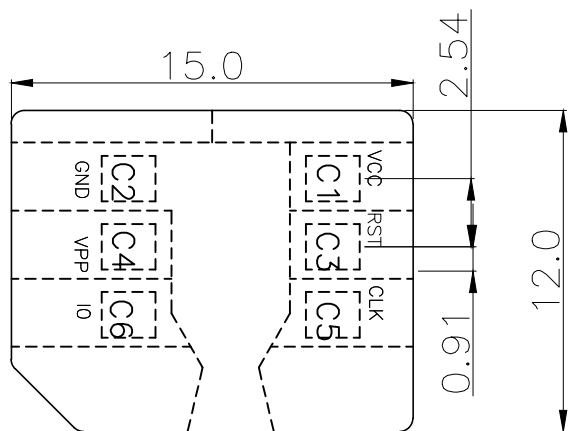
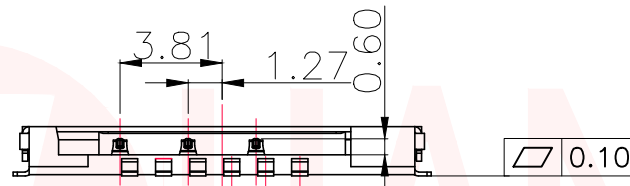
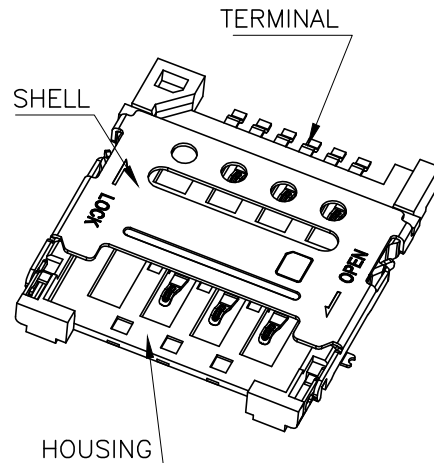
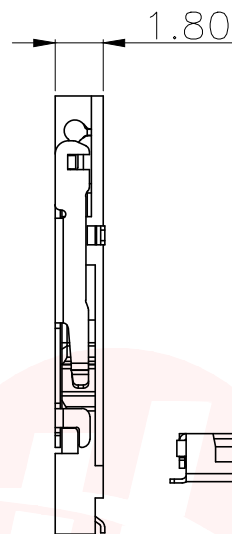
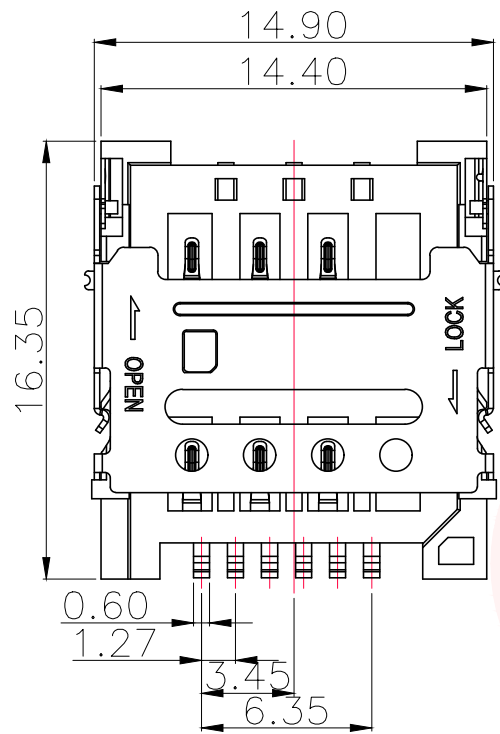
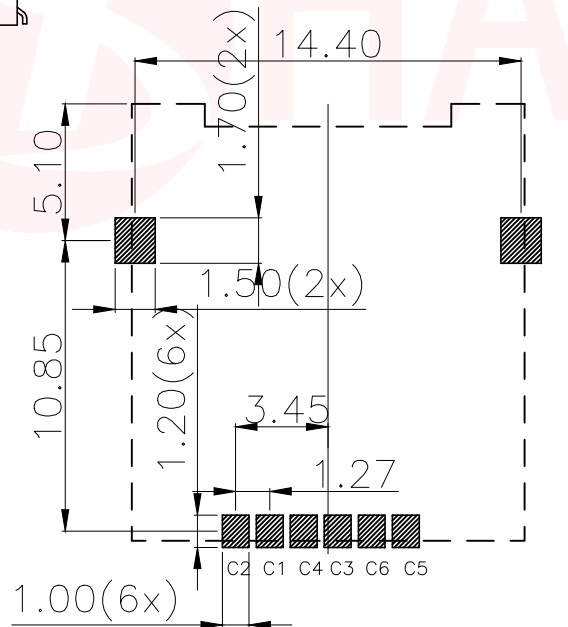




5	REV.	ECN NO OR DESCRIPTION	6	REVISED	DATE



MICRO SIM



RECOMMENDED PCB LAYOUT(TOP VIEW)
GENERAL TOLERANCES:±0.05

NOTES:

- 1)MATERIAL:
HOUSING: LCP E130i UL 94V-0
CONTACT: C5210R-H T=0.15mm
SHELL: SUS201-H T=0.20mm
- 2)FINISH :
CONTACT:GOLD FLASH PLATED ON CONTACT AREA 1u"Min ;
GOLD FLASH PLATING ON SOLDER TAILS 1u"Min,
WITH ENTIRE CONTACT UNDERPLATED NICKEL 30u"Min
SHELL: NICKEL UNDERPLATED OVERALL 50u"Min,
- 3)MECHANICAL CHARACTERISTICS
CONTACT RETENTION: 50gf/pin Min
MATING CYCLE:3000 CYCLES
- 4)ELECTRICAL CHARACTERISTICS
RATING CURRENT: 1A
RATING VOLTAGE: 30V
CONTACT RESISTANCE: 30 MILLOHMS OHMS MAX
INSULATION RESISTANCE:
a, UNMATED: 1000M OHMS MIN
b, MATED: 100M OHMS MIN
DIELECTRIC WITHSTANDING VOLTAGE:
500V AC/1MINUTE
OPERATING TEMPERATURE: -25°C---+70°C
STORAGE TEMPERATURE: -10°C---+40°C

MICRO SIM CARD	
PIN NO.	DESCRIPTION
P1	VCC
P2	GND
P3	RST
P4	VPP
P5	CLK
P6	I/O
P7	RESERVED
P8	RESERVED

UNLESS OTHERWISE SPECIFIED TOLERANCES

DECIMALS:	ANGLES:
X :±0.35	X :±2°
X.X :±0.25	X.X :±1°
X.XX :±0.15	



东莞市汉博电子科技有限公司
DONGGUAN HANBO TECHNOLOGY CO., LTD

TITLE	MICRO SIM 6PIN 1.8H CARD 掀盖式			
DWN	xiong	PART NO.	SMO-1630-P6	
CHKD	lee	SCALE:1:1	UNIT: mm	
APVD	wang	SIZE: A4	SHEET:10F 1	REV: A4

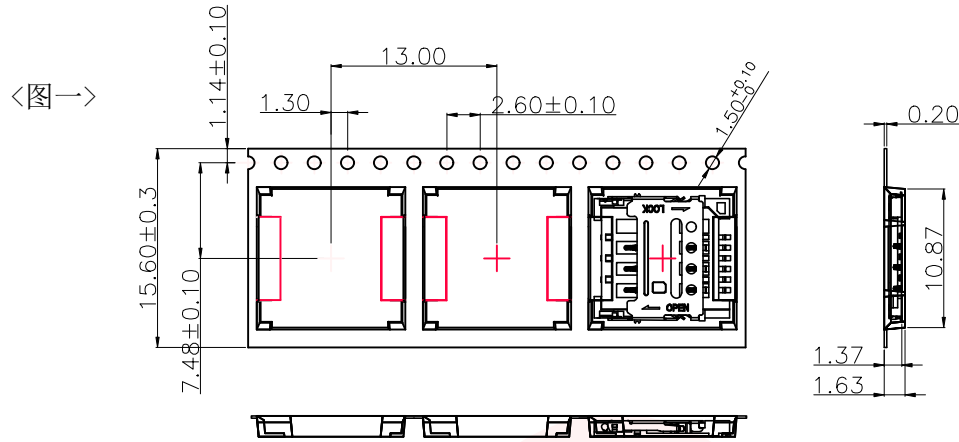
CUSTOMER COPY



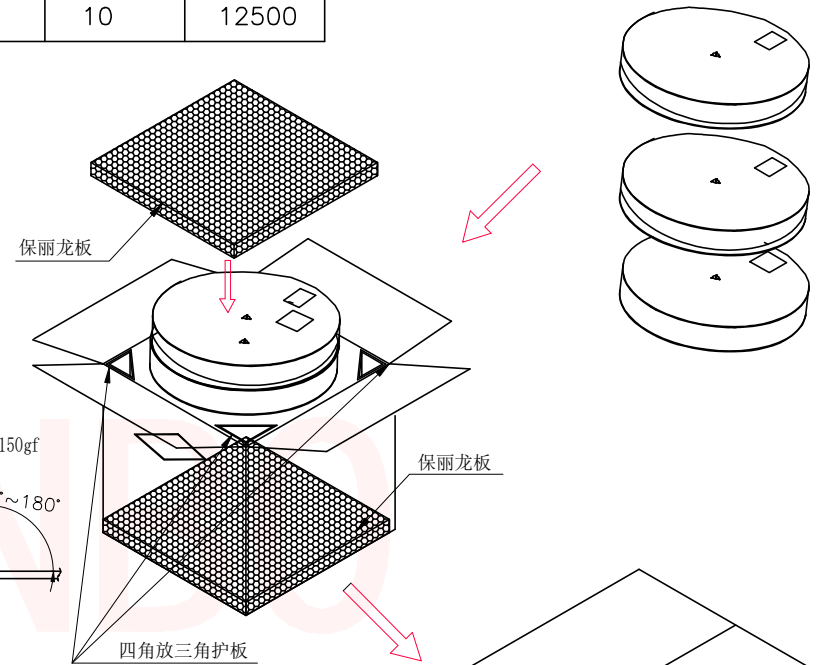
REV.	ECN NO OR DESCRIPTION	REVISED	DATE

<TABLE 1> PACKAGING QUANTITY

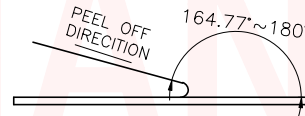
QTY/REEL	REEL/CARTON	QTY/CARTON
1250	10	12500



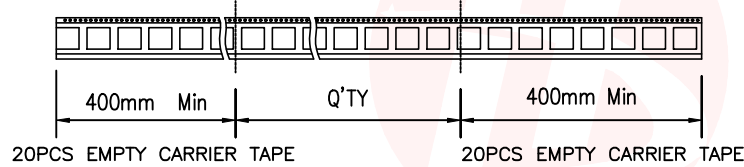
<图三>



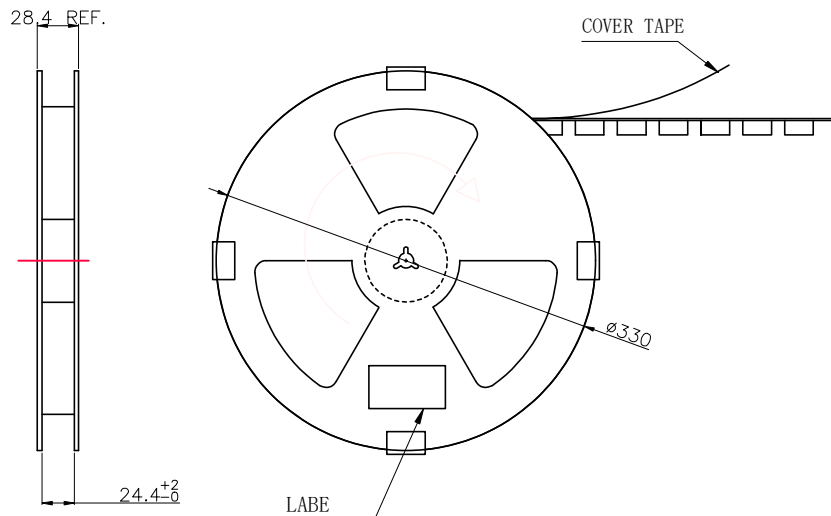
COVER TAPE PEELING FORCE: 50gf~150gf



放料方向

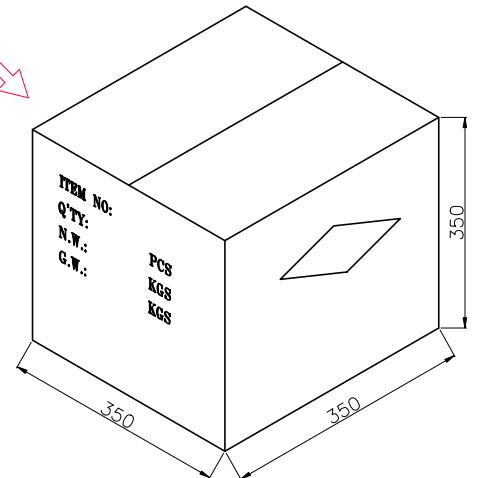


<图二>



NOTE:

1. 依<图一>示放置产品于下载中, 每穴放置1PCS产品.
2. 包装机包好后, 在REEL的个等分点贴上胶带, 以防止REEL张开, 每REEL贴1PCS标签, 如<图二>示
3. 包装数量见如<TABLE 1>示
4. 包装成箱见如<图三>示
箱底放保利龙板, 再依次将指定数量的卷装产品放入箱内, 四角分别放入四个三角护板, 最上层再放上保利龙板.
5. 封箱, 在封好的纸箱上按客户要求写上料号, 数量等



UNLESS OTHERWISE SPECIFIED TOLERANCES		东莞市汉博电子科技有限公司 DONGGUAN HANBO TECHNOLOGY CO., LTD			
DECIMALS:	ANGLES:	TITLE MICRO SIM 6PIN 1.8H CARD 掀盖式 包装图			
X :±0.30	X :±2°	DWN	xiong	PART NO. SMO-1630-P6	
X.X :±0.20	X.X :±1°	CHKD	lee	SCALE: 1:1	UNIT: mm
X.XX :±0.10		APVD	wang	SIZE: A4	SHEET: 10F 1
		REV: A4			
CUSTOMER COPY					