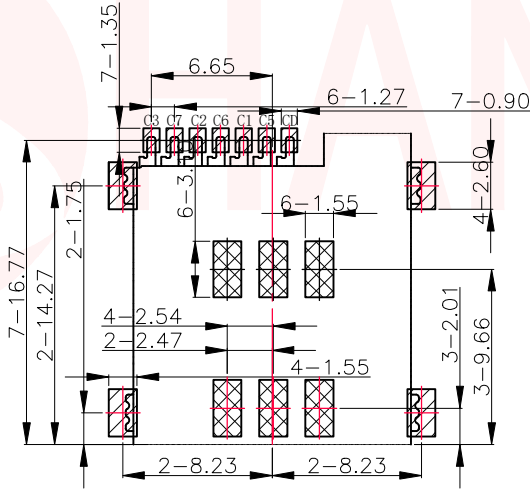
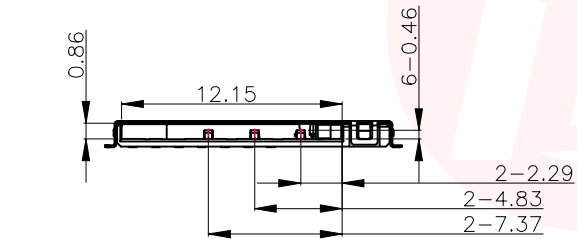
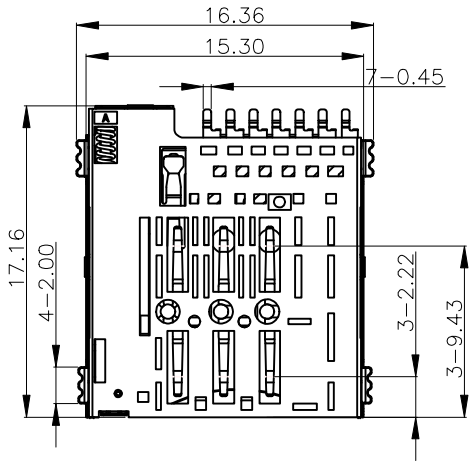
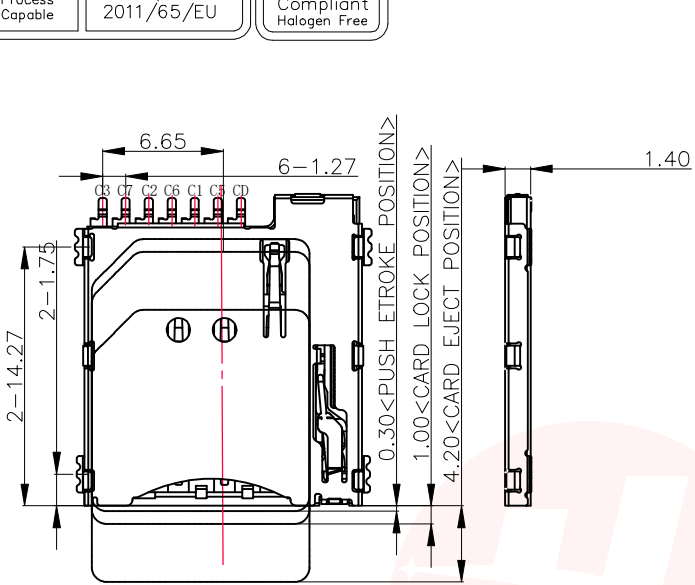


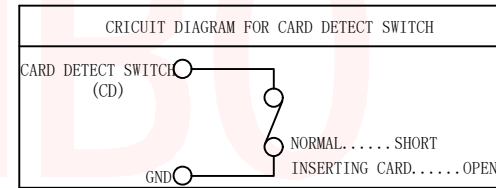


REV.	ECN NO OR DESCRIPTION	REVISED	DATE



Notes:

- Material:
 - Housing: High Temperature Thermoplastic
 - Terminal: Copper Alloy
 - Shell: Stainless Steel
- Plating:
 - Terminal: 50u" Ni Underplated Overall
 - G/F Plated On Contact Area
 - Tin Plated On Solder Area
 - Shell: 30u" Ni plated Overall
- Technical Speciality:
 - Rated Voltage: 30V
 - Current Rating: 0.5A
 - Insulation Resistance: 1000MΩ Min.
 - Contact Resistance: 100mΩ Max.
 - Withstanding Voltage: 500V DC For 1 Minutes.
 - Operating Temperature: -40°C ~ +75°C Humidity 80% R.H Max.



PIN/NO	ASSIGNMENT
C1	VCC
C2	RST
C3	CLK
C5	GND
C6	VPP
C7	I/O
CD	Detect Switch

RECOMMENDED PCB LAYOUT

TOLERANCE: ±0.05

- SMT SOLDER AREA
 - COPPER RESTRICTED AREA
- TOUCH AREA OF CONTACT TIPS NO ELECTRICAL FUNCTION
 - NO FIRST PCB LAYOUT CIRCUITS IN THE AREA

UNLESS OTHERWISE SPECIFIED TOLERANCES

DECIMALS: X : ±0.30 X.X : ±0.20 X.XX : ±0.10

ANGLES: X : ±2° X.X : ±1°



东莞市汉博电子科技有限公司
DONGGUAN HANBO TECHNOLOGY CO., LTD

TITLE	MICRO SIM CARD PUSH PUSH 7PIN 1.35H 带CD PIN (封装型)			
DWN	xiong	PART NO. SMO-1031-P7		
CHKD	lee	SCALE: 1:1	UNIT: mm	
APVD	wang	SIZE: A4	SHEET: 10F 1	REV: A4
CUSTOMER COPY				