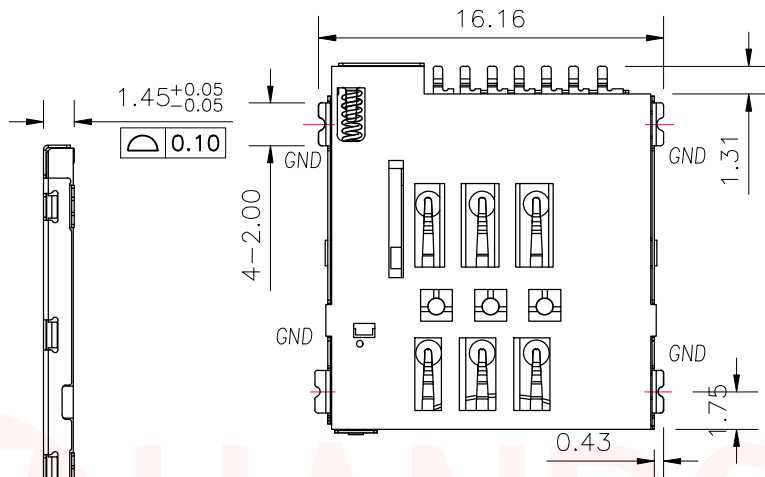
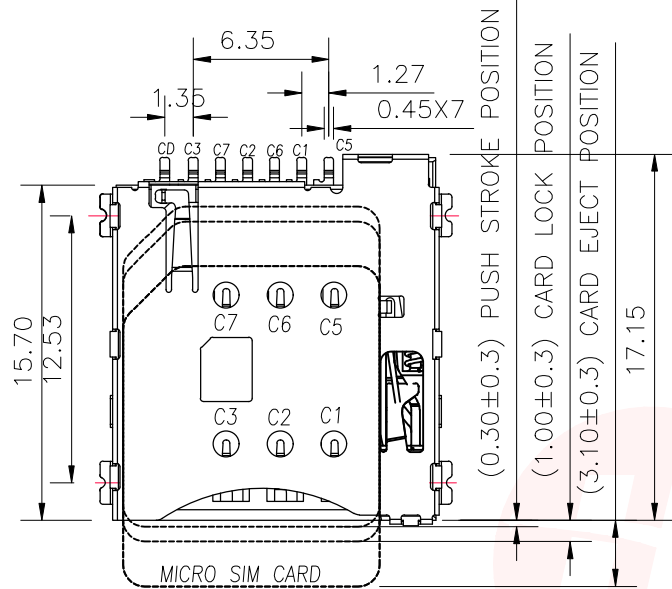




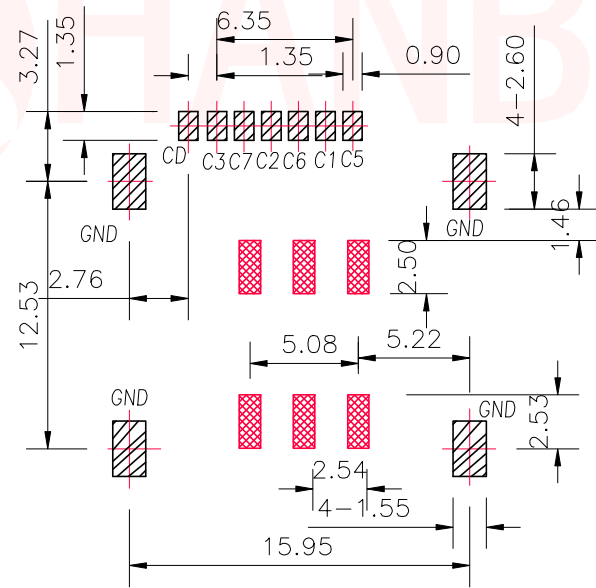
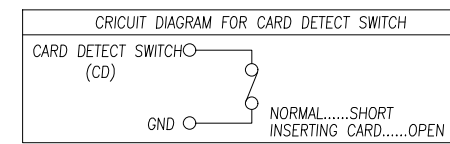
REV.	ECN NO OR DESCRIPTION	REVISED	DATE



- MATERIAL:
  - HOUSING:LCP,UL94-V0,COLOR:BLACK
  - CONTACT:C5210R-H
  - SHELL:SUS304-H
- FINISH:
  - TERMINAL:30 u" Min.NICKEL PLATED OVERALL
  - CONTACT:GOLD FLASH PLATED ON CONTACT AREA; GOLD FLASH PLATED ON SOLDER TAILS;
- ELECTRICAL CHARACTERISTICS
 

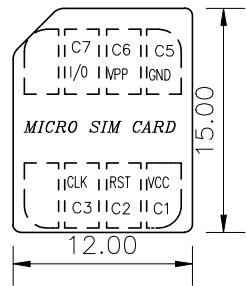
RATING CURRENT : 0.5A MAX.  
 CONTACT RESISTANCE :30 mΩ MAX  
 DIELECTRIC WITHSTANDING : 500V AC MIN.  
 INSULATION RESISTANCE: 1000 MΩ MIN.
- MECHANICAL CHARACTERISTICS
 

MATING CYCLE :3000 CYCLES  
 Contact retention force: 50gf/pin Min.



■ CIRCUIT TRACE KEEP OUT AREA  
 ■ SMT SOLDER AREA  
 THERE SHOULD NOT BE ANY CIRCUITRIES IN THE LAYOUT SPACE OF THE PRODUCTS.  
**RECOMMENDED PCB LAYOUT**  
 GENERAL TOLERANCE ±0.05

SIM pin Assignment	
PIN#	Name
C1	VCC
C2	RST
C3	CLK
C5	GND
C6	VPP
C7	I/O



MICRO SIM CARD

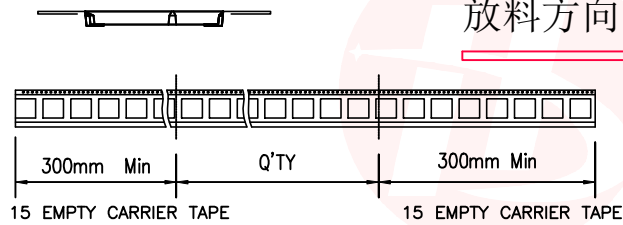
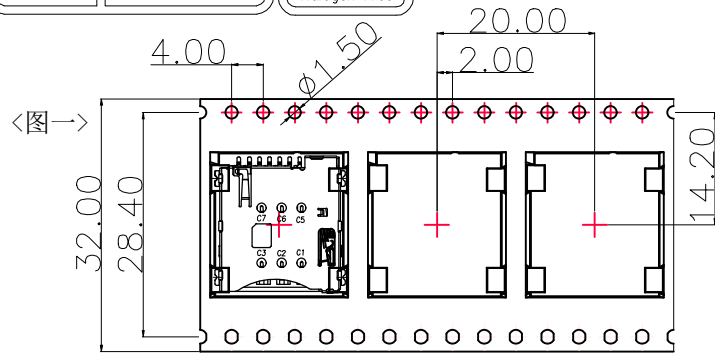
UNLESS OTHERWISE SPECIFIED TOLERANCES		东莞市汉博电子科技有限公司 DONGGUAN HANBO TECHNOLOGY CO., LTD		
DECIMALS:	ANGLES:	TITLE MICRO SIM CARD PUSH PUSH 7PIN 1.45H带CD PIN (螃蟹型)		
X :±0.35	X :±2°	DWN	xiong	PART NO. SMO-1026-P7
X.X :±0.25	X.X :±1°	CHKD	lee	SCALE:1:1 UNIT: mm
X.XX :±0.15		APVD	wang	SIZE: A4 SHEET:10F 1 REV: A4
CUSTOMER COPY				



REV.	ECN NO OR DESCRIPTION	REVISED	DATE

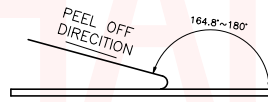
<TABLE 1> PACKAGING QUANTITY

QTY/REEL	REEL/CARTON	QTY/CARTON
1200	9	10800

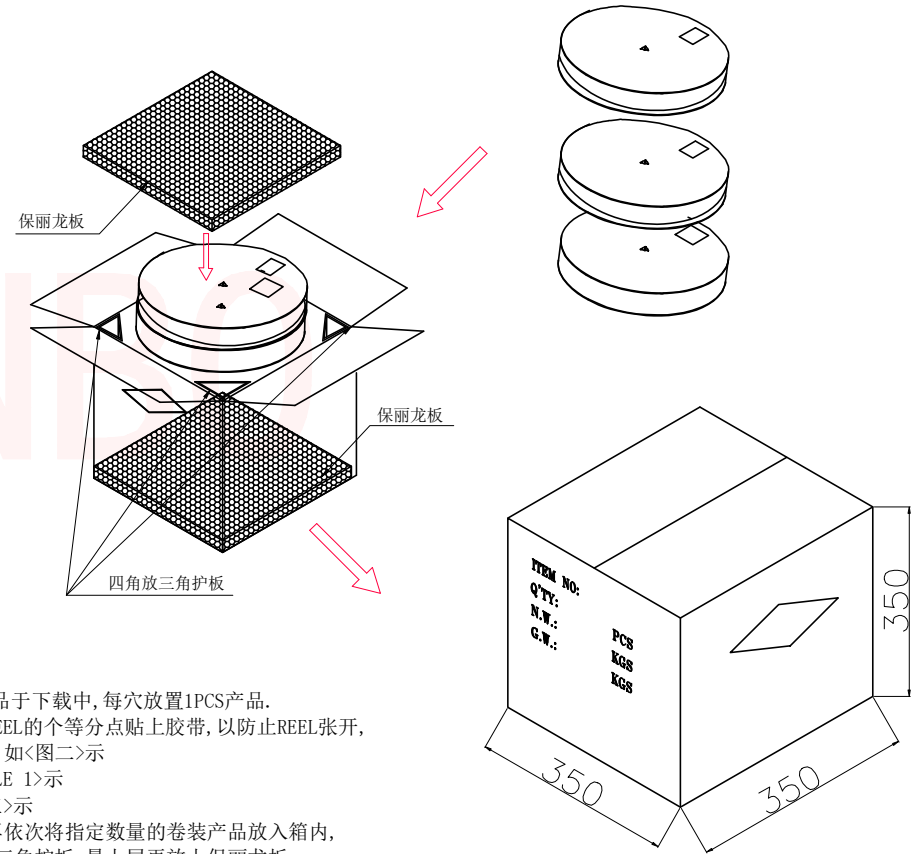


放料方向

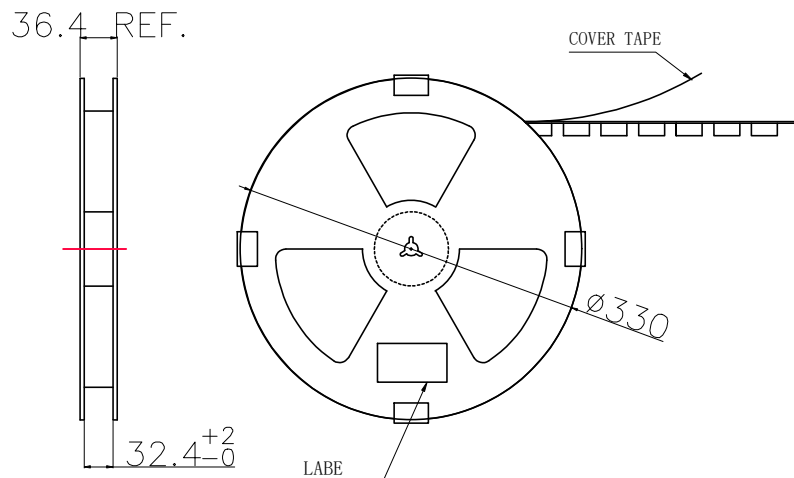
COVER TAPE PEELING FORCE: 20gf~100gf



<图三>



<图二>



NOTE:

- 依<图一>示放置产品于下载中, 每穴放置1PCS产品.
- 包装机包好后, 在REEL的个等分点贴上胶带, 以防止REEL张开, 每REEL贴1PCS标签, 如<图二>示
- 包装数量见如<TABLE 1>示
- 包装成箱见如<图三>示  
箱底放保丽龙板, 再依次将指定数量的卷装产品放入箱内, 四角分别放入四个三角护板, 最上层再放上保丽龙板.
- 封箱, 在封好的纸箱上按客户要求写上料号, 数量等

UNLESS OTHERWISE SPECIFIED TOLERANCES

DECIMALS:	ANGLES:
X :±0.30	X :±2°
X.X :±0.20	X.X :±1°
X.XX :±0.10	



东莞市汉博电子科技有限公司  
DONGGUAN HANBO TECHNOLOGY CO., LTD

TITLE	MICRO SIM CARD PUSH PUSH 7PIN 1.45H#CD PIN (游梁型)		
DWN	xiong	PART NO. SMO-1026-P7	
CHKD	lee	SCALE: 1:1	UNIT: mm
APVD	wang	SIZE: A4	SHEET: 10F 1

CUSTOMER COPY