



REV.	ECN NO OR DESCRIPTION	REVISED	DATE

A

B

C

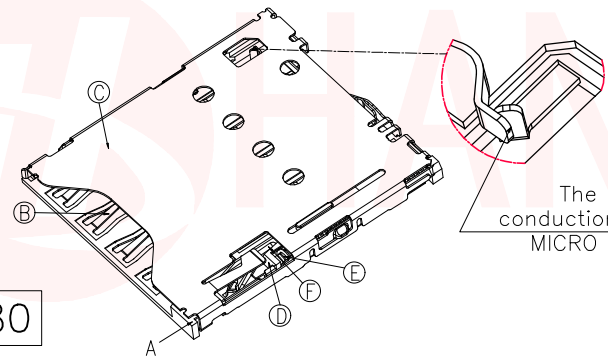
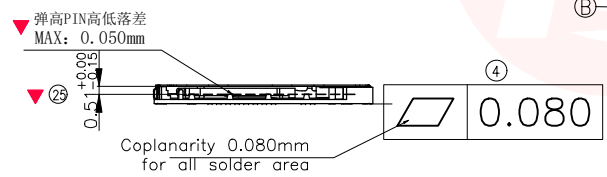
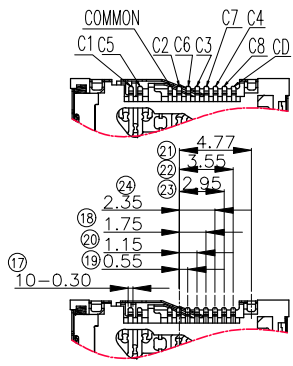
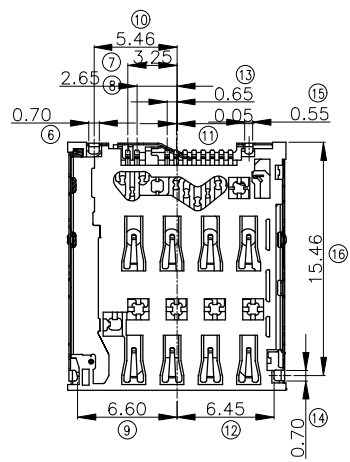
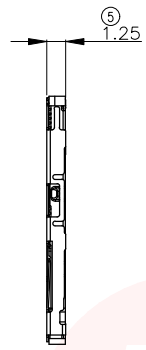
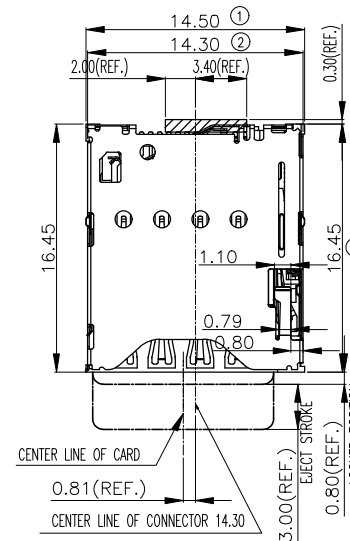
D

A

B

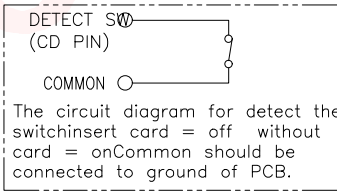
C

D

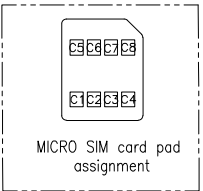


The switch is conduction without MICRO SIM card

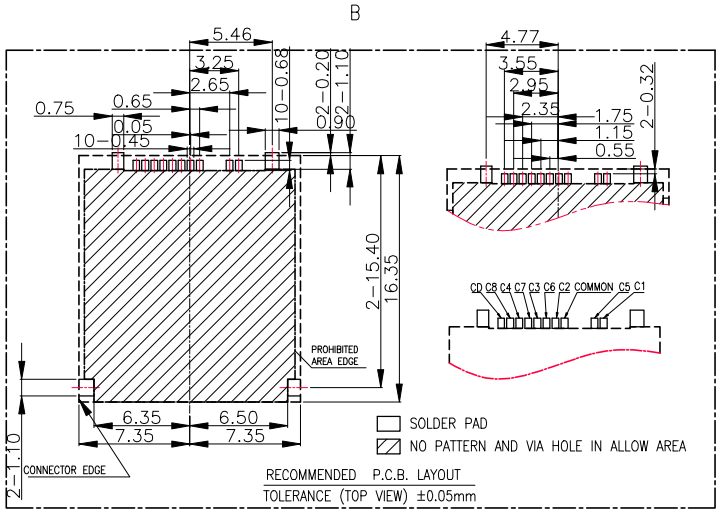
SPECIFICATIONS:  
 1.ELECTRICAL CHARACTERISTICS:  
 1-1. CURRENT RATING: 1A  
 1-2. CONTACT RESISTANCE:  
 1-2-1. 100mΩ MAX. (INITIAL) (FOR C1/C2/C3/C4/C5/C6/C7/C8)  
 1-2-2. 500mΩ MAX. (INITIAL) (FOR CD/COMMON)  
 1-3. DIELECTRIC WITHSTANDING VOLTAGE: 500V AC FOR ONE MINUTE.  
 1-4. INSULATION RESISTANCE: 100MΩ MIN. BY 500V DC.  
 2. MECHANICAL CHARACTERISTICS:  
 2-1. LIFE TEST: 5000 CYCLES MIN.  
 3. ENVIRONMENTAL CHARACTERISTICS:  
 3-1. SALT MIST TEST CONDITION: PER IEC 68-2-52, SEVERITY(3)  
 3-2. OPERATING TEMPERATURE: -30°~+80°  
 3-3. TO CONFORM TO SINGATRON HAZARDOUS SUBSTANCE FREE SPEC.  
 3-4. RoHS COMPLIANT PRODUCT.  
 3-5. HALOGEN FREE PRODUCT IDENTIFICATION MARK:  
 3-6. HALOGEN FREE PRODUCT IDENTIFICATION LABEL ON PACKAGING:  
 4. OTHER GENERAL SPEC. TO REFER "2SM2019 SERIES SPEC."  
 5. FOR REFLOW SOLDERING LEAD-FREE PROCESS.  
 6. PACKAGING: TAPE & REEL.



The circuit diagram for detect the switchinsert card = off without card = onCommon should be connected to ground of PCB.



MICRO SIM card pad assignment



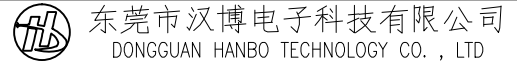
PIN NO.	PIN ASSIGNMENT
C1	SUPPLY VOLTAGE(VCC)
C2	RESET(RST)
C3	CLOCK(CLK)
C4	RESERVED FOR FUTURE USE(RFU)
C5	GROUND(GND)
C6	PROGRAMMING VOLTAGE(VPP)
C7	I/O
C8	RESERVED FOR FUTURE USE(RFU)

□ SOLDER PAD  
 ▨ NO PATTERN AND VIA HOLE IN ALLOW AREA

RECOMMENDED P.C.B. LAYOUT TOLERANCE (TOP VIEW) ±0.05mm

F	LINK	1	STAINLESS STEEL T=0.10	N/A
E	SPRING	1	SWP	NICKEL PLATING
D	SLIDE	1	HIGH TEMP.THERMOPLASTIC,UL94V-0 AND STAINLESS STEEL	BLACK
C	SHELL	1	SUS 301 1/2H T=0.1	NICKEL PLATING
B	CONTACT	1	C5210 EH T=0.10 4SM2019-002002	3μ" GOLD PLATING ONCONTACT AREA AND SOLDER AREA .50μ" MIN NICKEL UNDER PLATING
A	HOUSING	1	LCP+35%GF S475 UL94V-0	BLACK

UNLESS OTHERWISE SPECIFIED TOLERANCES



DECIMALS:	ANGLES:	TITLE	MICRO SIM 1.25H Card Connector		
X ±0.20	X ±2°	DWN	xiong	PART NO.	SMO-1025-P10
X.X ±0.10	X.X ±1°	CHKD	lee	SCALE:1:1	UNIT: mm
X.XX ±0.05		APVD	wang	SIZE: A4	SHEET:1OF 1
REV: A4					
CUSTOMER COPY					