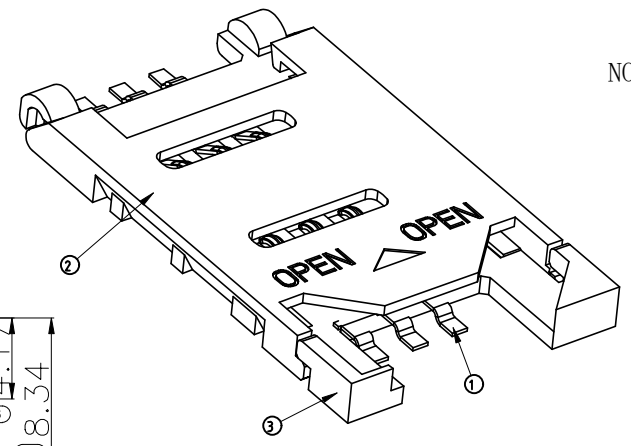
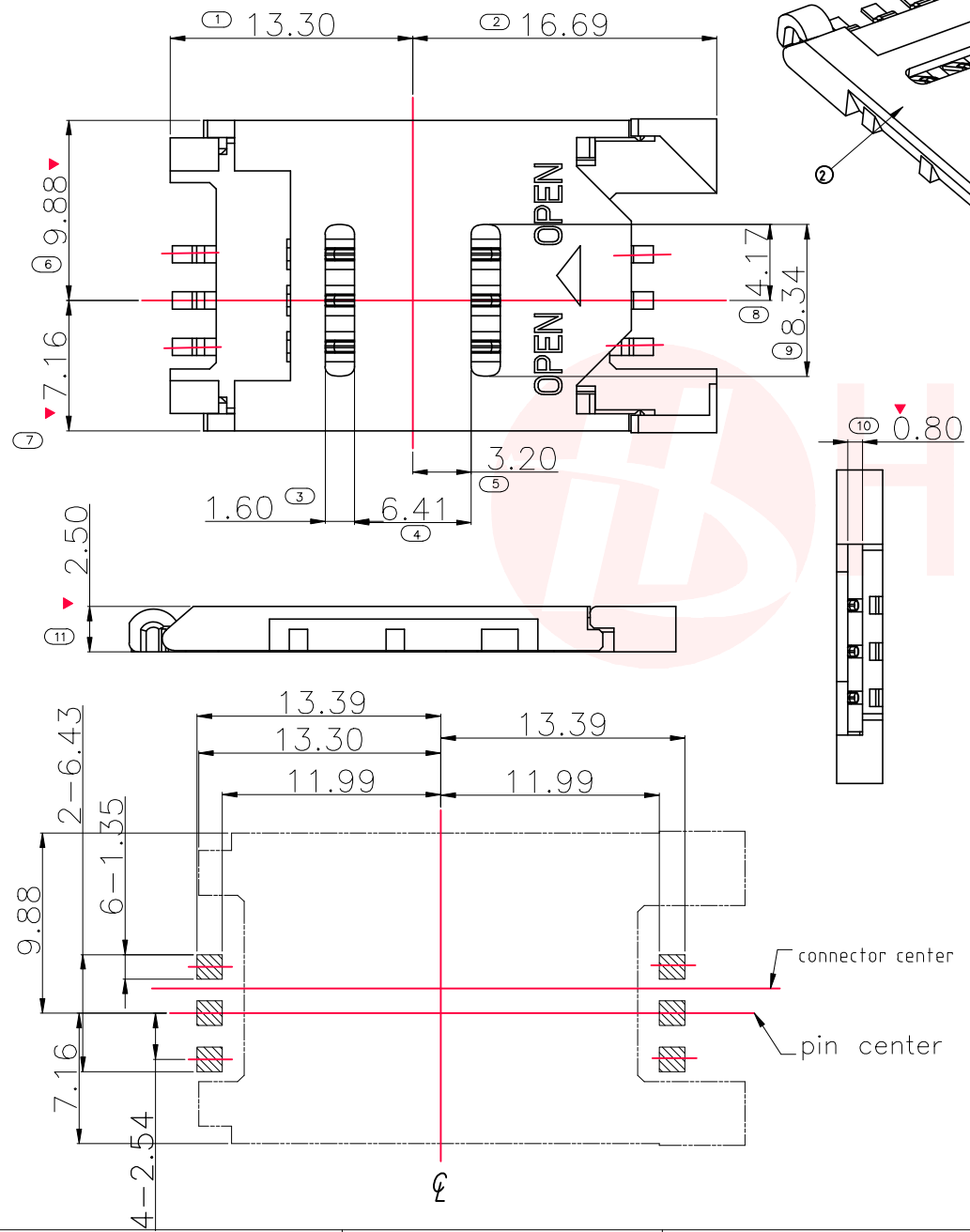




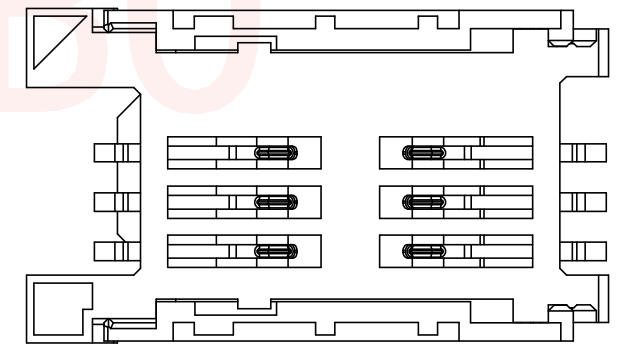
REV.	ECN NO OR DESCRIPTION	REVISED	DATE



NOTES:

- 1) MATERIAL:
HOUSING: THERMOPLASTIC, UL 94V-0, COLOR:BLACK
CONTACT: COPPER ALLOY
- 2) FINISH
CONTACT: GOLD FLASH
SOLDER AREA: TIN 100u" Min
- 3) Solder-ability
IR reflow: 250° C, 5sec. Max
Manual soldering: 350° C, 3sec. max

PIN NO	Description
C1	VCC
C2	RST
C3	CLK
C4	Reserved
C5	GND
C6	VPP
C7	I/O
C8	Reserved



UNLESS OTHERWISE SPECIFIED TOLERANCES

DECIMALS: X. :±0.5 X.X :±0.30 X.XX :±0.20

ANGLES: X° :±2° X.' :±1° X.X' :±0.5°

TITLE: MINI SIM 2.5H 全塑 6PIN

DWN xiong PART NO. SIM-211S-P6

CHKD lee SCALE:1:1 UNIT: mm

APVD wang SIZE: A4 SHEET:10F 1 REV: A4

CUSTOMER COPY

东莞市汉博电子科技有限公司
DONGGUAN HANBO TECHNOLOGY CO., LTD