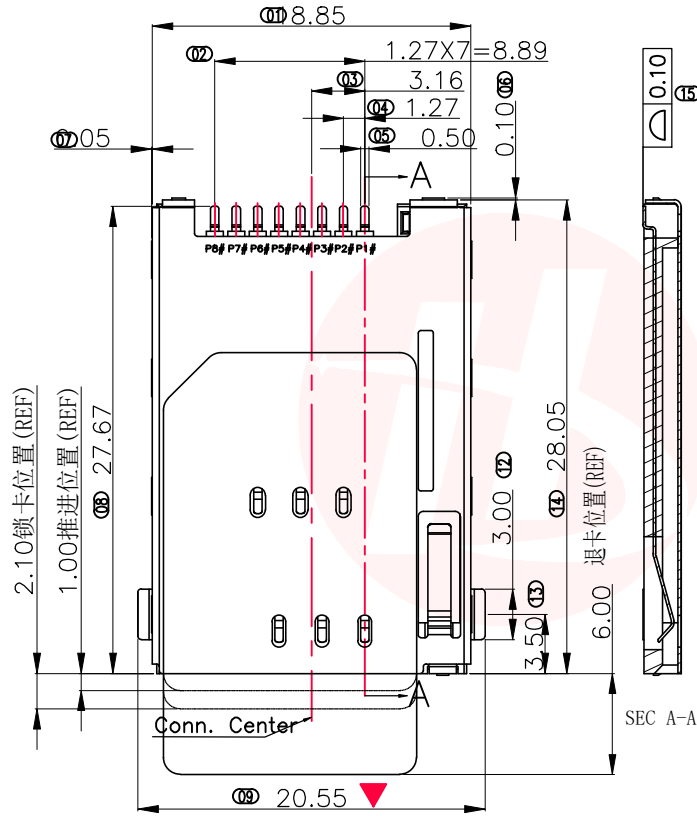
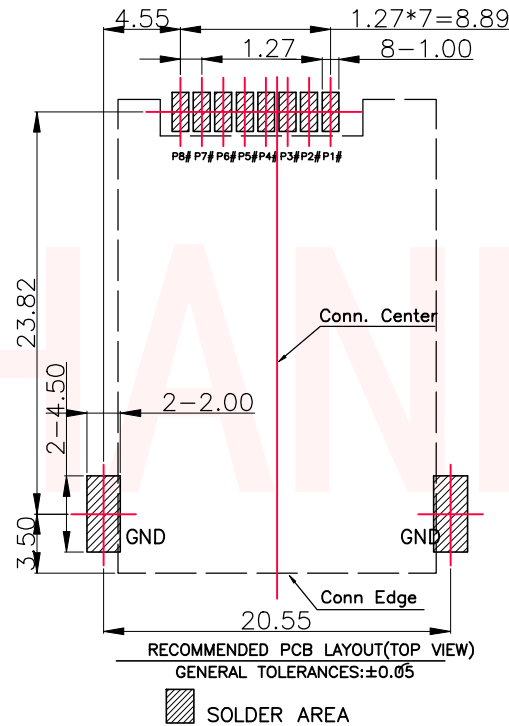




REV.	ECN NO OR DESCRIPTION	REVISED	DATE



SEC A-A

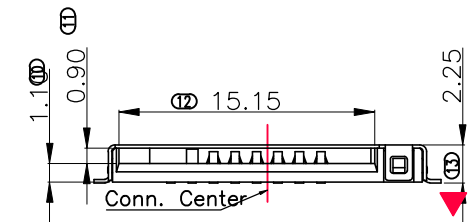


RECOMMENDED PCB LAYOUT (TOP VIEW)
GENERAL TOLERANCES: ±0.05

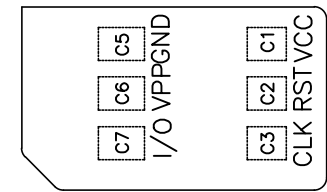
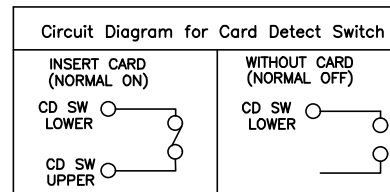
■ SOLDER AREA

Specification

- * Electrical Characteristics :
 - Current Rating: 0.5A AC/DC Max.
 - Dielectric Withstanding Voltage: 250V AC/DC
 - Insulation Resistance: 500M ohms Min.
 - Contact Resistance: 100m ohms Max.
- * Mechanical Characteristics:
 - Mating Cycles: 5000 Insertions.
- * Environmental :
 - Operating Temperature: -40°C to +85°C.
- * Material:
 - 1.Housing: HI-Temp plastic UL 94V-0 Rated.
 - 2.Contact: Copper Alloy.
 - 3.Shell: Stainless Steel SUS 304,t=0.20mm.
- * Plating :
 - Terminal:
 - Contact area: Gold Flash Plated
 - Over 40u" Nickel.
 - Solder area: 80u" Tin Plated Over
 - 40u" Nickel.
 - Under plate: 40u"Min. Nickel.
 - Shell:
 - 30u"Min. Nickel Plated Over All,
 - Solder Area: Gold Flash.



PIN NO.	DESCRIPTION
P1#	C1:VCC
P2#	C5:GND
P3#	C2:RST
P4#	C6:VPP
P5#	C3:CLK
P6#	C7:I/O
P7#	CD SW LOWER
P8#	CD SW UPPER



SIM 示意图
芯片面朝下视图

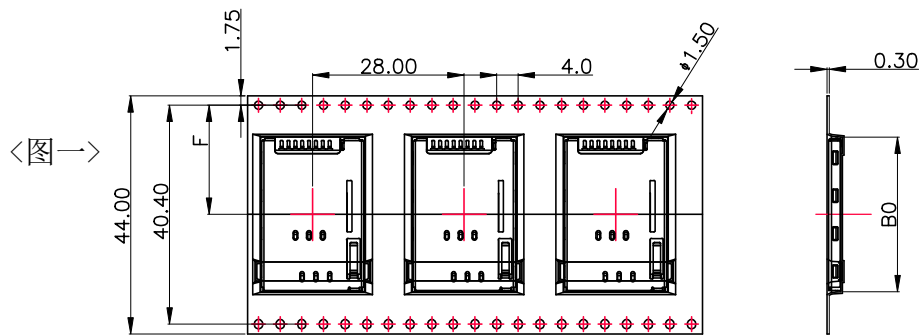
UNLESS OTHERWISE SPECIFIED TOLERANCES		东莞市汉博电子科技有限公司 DONGGUAN HANBO TECHNOLOGY CO., LTD	
DECIMALS:	ANGLES:	TITLE	SIM PUSH 6+2PIN H2.2
X :±0.30	X :±2°	DWN	xiong PART NO. SIM-1006-P8
X.X :±0.20	X.X :±1°	CHKD	lee SCALE:1:1 UNIT: mm
X.XX :±0.10		APVD	wang SIZE: A4 SHEET:10F 1 REV: A4
CUSTOMER COPY			



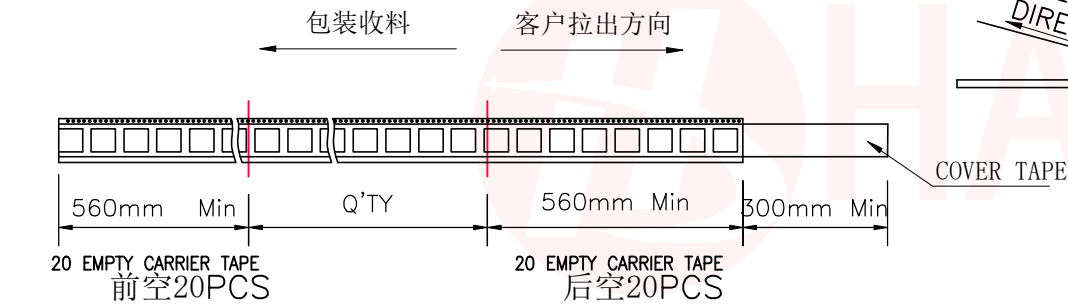
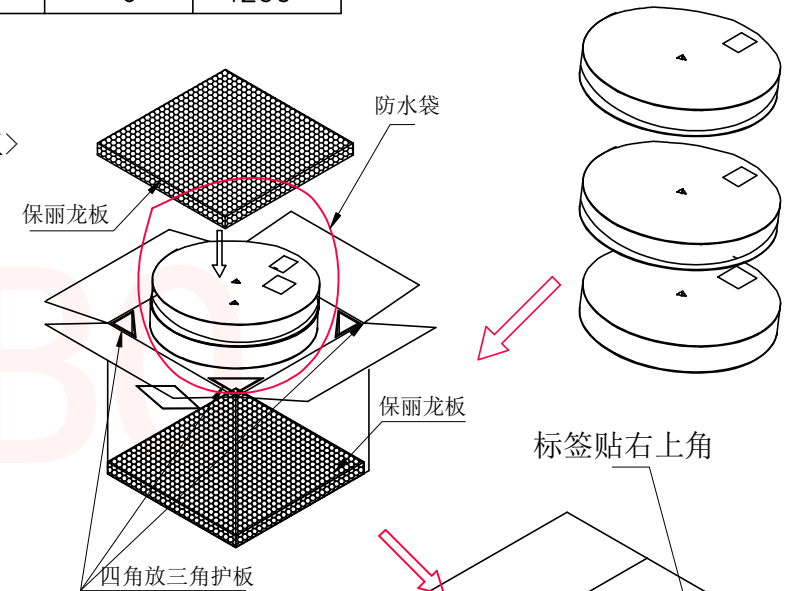
REV.	ECN NO OR DESCRIPTION	REVISED	DATE

<TABLE 1> PACKAGING QUANTITY

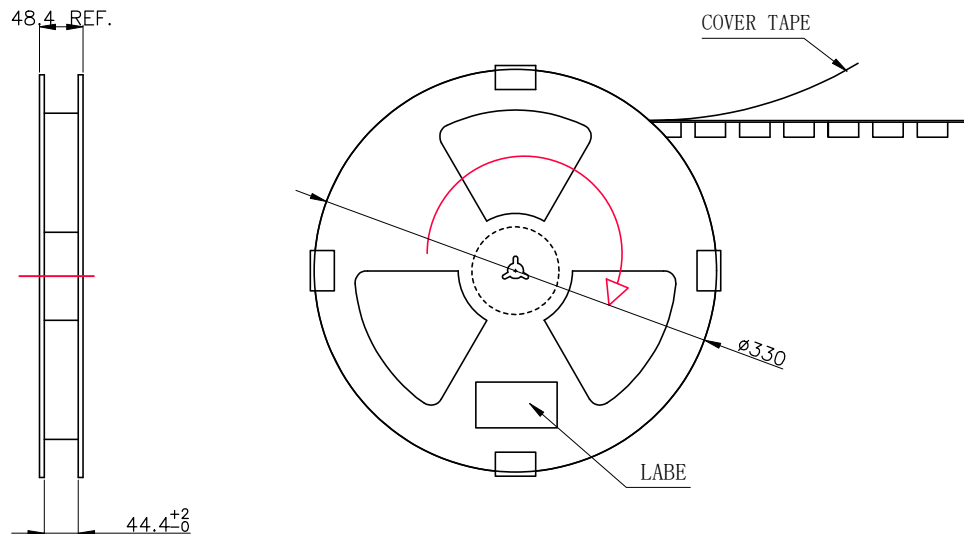
QTY/REEL	REEL/CARTON	QTY/CARTON
700	6	4200



<图三>

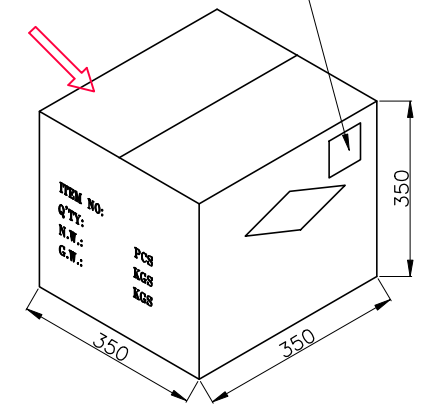


<图二>



NOTE:

- 依<图一>示放置产品于下载中, 每穴放置1PCS产品.
- 包装机包好后, 在REEL的个等分点贴上胶带, 以防止REEL张开, 每REEL贴1PCS标签, 如<图二>示
- 包装数量见如<TABLE 1>示
- 包装成箱见如<图三>示
箱底放保利龙板, 再依次将指定数量的卷装产品放入箱内, 四角分别放入四个三角护板, 最上层再放上保利龙板.
- 封箱, 在封好的纸箱上按客户要求写上料号, 数量等



UNLESS OTHERWISE SPECIFIED TOLERANCES		东莞市汉博电子科技有限公司 DONGGUAN HANBO TECHNOLOGY CO., LTD	
DECIMALS:	ANGLES:	TITLE SIM PUSH 6+2PIN H2.2	
X : ±0.30	X : ±2°	DWN	xiong PART NO. SIM-1006-P8
X.X : ±0.20	X.X : ±1°	CHKD	lee SCALE:1:1 UNIT: mm
X.XX : ±0.10		APVD	wang SIZE: A4 SHEET:10F 1 REV: A4
CUSTOMER COPY			