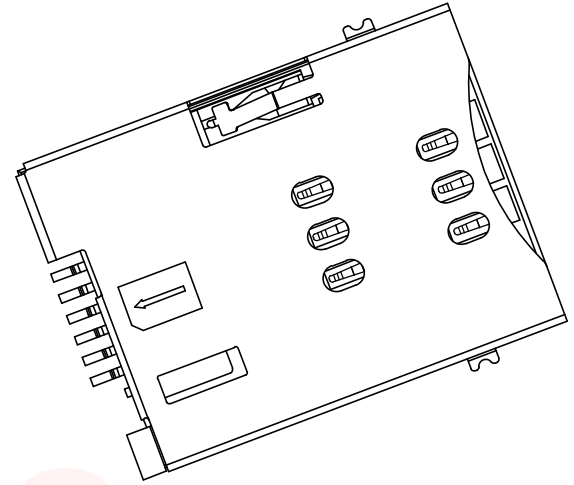
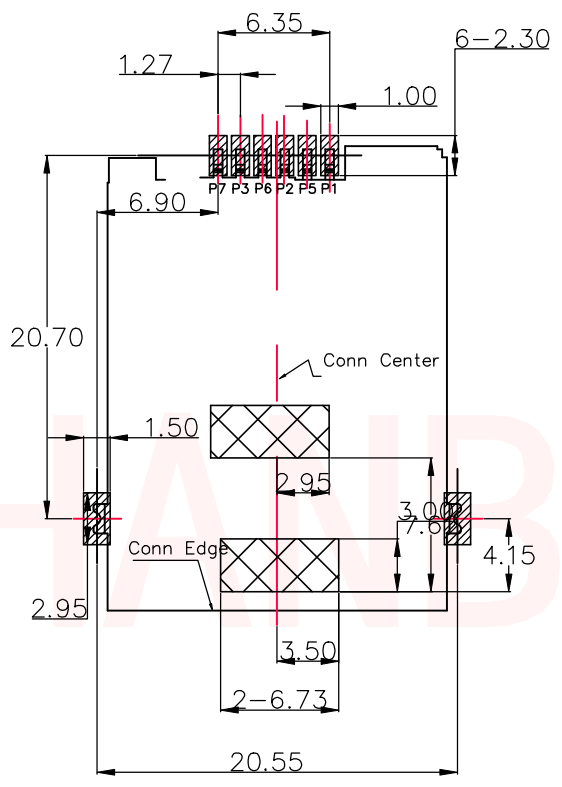
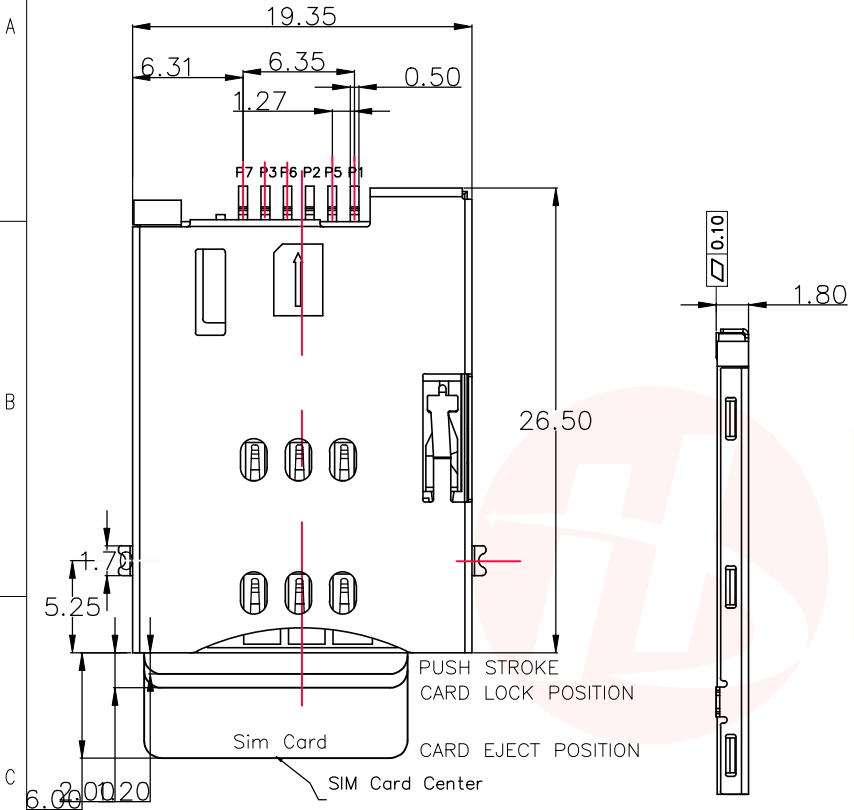




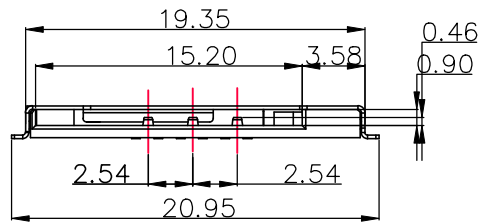
REV.	ECN NO OR DESCRIPTION	REVISED	DATE



Specification:

- \*Electrical Characteristics:  
Current Rating:0.5A.  
Withstanding Voltage:AC500V r.m.s.  
Insulation Resistance:1000Megohms Minimum at DC 500V
- Contact Resistance:100Miliohms Maximum.
- \*Mechanical Characteristics:  
Mating Cycles:3000 Insertions.
- \*Environmntal:  
Operating Temperture:-25°To+70°

RECOMMENDED PCB LAYOUT  
GENERAL TOLERANCE ±0.05  
 PAD AREA  
 FORBIDDEN AREA

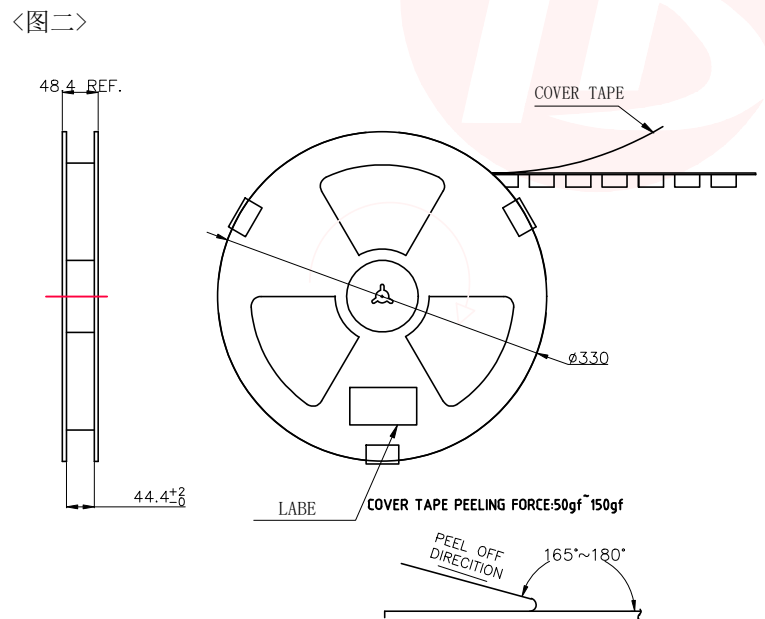
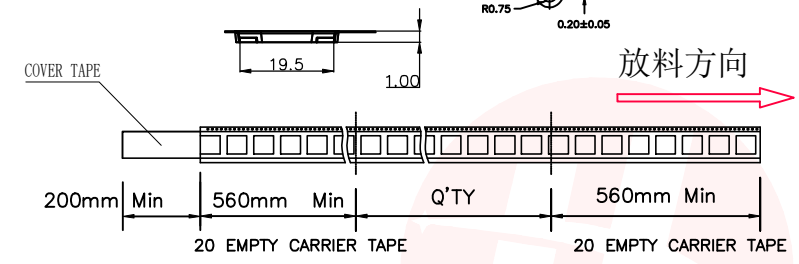
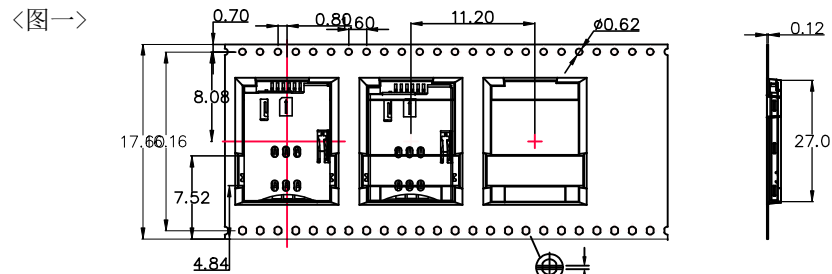


CONNECTOR TERMINAL NO	PIN NO
PIN 1	VCC:PWR SIGNAL AND GND
PIN 2	RST:RESET SIGNAL
PIN 3	CLK:CLOCKING SIGNAL
PIN 5	GND:PWR SIGNAL AND GND
PIN 6	VPP:PROGRAMMING VOLTAGE
PIN 7	I/O:SERIAL DATA INPUT/OUTPUT

UNLESS OTHERWISE SPECIFED TOLERANCES		东莞市汉博电子科技有限公司 DONGGUAN HANBO TECHNOLOGY CO., LTD			
DECIMALS:	ANGLES:	TITLE	SIM CARD PUSH 6PIN H=1.80mm 无柱		
X :±0.45	X :±2°	DWN	xiong	PART NO. SIM-1002W-P6	
X.X :±0.35	X.X :±1°	CHKD	lee	SCALE:1:1	UNIT: mm
X.XX :±0.25		APVD	wang	SIZE: A4	SHEET:10F 1
		REV: A4			
CUSTOMER COPY					

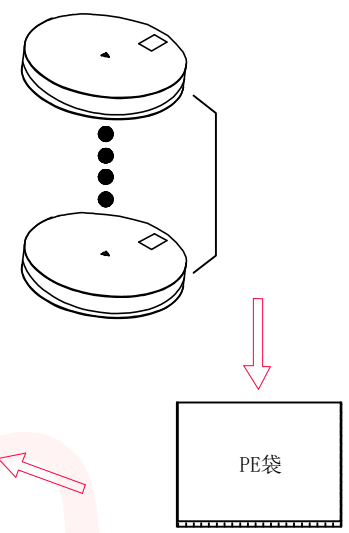
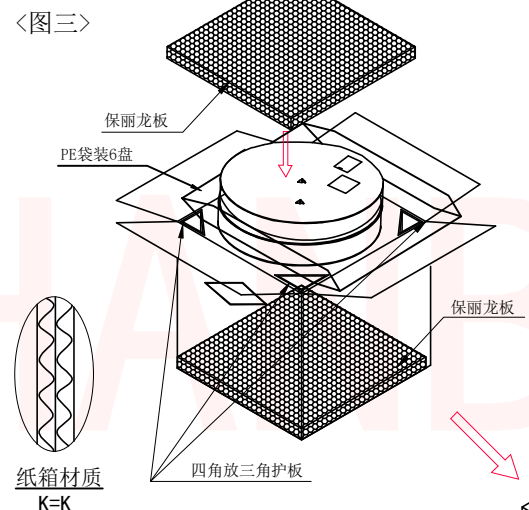


REV.	ECN NO OR DESCRIPTION	REVISED	DATE

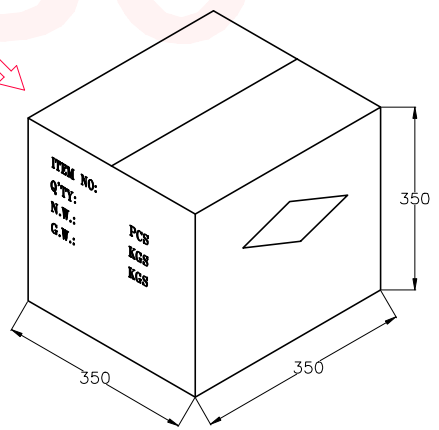


<TABLE 1> PACKAGING QUANTITY

QTY/REEL	REEL/CARTON	QTY/CARTON
550	6	3300



- 备注:
- 依<图一>示放置产品于Carrier tape中, 每穴放置1PCS产品, Carrier tape卷绕时, 前端和尾端各需预留20PCS空格.
  - Cover tape覆盖Carrier tape前端需超出200mmMIN, 后端需留出300mmMIN, 两端都以美文胶贴固.
  - 包装机包好后, 在Reel的n个等分点贴上胶带, 以防止REEL张开, 每Reel贴1PCS标签, 如<图二>示
  - 包装数量见如<TABLE 1>示
  - 包装成箱见如<图三>示  
箱底放保丽龙板, 再将PE袋(6个Reel盘)放入箱内, 四角各放一个三角护板, 最上层再放上保丽龙板.
  - 封箱, 在封好的纸箱侧面中间位置贴上出货标签.



UNLESS OTHERWISE SPECIFIED TOLERANCES		东莞市汉博电子科技有限公司 DONGGUAN HANBO TECHNOLOGY CO., LTD			
DECIMALS:	ANGLES:	TITLE	SIM CARD PUSH 6PIN H=1.80mm 无桩		
X :±0.45	X :±2°	DWN	xiong	PART NO. SIM-1002W-P6	
X.X :±0.35	X.X :±1°	CHKD	lee	SCALE:1:1	UNIT: mm
X.XX :±0.25		APVD	wang	SIZE: A4	SHEET:10F 1
		REV: A4			
CUSTOMER COPY					