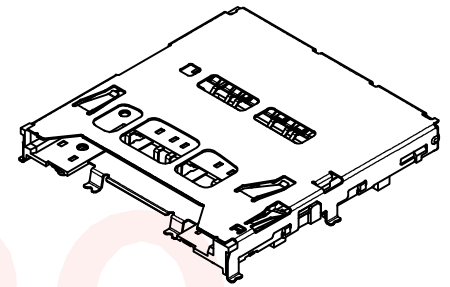
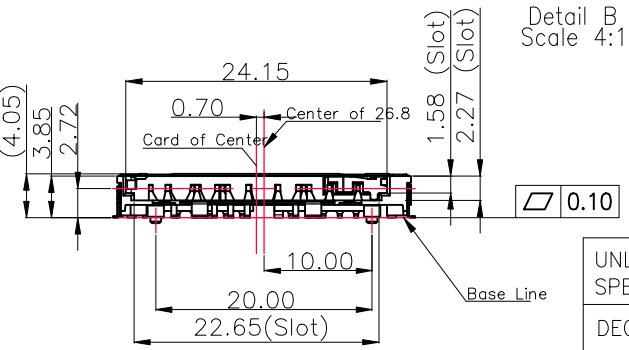
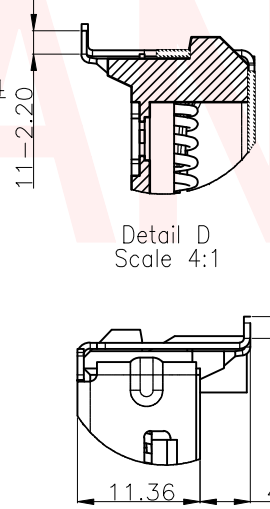
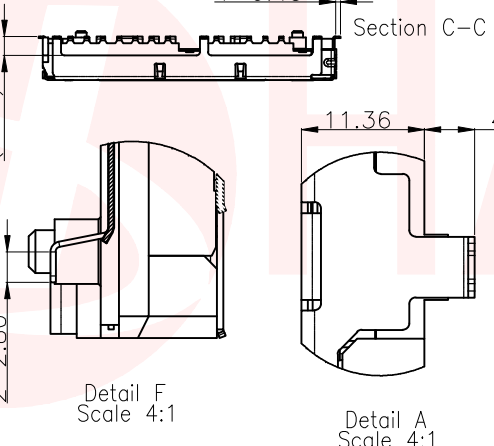
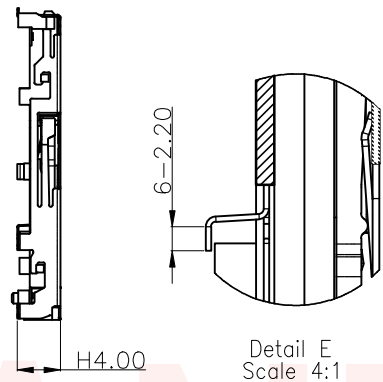
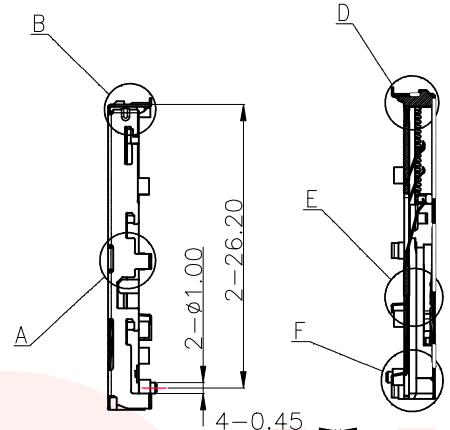
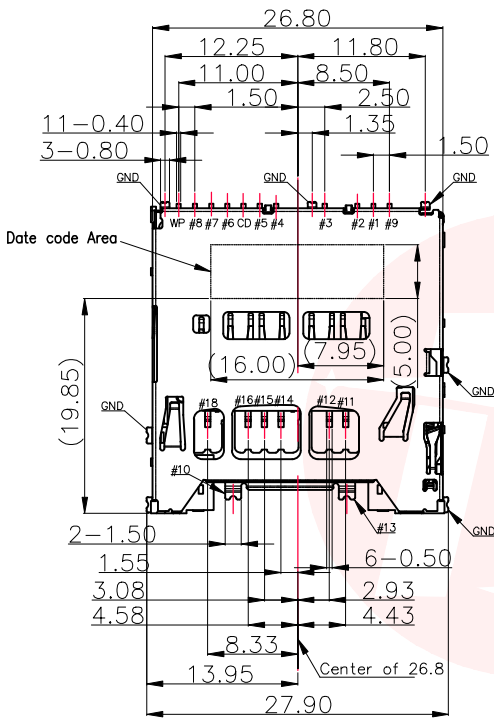




REV.	ECN NO OR DESCRIPTION	REVISED	DATE

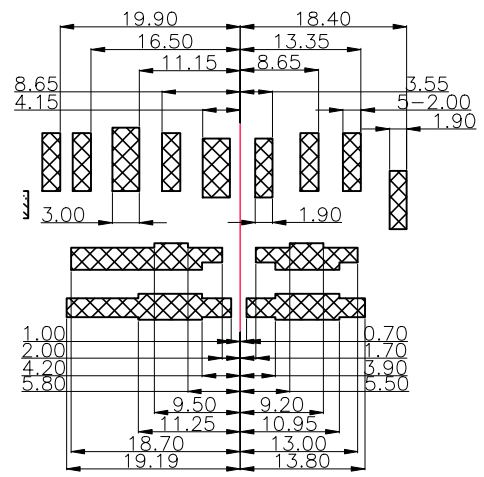
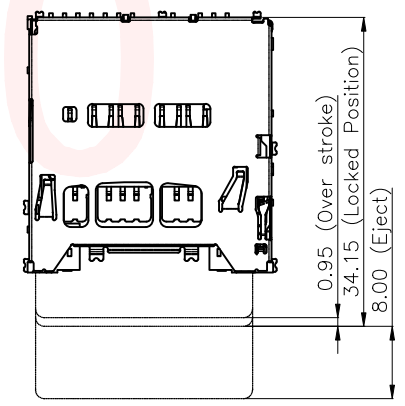
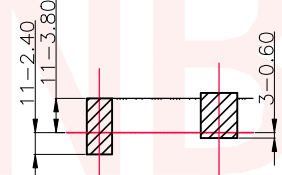
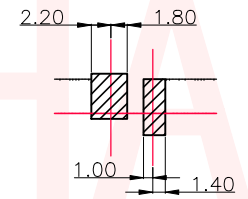
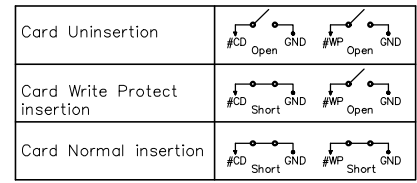
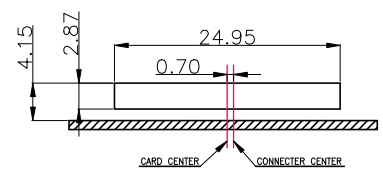
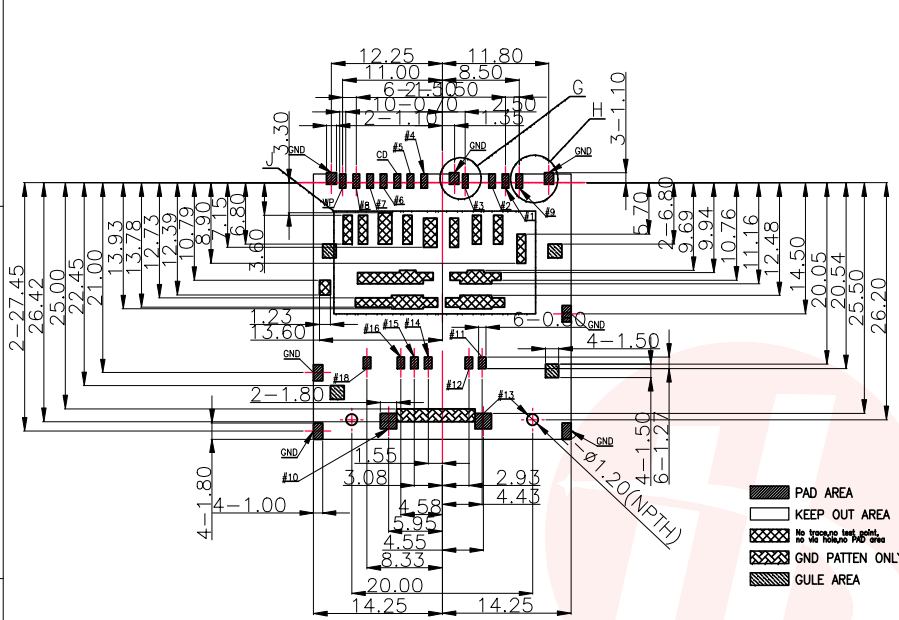


- Note:**
- Material:**
 - 1-1. Plastic: LCP, S475, Black, HF, UL94V-0
 - 1-2. Contact: C5210
 - 1-3. Shell: SUS304
 - Plating:**
 - 2-1. Contact:
 - Contact Area: Au 1μ" min. Plating Over Ni 50μ" min.
 - Soldertile: Gold Flash Plating Over Ni 50μ" min.
 - 2-2. Shell:
 - Solderable Ni 50μ" min. Over All
 - Contact And Soldertile Coplanarity to be 0.10mm max.**
 - Electrical Characteristics:**
 - 4-1. Contact Current Rating: 0.5Amperes.
 - 4-2. Dielectric Withstanding Voltage: AC500V r. m. s.
 - 4-3. Insulation Resistance: 1000 Megohms
 - 4-4. Contact Resistance: 100 Miliohms Maximum.
 - Environmental:**
 - 5-1. Operating Temperature: -25° C to +85° C.
 - 5-2. Salty spray: 48H

UNLESS OTHERWISE SPECIFIED TOLERANCES		东莞市汉博电子科技有限公司 DONGGUAN HANBO TECHNOLOGY CO., LTD			
DECIMALS: ANGLES:		TITLE SD 7.0 H4.0 SMT PUSH-PUSH			
X :±0.35	X :±2°	DWN	xiong	PART NO. SD-740	
X.X :±0.20	X.X :±1°	CHKD	lee	SCALE:1:1	UNIT: mm
X.XX :±0.10		APVD	wang	SIZE: A4	SHEET:10F 1
		REV: A4			
CUSTOMER COPY					



REV.	ECN NO OR DESCRIPTION	REVISED	DATE



Pin Assignment

Pin#	SD Mode	UHS II Mode	SD Express Card	Pin#	SD Mode	UHS II Mode	SD Express Card
#1	CD/DAT3		PERST#	#11		D0+	PCle_Tx+
#2	CMD			#12		D0-	PCle_Tx-
#3	VSS1	VSS1	VSS1	#13		VSS4	VSS4
#4	VDD	VDD1	VDD1	#14		VDD2	VDD2
#5	CLK			#15		D1-	PCle_Rx-
#6	VSS2	VSS2	VSS2	#16		D1+	PCle_Rx+
#7	DAT0	RCLK+	REFCLK+	#17		VSS5	VSS5
#8	DAT1	RCLK-	REFCLK-	#18			VDD3
#9	DAT2		CLKREQ#	CD			Card Detect
#10		VSS3	VSS3	WP			Write Protect

Function #10, #13, #17 were integrated into 2 pin inMechanical design, and compares to the Layout would be (#10, #13)

UNLESS OTHERWISE SPECIFIED TOLERANCES		东莞市汉博电子科技有限公司 DONGGUAN HANBO TECHNOLOGY CO., LTD			
DECIMALS:	ANGLES:	TITLE	SD 7.0 H4.0 SMT PUSH PUSH		
X ± 0.35	X $\pm 2^\circ$	DWN	xiong	PART NO. SD-740	
X.X ± 0.20	X.X $\pm 1^\circ$	CHKD	lee	SCALE:1:1	UNIT: mm
X.XX ± 0.10		APVD	wang	SIZE: A4	SHEET:1OF 1
					REV: A4
				CUSTOMER COPY	