

RECOMMENDED P.C.B LAYOUT (COMPONENT SIDE)
PCB THICKNESS: ±0.05mm

1. MATERIAL SPECIFICATION: SEE TABLE "A";
2. MECHANICAL PERFORMANCE:
 - 2-1. INSERTION FORCE: 5~20N;
 - 2-2. REMOVAL FORCE: 8~20N, AFTER DURABILITY EXTRACTION FORCE: 6~20N;
 - 2-3. DURABILITY: 10000 CYCLES;
3. ELECTRICAL PERFORMANCE:
 - 3-1. CURRENT RATING: 5A Max.;
 - 3-2. LLCR: VBUS & GND PINS AND OTHER PINS: 40mΩ/PIN MAX.; LLCR MAX. CHANGE OF ALL PINS: 10mΩ;
 - 3-3. INSULATION RESISTANCE: 100MΩ MIN.;
 - 3-4. DIELECTRIC WITHSTAND VOLTAGE, AC 100V FOR 1 MINUTE;
4. RoHS COMPLIANT;
5. IR REFLOW: THE PEAK TEMPERATURE ON THE BOARD;
6. ENVIRONMENTAL PERFORMANCE: OPERATING TEMPERATURE: -55°C~+85°C;

USB TYPE-C PIN ASSIGNMENTS

PIN NUMBER	SIGNAL NAME	PIN NUMBER	SIGNAL NAME
A1	GND	B12	GND
A2	SSTXP1	B11	SSRX1
A3	SSTXN1	B10	SSRXN1
A4	VBUS	B9	VBUS
A5	CC1	B8	SBU2
A6	Dp1	B7	Dn2
A7	Dn1	B6	Dp2
A8	SBU1	B5	CC2
A9	VBUS	B4	VBUS
A10	SSRXN2	B3	SSTXN2
A11	SSRX1	B2	SSTXP2
A12	GND	B1	GND

P/N	L	F脚长	COLOER	额定电流
HC-TYPE C-24P-DS_CH3_4-5A-12	10.10mm	0.70mm	黑色	5A

Ordering Information

HC-TYPE CM -24P - ** * - *A - F* - * - 12

Pin	Type	Current Rated	Foot Length	Colour
4P	TM=Top Mount (图1)	5A	0.70	Black
6P	DS=DS-SMT (图2)	5A	0.70	White
9P	MM=Mt Mount (图3)	10A	0.70	Blue
12P	CH=Carrier Height (图4)	10A	0.70	Green
16P	VS=Vertical SMT (图5)	10A	0.70	Orange
24P	DP=DP (图6)	10A	0.70	Purple
	CP=CP (图7)	10A	0.70	Yellow
	FL=Flag (图8)	10A	0.70	Yellow

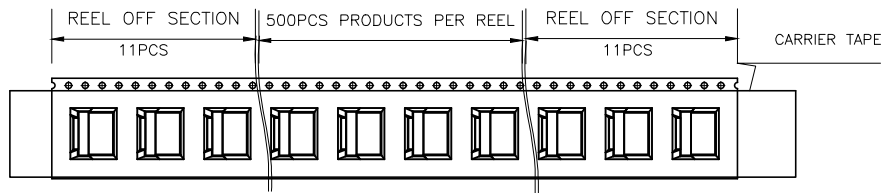
TABLE "A":

ITEM	DESCRIPTION	QTY	MATERIAL	FINISH
6	OUTER-SHELL	1	STAINLESS STEEL	SOLDER NICKEL: 50U* MIN
5	INNER-SHELL	1	STAINLESS STEEL	SOLDER NICKEL: 50U* MIN
4	TOP TERMINAL	1	COPPER ALLOY	MATING AREA-AU 3u" SOLDER TAIL-MATTE TIN 50 MIN, 50u* NICKEL OVERALL.
3	BOTTOM TERMINAL	1	COPPER ALLOY	MATING AREA-AU 3u" SOLDER TAIL-MATTE TIN 50 MIN, 50u* NICKEL OVERALL.
2	MID PLATE	1	STAINLESS STEEL	SOLDER NICKEL: CLEANING
1	MAIN HOUSING	1	HIGH TEMPERATURE BLACK	

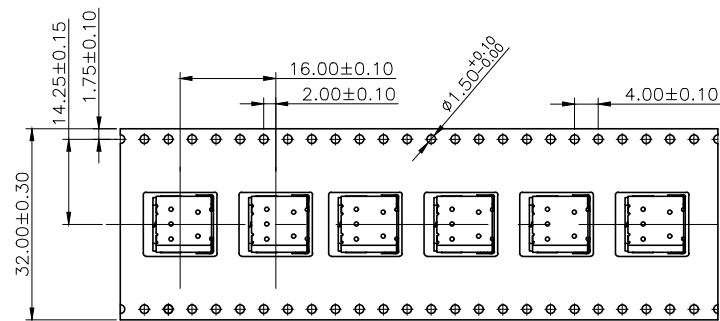
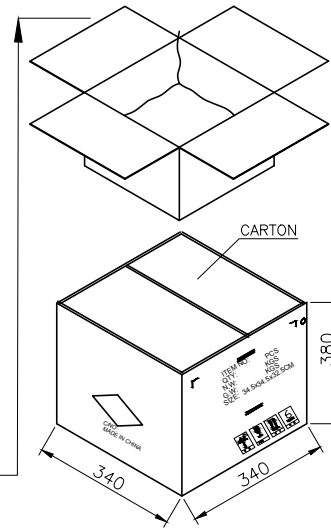
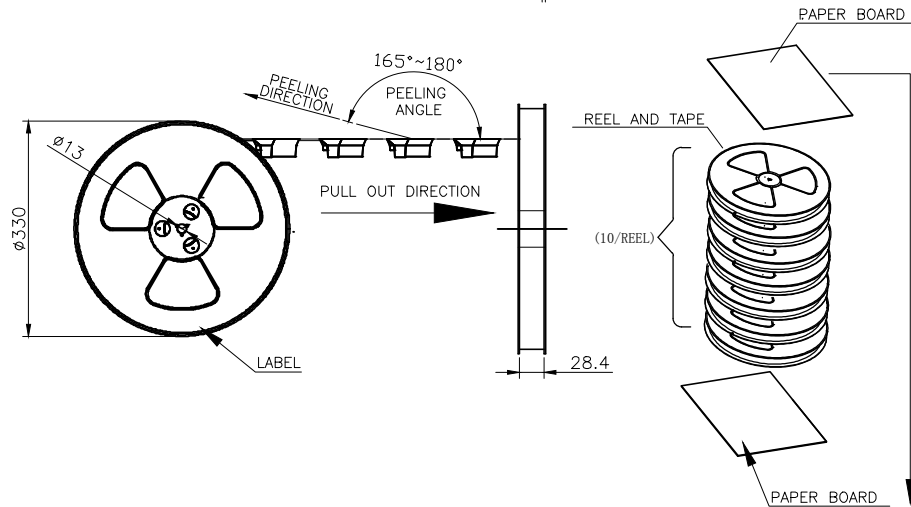
GENERAL TOLERANCE		制图	审核
DIM	TOL	DRAWING	CHECK
X.X	±0.30	批准	APPROVAL
X.XX	±0.20	比例	SCALE
X.XXX	±0.10	投影	Projection
Angle	±3.0°		

深圳市华灿天禄电子有限公司
Shenzhenhuacantianlu ELECTRONICS CO., LTD

产品名称	TYPE	版本	REV.
TYPE CF 24P 前插后贴+垫高 CH3.40 L10.1mm 无弹带柱			A
产品料号	PART NO.	单位	UNITS
HC-TYPE-C-24P-DS_CH3_4-5A-12		mm	
材料	MATERIAL	页次	SHEET
		1/2	



pcs/box	boxs/Carton	Pcs/Box
500	10	5000



			GENERAL TOLERANCE	制图 DRAWING	深圳市华灿天禄电子有限公司 ShenzhenhuacantianluELECTRONICS CO.,LTD			
			DIM TOL	审核 CHECK	产品名称 TITLE	TYPE CF 24P 前插后贴+垫高 CH3.40 L10.1mm 无弹带柱-包装图	版本 REV.	A
			X.X ±0.30	批准 APPROVAL	产品料号 PART NO.	HC-TYPE C-24P-DS_CH3.4-5A-12	单位 UNITS	mm
1	初版发行		X.XX ±0.20	投影 Projection	材料 MATERIAL		页次 SHEET	2/2
			X.XXX ±0.10					
序号 No.	变更内容 MODIFY CONTENT	日期 MODIFY DATE	Angle ±3.0°					