

General Description

KEC Field Stop Trench IGBTs offer low switching losses, high energy efficiency and short circuit ruggedness.

It is designed for applications such as Power Factor Correction(PFC), Inverterized MWO, Welder, Uninterrupted Power Supplies(UPS) and General Converters.

FEATURES

- High speed switching
- High ruggedness, temperature stable behavior
- Extremely enhanced avalanche capability

ORDERING INFORMATION

FULL NAME	PACKAGE	SUFFIX
KGF75N65KDF-U/H	TO-247	-
KGF75N65KDF-U/HE	TO-247(E)	Added code "E" to TO-247(E)

MAXIMUM RATING (Ta=25°C)

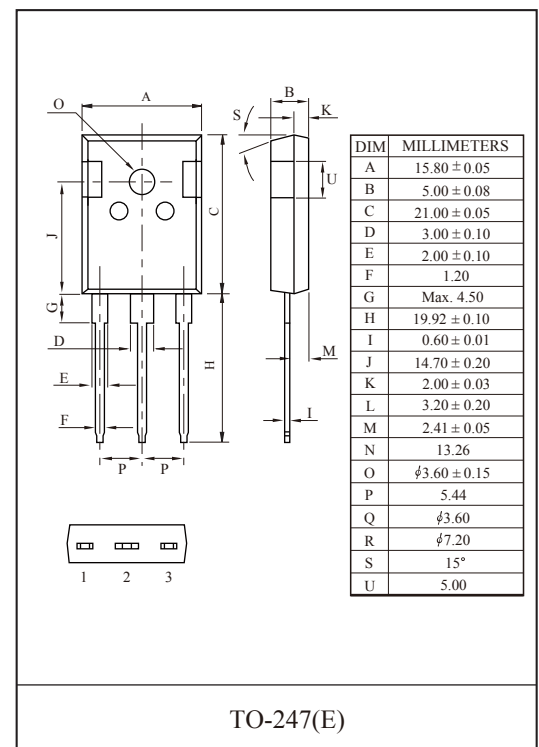
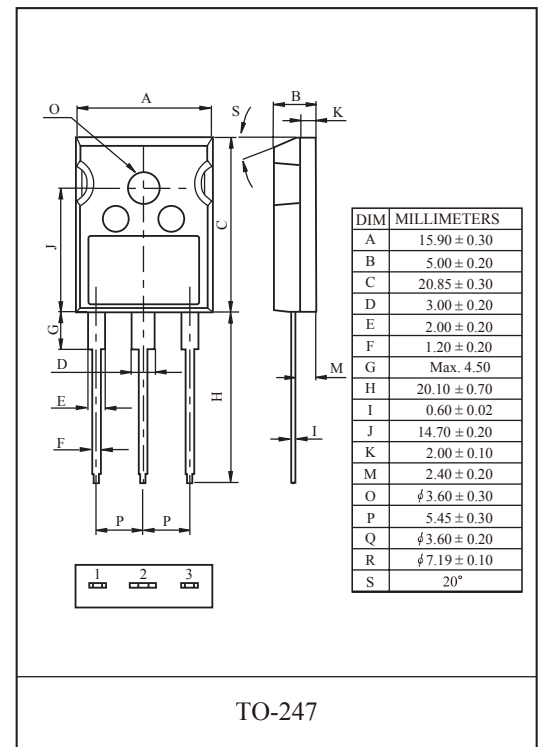
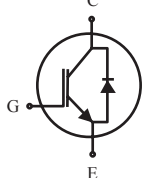
CHARACTERISTIC	SYMBOL	RATING	UNIT
Collector-Emitter Voltage	V_{CES}	650	V
Gate-Emitter Voltage	V_{GES}	± 20	V
Collector Current	@Tc=25°C	100	A
	@Tc=100°C	75	A
Pulsed Collector Current	I_{CM}^*	225	A
Diode Continuous Forward Current	@Tc=25°C	I_F	75 A
Diode Maximum Forward Current		I_{FM}^*	225 A
Maximum Power Dissipation	@Tc=25°C	P_D	484 W
	@Tc=100°C		242 W
Maximum Junction Temperature	T_j	175	°C
Storage Temperature Range	T_{stg}	-55 to + 175	°C

*Repetitive rating : Pulse width limited by max. junction temperature

THERMAL CHARACTERISTIC

CHARACTERISTIC	SYMBOL	MAX.	UNIT
Thermal Resistance, Junction to Case (IGBT)	R_{thJC}	0.31	°C/W
Thermal Resistance, Junction to Case (DIODE)	R_{thJC}	1.0	°C/W
Thermal Resistance, Junction to Ambient	R_{thJA}	40	°C/W

PIN CONNECTION



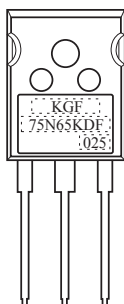
KGF75N65KDF

ELECTRICAL CHARACTERISTICS (Ta=25°C)

CHARACTERISTIC	SYMBOL	TEST CONDITION	MIN.	TYP.	MAX.	UNIT	
Static							
Collector-Emitter Breakdown Voltage	BV_{CES}	$V_{GE}=0V, I_C=250\mu A$	650	-	-	V	
Collector Cut-off Current	I_{CES}	$V_{GE}=0V, V_{CE}=650V$	-	-	250	μA	
Gate Leakage Current	I_{GES}	$V_{CE}=0V, V_{GE}=\pm 20V$	-	-	± 100	nA	
Gate Threshold Voltage	$V_{GE(th)}$	$V_{GE}=V_{CE}, I_C=1mA$	4.2	5.3	6.4	V	
Collector-Emitter Saturation Voltage	$V_{CE(sat)}$	$V_{GE}=15V, I_C=75A$	-	1.77	2.2	V	
		$V_{GE}=15V, I_C=75A, T_C = 150^\circ C$	-	2.2	-	V	
Dynamic							
Total Gate Charge	Q_g	$V_{CC}=400V, V_{GE}=15V, I_C=75A$	-	128	-	nC	
Gate-Emitter Charge	Q_{ge}		-	22	-	nC	
Gate-Collector Charge	Q_{gc}		-	60	-	nC	
Turn-On Delay Time	$t_{d(on)}$	$V_{CC}=400V, V_{GE}=15V, I_C=75A, R_G=10\Omega$ Inductive Load, $T_C = 25^\circ C$ (Note 1)	-	63	-	ns	
Rise Time	t_r		-	115	-	ns	
Turn-Off Delay Time	$t_{d(off)}$		-	177	-	ns	
Fall Time	t_f		-	90	-	ns	
Turn-On Switching Loss	E_{on}		-	3.6	-	mJ	
Turn-Off Switching Loss	E_{off}		-	2.1	-	mJ	
Total Switching Loss	E_{ts}		-	5.7	-	mJ	
Turn-On Delay Time	$t_{d(on)}$		$V_{CC}=400V, V_{GE}=15V, I_C=75A, R_G=10\Omega$ Inductive Load, $T_C = 150^\circ C$ (Note 1)	-	68	-	ns
Rise Time	t_r			-	123	-	ns
Turn-Off Delay Time	$t_{d(off)}$			-	202	-	ns
Fall Time	t_f	-		61	-	ns	
Turn-On Switching Loss	E_{on}	-		4.4	-	mJ	
Turn-Off Switching Loss	E_{off}	-		2.3	-	mJ	
Total Switching Loss	E_{ts}	-		6.7	-	mJ	
Input Capacitance	C_{ies}	$V_{CE}=30V, V_{GE}=0V, f=1MHz$	-	3555	-	pF	
Output Capacitance	C_{oes}		-	198	-	pF	
Reverse Transfer Capacitance	C_{res}		-	41	-	pF	
Short Circuit Withstand Time	t_{sc}	$V_{CC}=300V, V_{GE}=15V, T_C=100^\circ C$	5	-	-	μs	

Note 1 : Energy loss include tail current and diode reverse recovery.

Marking



- ① Device Mark 1
- ② Device Mark 2
- ③ Lot No

KGF75N65KDF

ELECTRICAL CHARACTERISTIC OF DIODE

CHARACTERISTIC	SYMBOL	TEST CONDITION		MIN.	TYP.	MAX.	UNIT
Diode Forward Voltage	V_F	$I_F = 75A$	$T_C = 25^\circ C$	-	2.0	-	V
			$T_C = 150^\circ C$	-	2.04	-	
Diode Reverse Recovery Time	t_{rr}	$V_{CC} = 400V$	$T_C = 25^\circ C$	-	122	-	ns
			$T_C = 150^\circ C$	-	155	-	
Diode Peak Reverse Recovery Current	I_{rr}	$I_F = 75A$	$T_C = 25^\circ C$	-	11.9	-	A
			$T_C = 150^\circ C$	-	13	-	
Diode Reverse Recovery Charge	Q_{rr}	$di/dt = 300A/\mu s$	$T_C = 25^\circ C$	-	0.8	-	μC
			$T_C = 150^\circ C$	-	1.4	-	

KGF75N65KDF

Fig 1. Saturation Voltage Characteristics

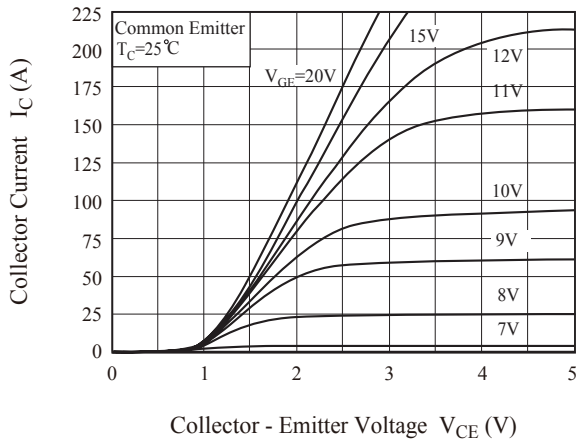


Fig 2. Saturation Voltage Characteristics

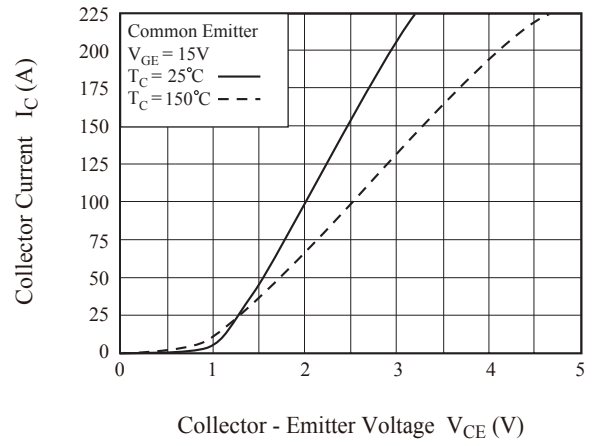


Fig 3. Saturation Voltage vs. Case Temperature

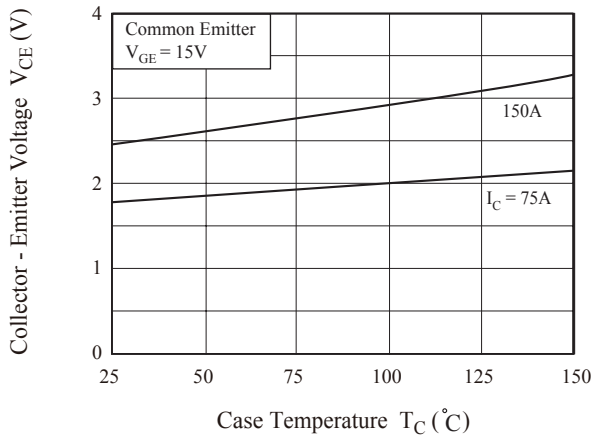


Fig 4. Saturation Voltage vs. V_{GE}

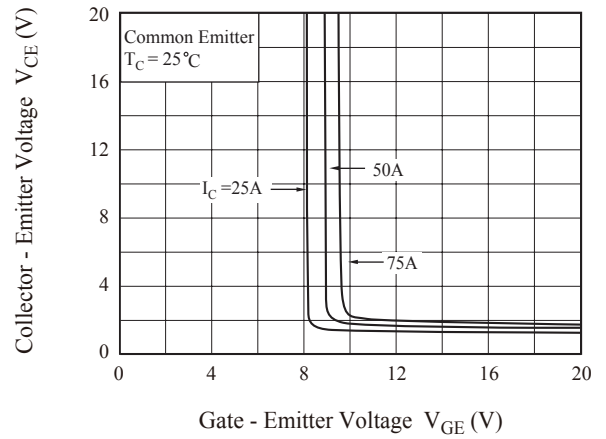


Fig 5. Saturation Voltage vs. V_{GE}

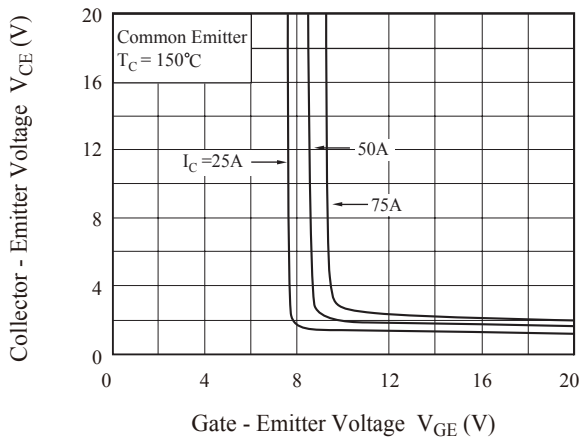


Fig 6. Capacitance Characteristics

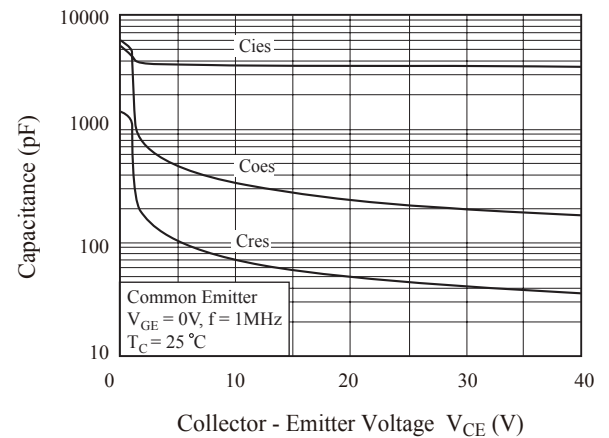


Fig 7. Turn-On Characteristics vs. Gate Resistance

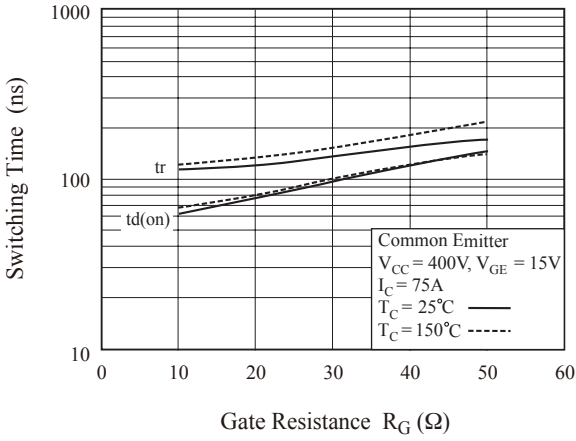


Fig 8. Turn-Off Characteristics vs. Gate Resistance

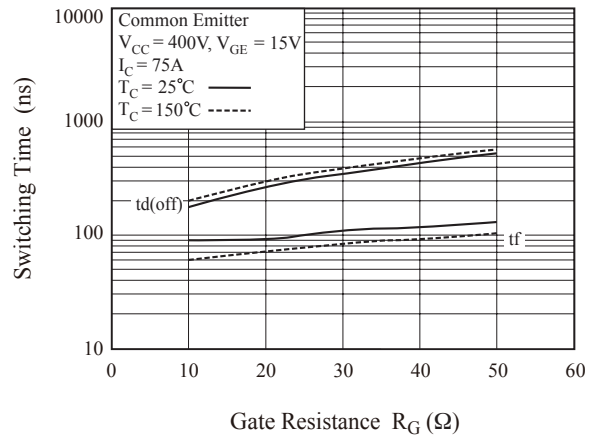


Fig 9. Switching Loss vs. Gate Resistance

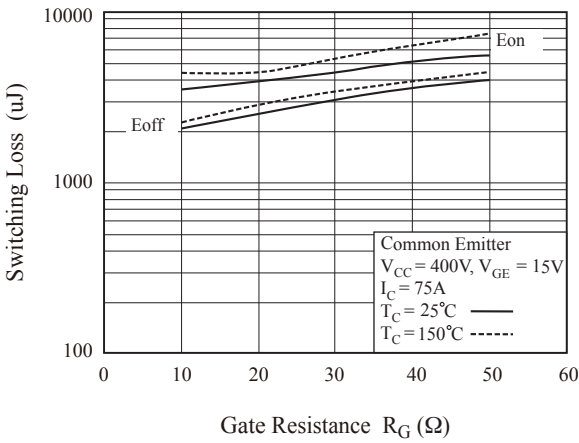


Fig 10. Turn-On Characteristics vs. Collector Current

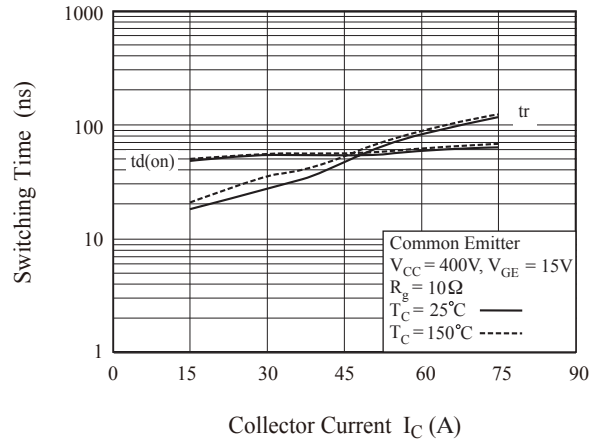


Fig 11. Turn-Off Characteristics vs. Collector Current

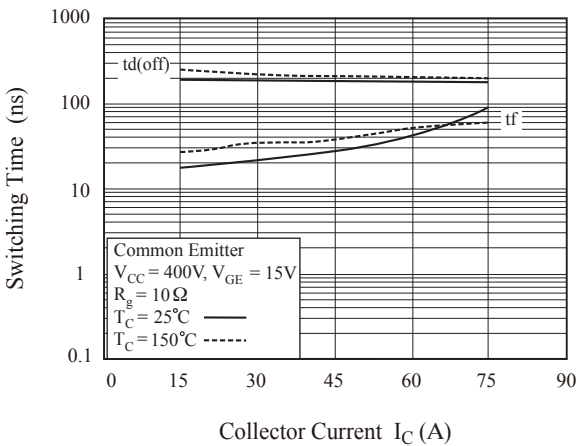


Fig 12. Switching Loss vs. Collector Current

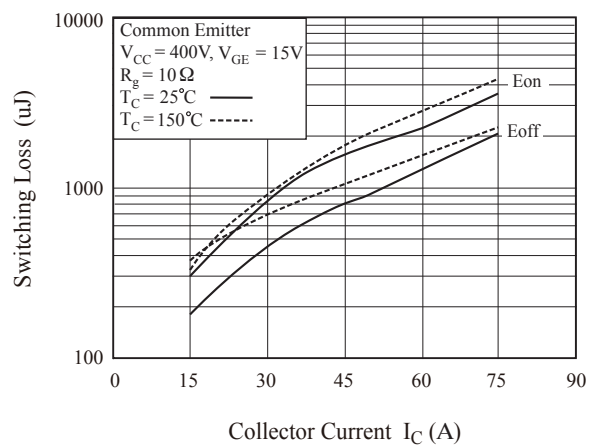


Fig 13. Gate Charge Characteristics

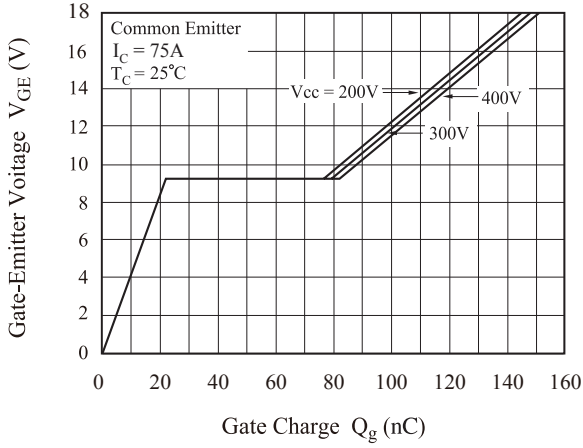


Fig 14. SOA Characteristics

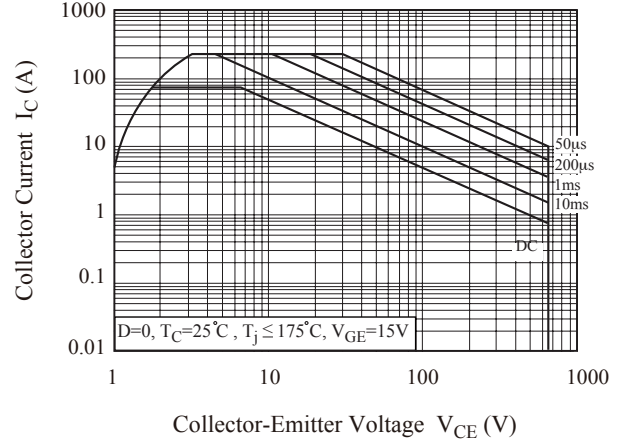


Fig 15. Transient Thermal Impedance of IGBT

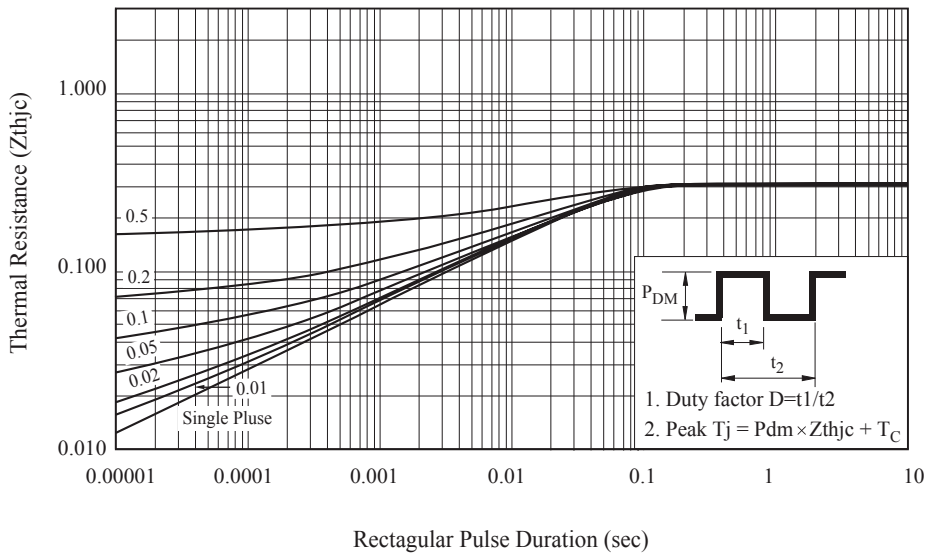


Fig 16. Forward Characteristics

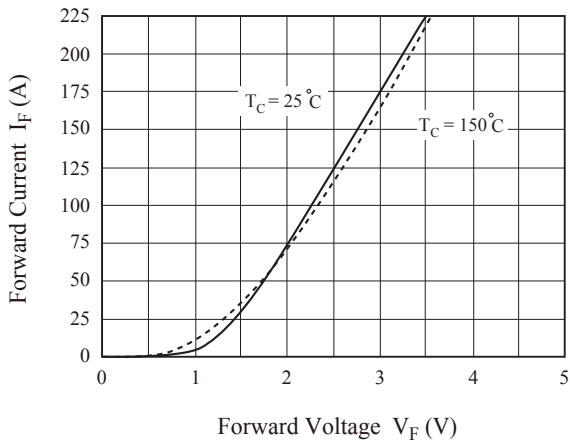


Fig 17. Reverse Recovery Current

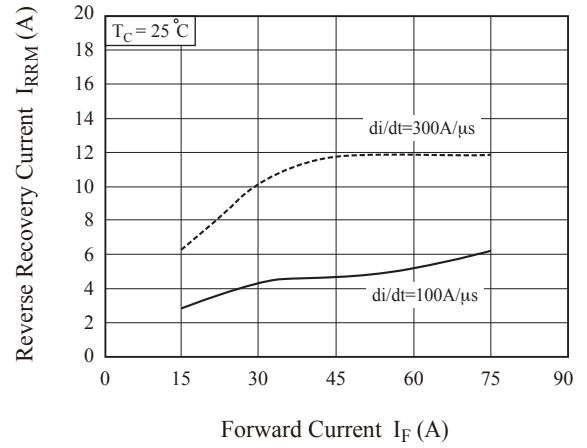


Fig 18. Reverse Recovery Time

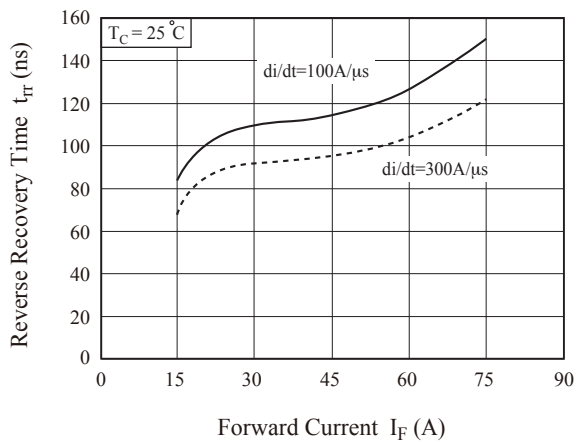


Fig 19. Switching Test Circuit

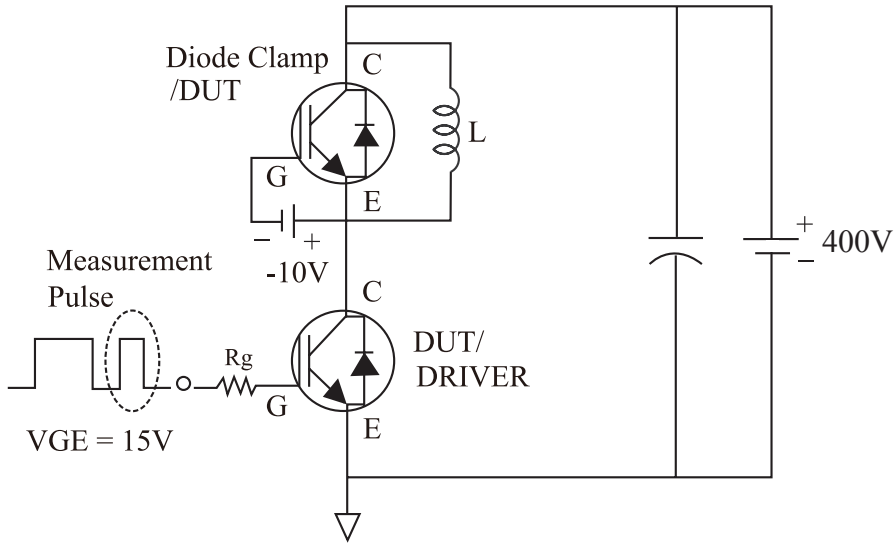


Fig 20. Definition Switching Time & Loss

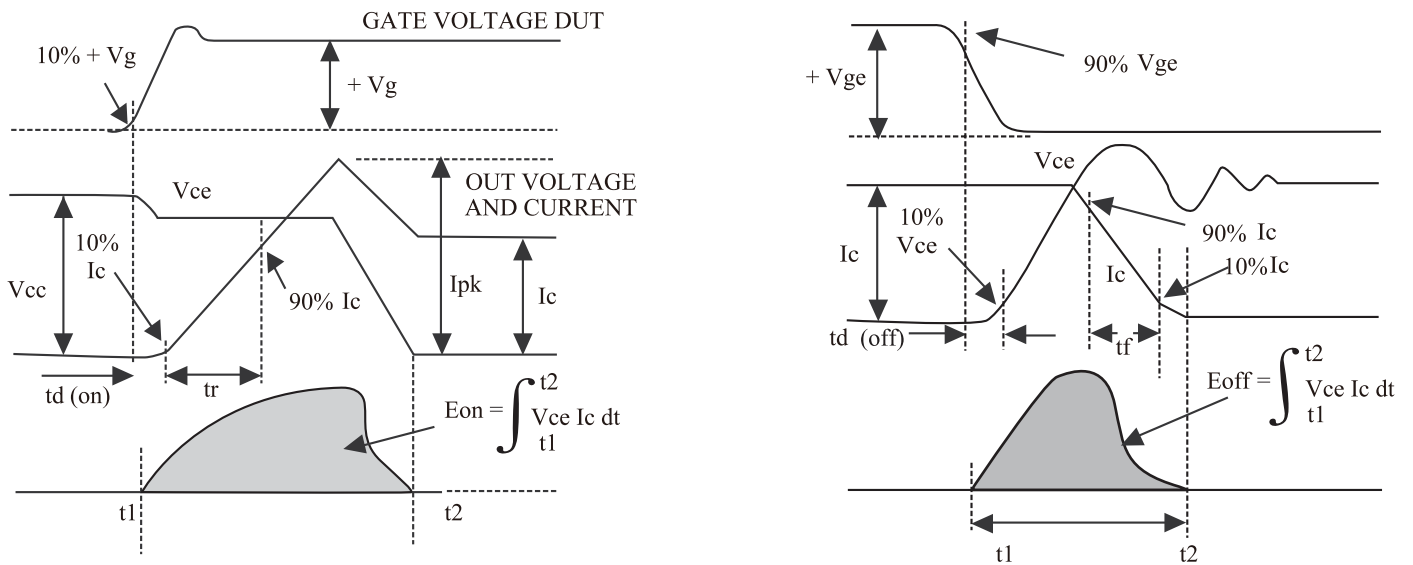


Fig 21. Definition Diode Switching Time

