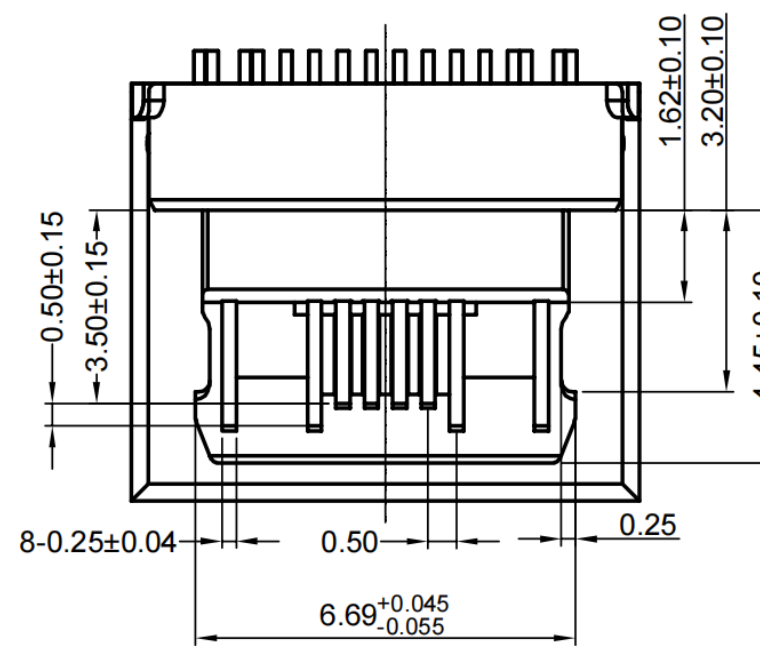


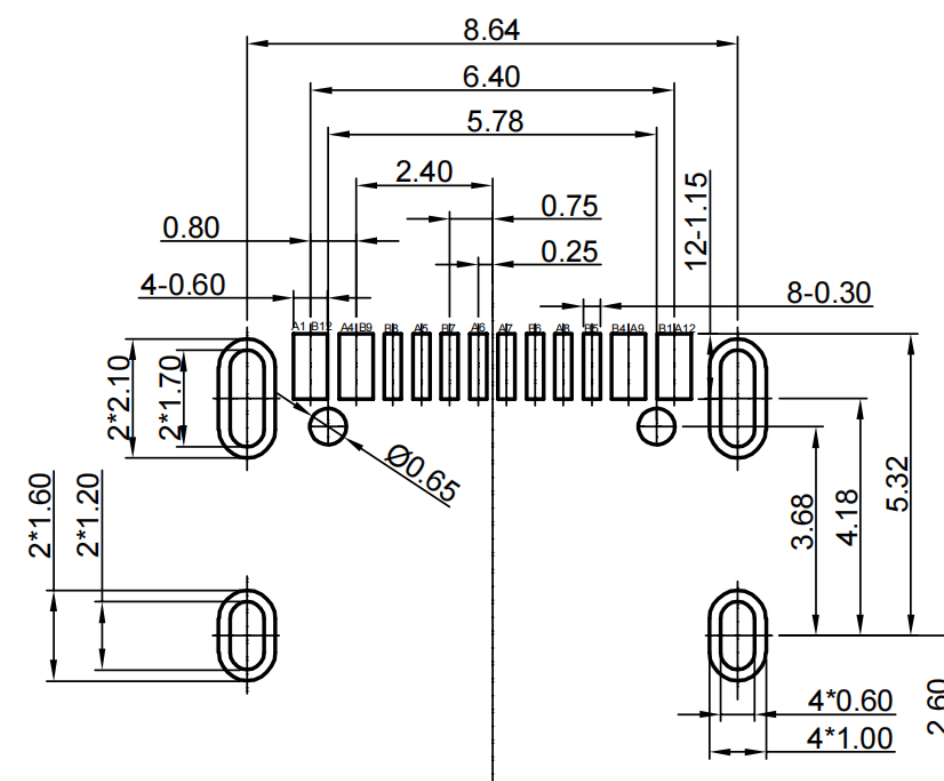
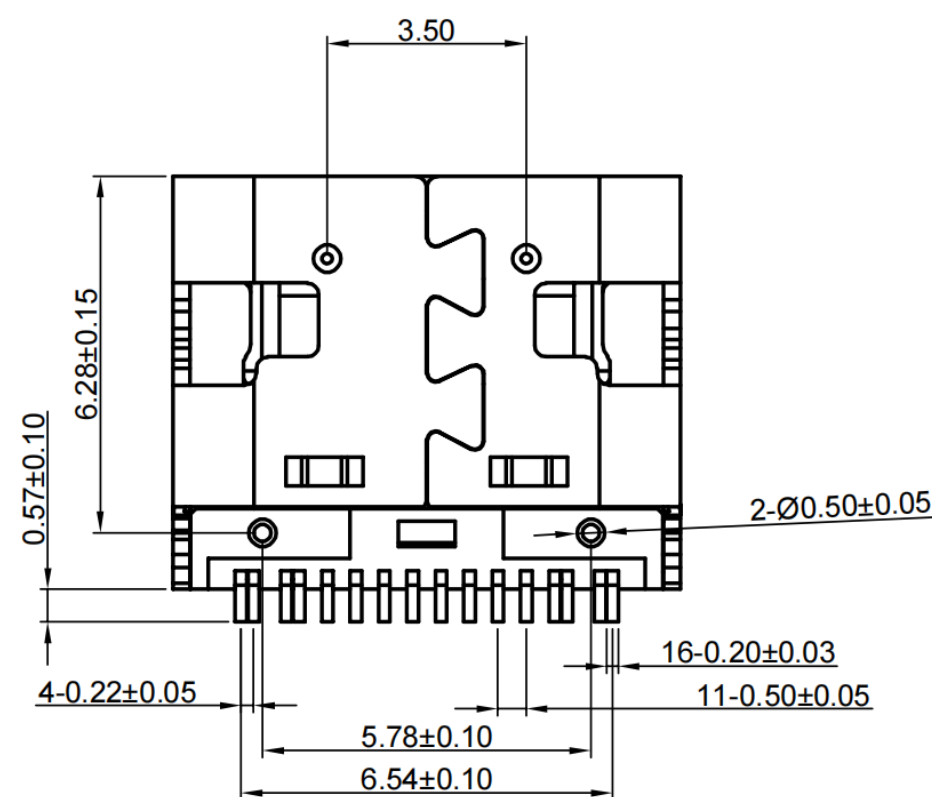
SECTION A-A
SCALE 1:1



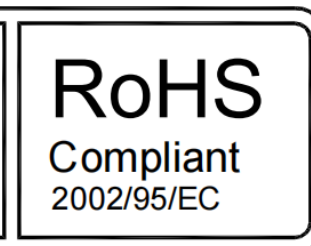
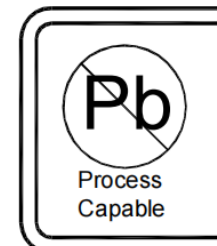
SECTION B-B
SCALE 1:1

G-Switch USB-C Specification:

1. Current rating: 5A on Vbus/1.25A on Vconn/0.25A on other
2. Dielectric Voltage: 100V AC/minute
3. Contact resistance: 40mΩ Max
4. Insulation resistance: 100MΩ Min
5. Temperature range: -55 °C ~ 85 °C
6. Insertion force : 5N~20N
7. Unmating force: 8N~20N
8. Durability: 10,000 Cycles



RECOMMENDED P.C.B. LAYOUT
TOLERANCE UNSPECIFIED ±0.05mm



PIN	SIGNAL NAME	PIN	SIGNAL NAME	NO.	DESCRIPTION	MATERIAL	REMARKS	QTY
A1	GND	B12	GND	6	SHELL	STAINLESS STEEL SUS301	Au/SN Plated	1PCS
A4	VBUS	B9	VBUS	5	SHIELDING PLATE	STAINLESS STEEL SUS304	---	1PCS
A5	CC1	B8	SBU2	4	MD	HIGH TEMPERATURE PLASTIC	Back	1PCS
A6	DP1	B7	DN2	3	CONTACT	COPPER ALLOY C7025TM03	Au3U"/NI50U"/Sn100U" Plated	1SET
A7	DN1	B6	DP2	2	CONTACT	COPPER ALLOY C7025TM03	Au3U"/NI50U"/Sn100U" Plated	1SET
A8	SBU1	B5	CC2	1	HOUSING	HIGH TEMPERATURE PLASTIC	Back	1PCS
A9	VBUS	B4	VBUS					
A12	GND	B1	GND					



Pinzan Electronics (Dongguan) Co., Ltd.

Unless otherwise specified, Tolerance:
 X. ±0.30
 X.x ±0.20
 X.xx ±0.15
 X.xxx ±0.10
 Angles ±3°

DESIGN Li Qingqi DATE 2022.11.30
 Specifications Type-C Receptacle 16pin onboarding
<http://www.dg-switch.com>
 TEL:0769-82388879

Molde code:
 GT-USB-9010ANS
 REV.: X1 SCALE: 4:1 UNIT: mm
 SIZE: A4 SHEET: 1/1