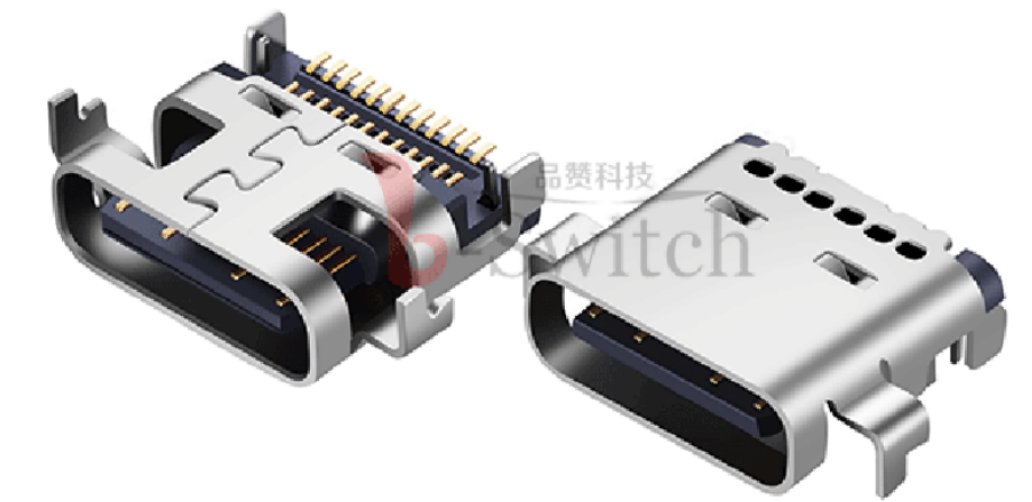
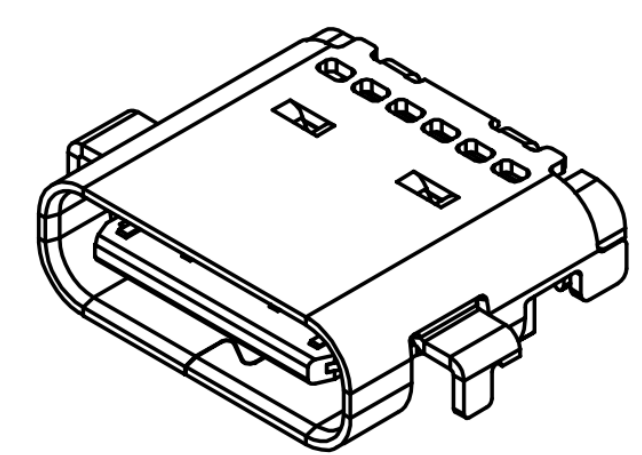
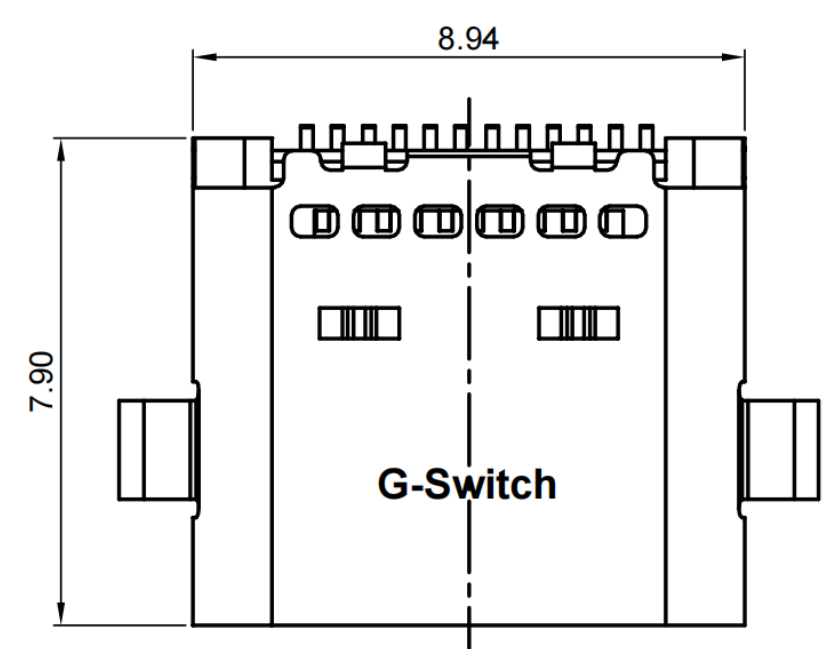
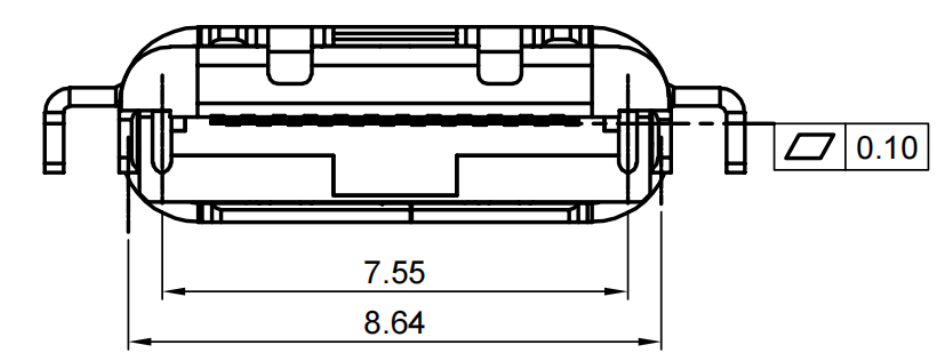
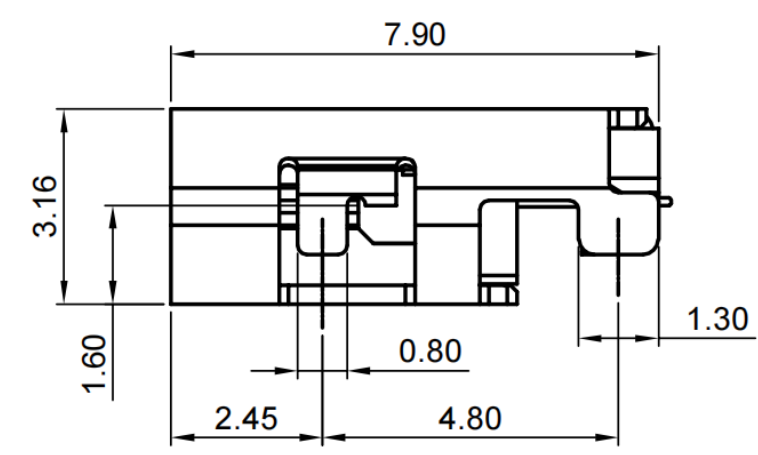
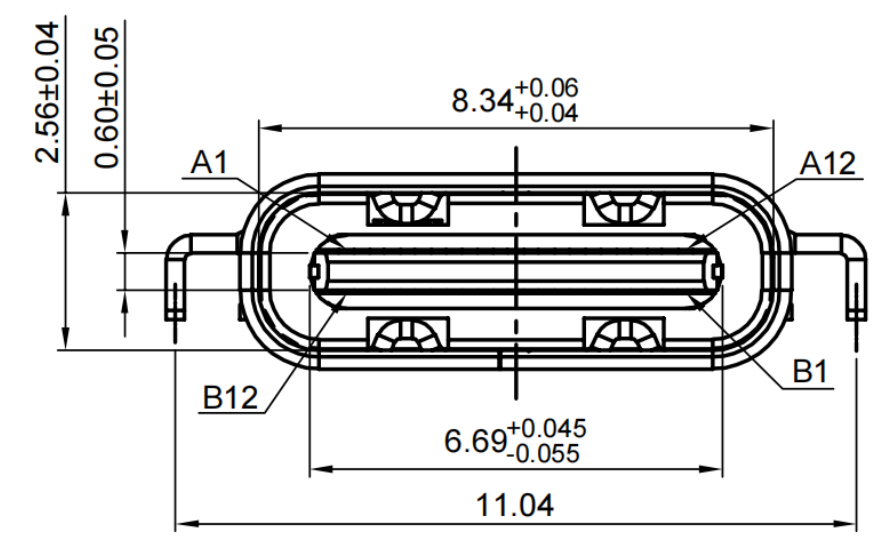


A B C D E

1

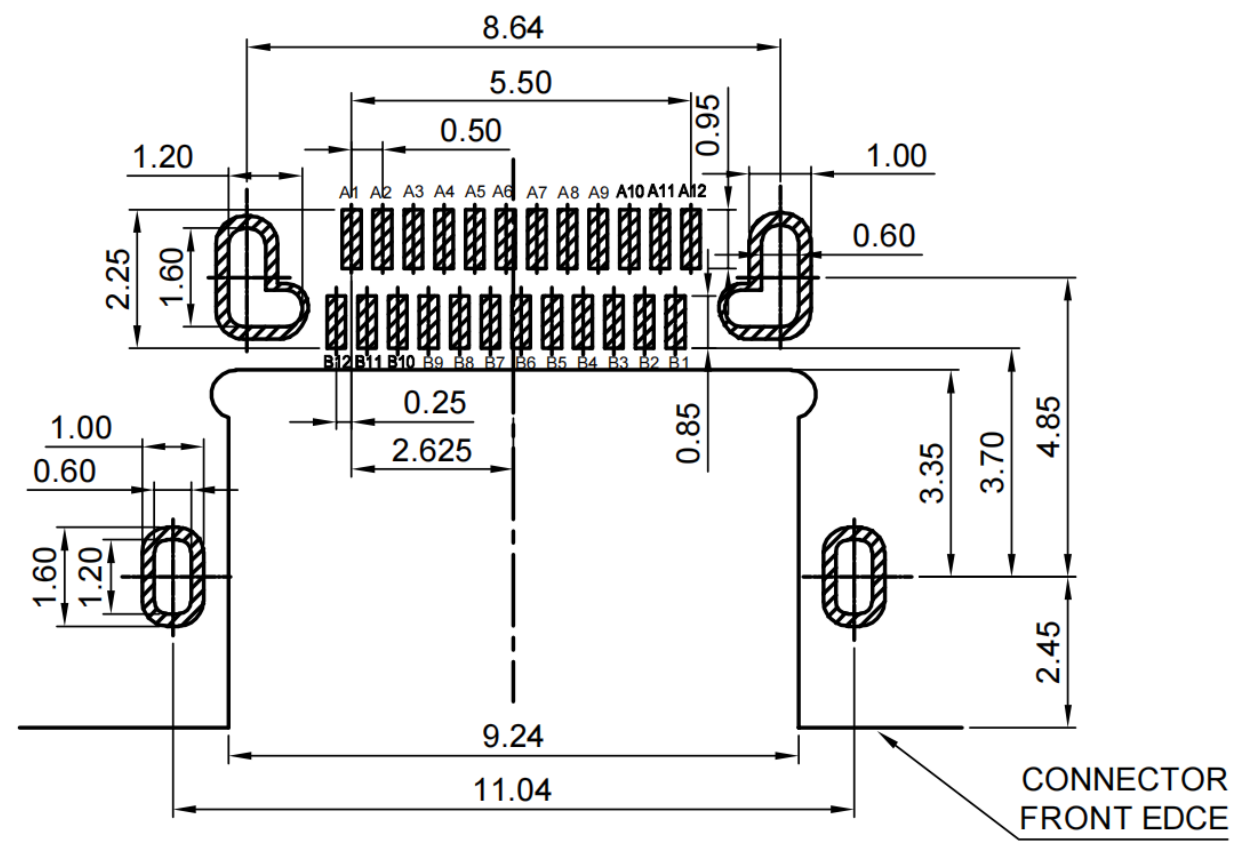
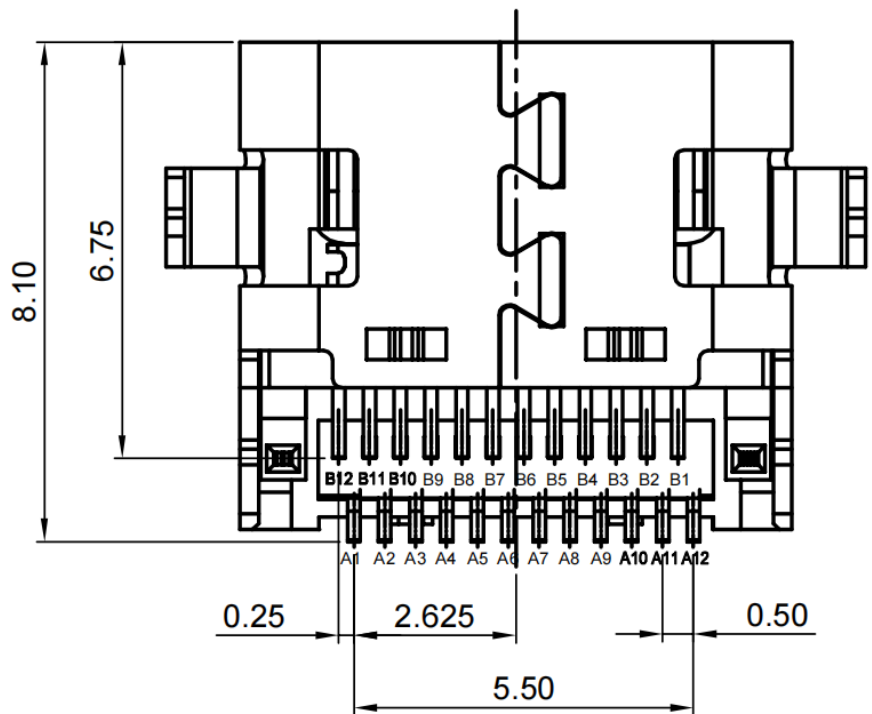


2



- G-Switch USB-C Specification:**
- 1.Current rating:5A on Vbus/1.25A on Vconn/0.25A on other
  - 2.Dielectric Voltage:100V AC/minute
  3. Contact resistance: 40mΩ Max
  4. Insulation resistance: 100MΩ Min
  5. Temperature range: -55 °C ~ 85 °C
  6. Lnsertion force : 5N~20N
  - 7.Unmating force: 8N~20N
  8. Durability:10,000 Cycles
  - 9.Data transmission rate up to 10Gbp/s

3



A1	A2	A3	A4	A5	A6	A7	A8	A9	A10	A11	A12
GND	SSTXp1	SSTXn1	VBUS	CC1	Dp1	Dn1	SBU1	VBUS	SSRXn2	SSRXp2	GND
First	Second	Second	First	Second	Second	Second	Second	First	Second	Second	First

B12	B11	B10	B9	B8	B7	B6	B5	B4	B3	B2	B1
GND	SSRXp1	SSRXn1	VBUS	SBU2	Dn2	Dp2	CC2	VBUS	SSTXn2	SSTXp2	GND
First	Second	Second	First	Second	Second	Second	Second	First	Second	Second	First

4

RECOMMENDED P.C.B. LAYOUT  
TOLERANCE UNSPECIFIED ±0.05mm



SCALE: 4:1	UNIT: mm	Title: Horizontal Type-c 24P Female SMT Sinker 1.6 L=7.9mm			
SIZE: A4		Molde Code: GT-USB-7007C			
Unless otherwise General Tolerance:		DRAWN	CHECKED	APPROVED	DATE
X.	±0.20	Xia	Chen	Chen	2022.11.23
X.x	±0.15				
X.xx	±0.10				
X.xxx	±0.05				
Angles	±3°				



5

1	Cover Shell	SUS304	1	High Temperature Weldable Nickel
2	Mid Plate	SUS301	1	----
3	Insulator(Two Molding)	High Temperature Plastic	1	Lcp Black UL 94 V-0
4	Contact	C18150	1	Au3u"Plating On Contact Area;High Temperature Weldable Ni/Au On Solder Area
5	EMC	SUS304	2	----
NO.	PARTS	MATERIAL	QTY	REMARKS

REV: A0 SHEET: 1/1