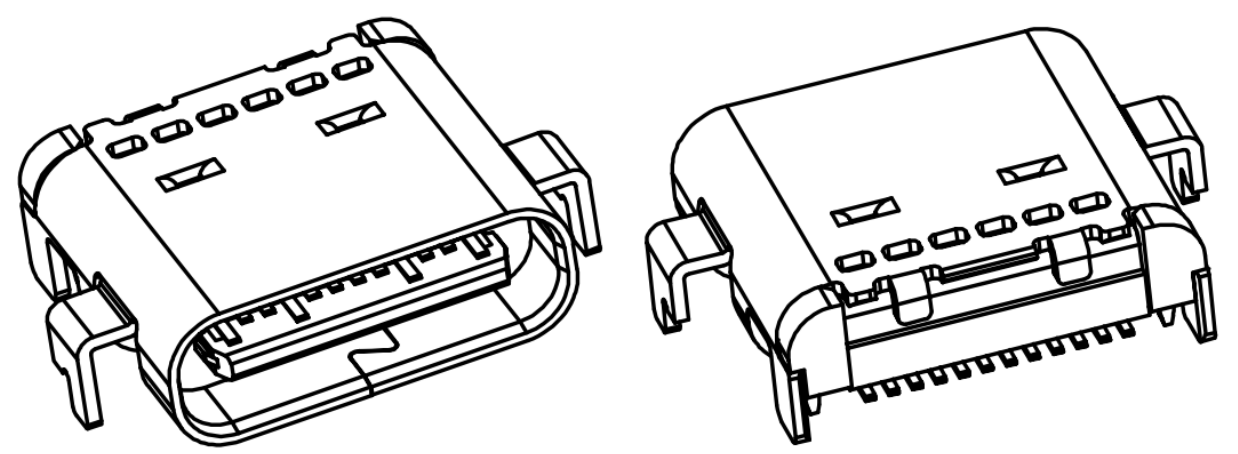
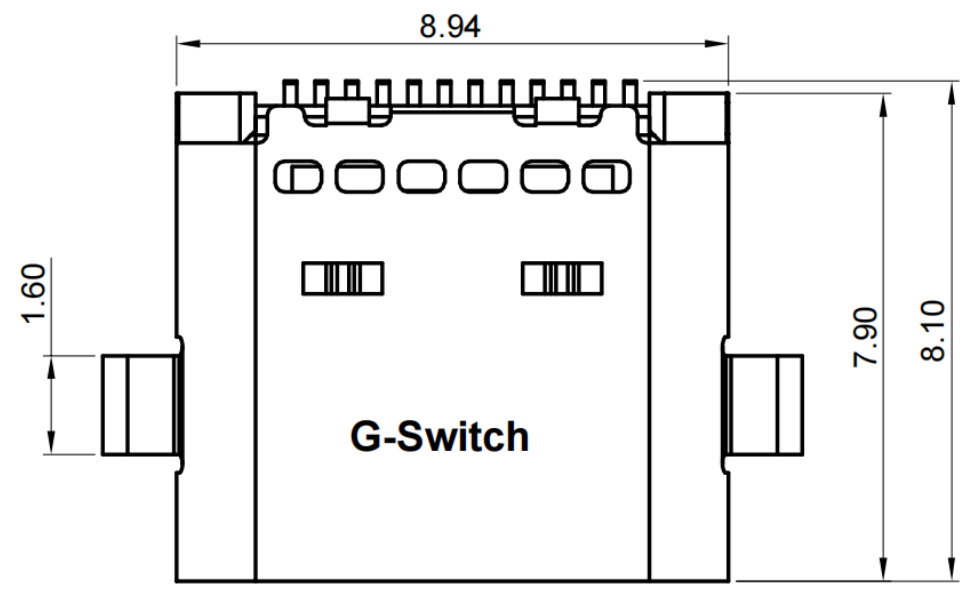
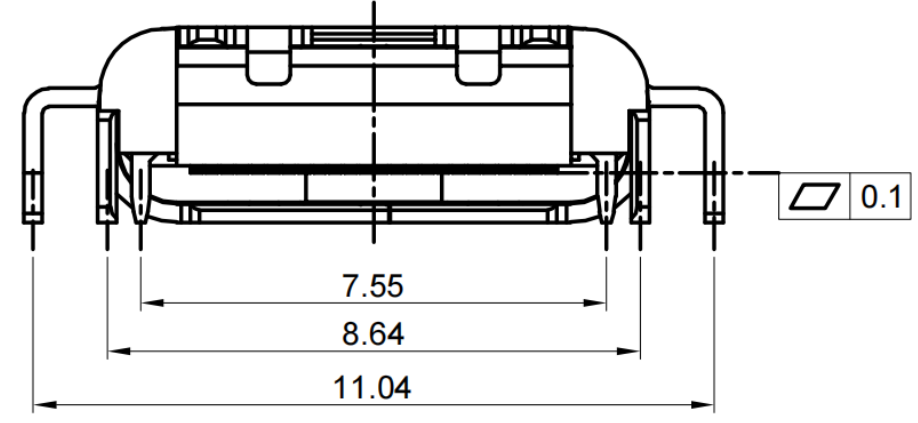
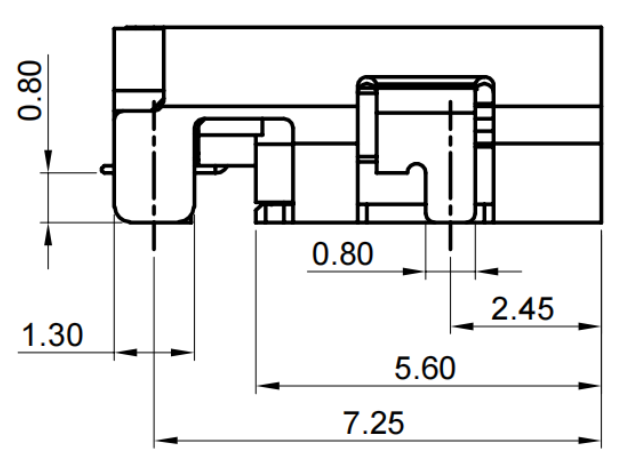
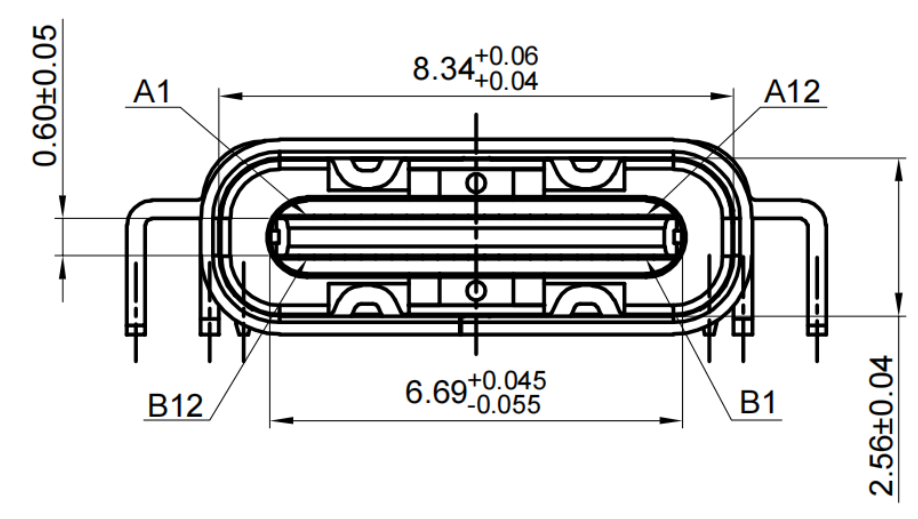


A B C D E

1

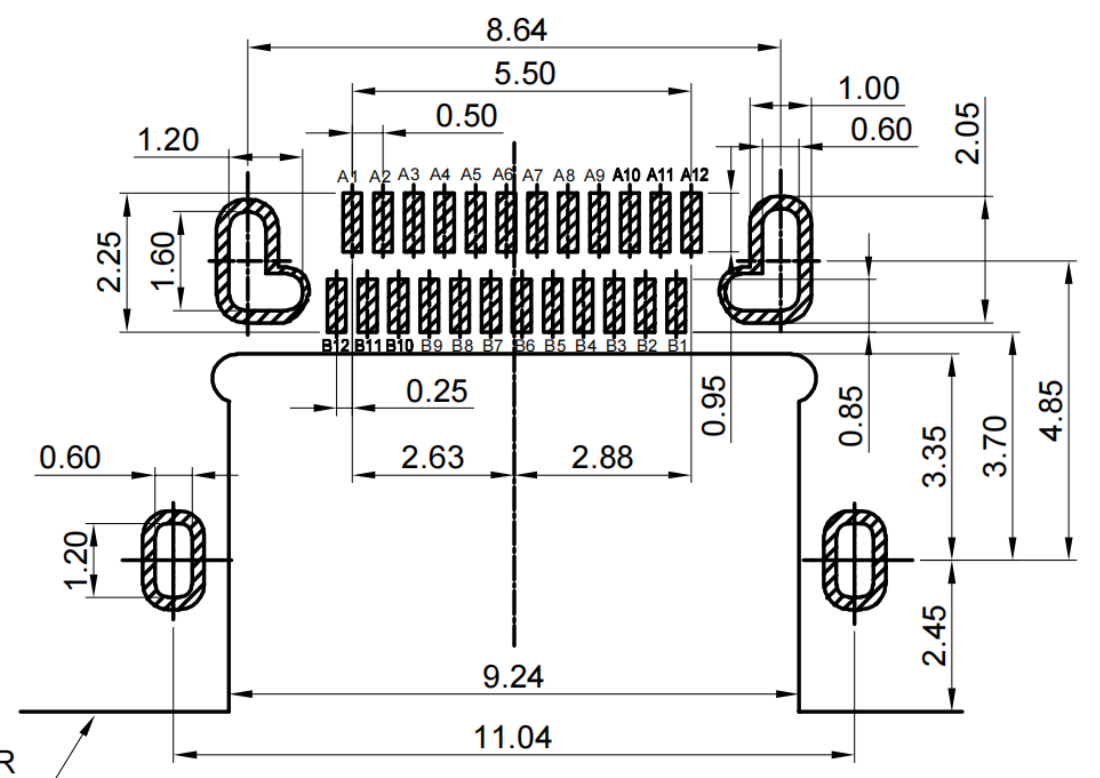
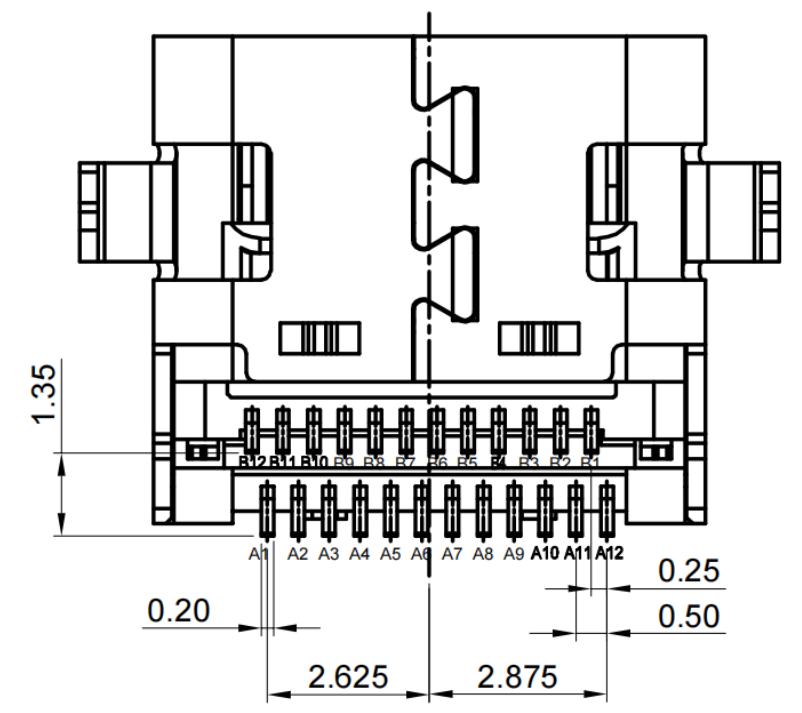


2



- G-Switch USB-C Specification:**
- 1.Current rating:5A on Vbus/1.25A on Vconn/0.25A on other
  - 2.Dielectric Voltage:100V AC/minute
  3. Contact resistance: 40mΩ Max
  4. Insulation resistance: 100MΩ Min
  5. Temperature range: -55 °C ~ 85 °C
  6. Lnsertion force : 5N~20N
  - 7.Unmating force: 8N~20N
  8. Durability:10,000 Cycles
  - 9.Data transmission rate up to 10Gbp/s

3



|       |        |        |       |        |        |        |        |       |        |        |       |
|-------|--------|--------|-------|--------|--------|--------|--------|-------|--------|--------|-------|
| A1    | A2     | A3     | A4    | A5     | A6     | A7     | A8     | A9    | A10    | A11    | A12   |
| GND   | SSTXp1 | SSTXn1 | VBUS  | CC1    | Dp1    | Dn1    | SBU1   | VBUS  | SSRXn2 | SSRXp2 | GND   |
| First | Second | Second | First | Second | Second | Second | Second | First | Second | Second | First |
|       |        |        |       |        |        |        |        |       |        |        |       |
| B12   | B11    | B10    | B9    | B8     | B7     | B6     | B5     | B4    | B3     | B2     | B1    |
| GND   | SSRXp1 | SSRXn1 | VBUS  | SBU2   | Dn2    | Dp2    | CC2    | VBUS  | SSTXn2 | SSTXp2 | GND   |
| First | Second | Second | First | Second | Second | Second | Second | First | Second | Second | First |

4

CONNECTOR FRONT EDGE

RECOMMENDED P.C.B. LAYOUT  
TOLERANCE UNSPECIFIED ±0.05mm

5

|     |                        |                          |     |  |
|-----|------------------------|--------------------------|-----|--|
| 1   | Cover Shell            | SUS304                   | 1   | High Temperature Weldable Nickel   |
| 2   | Mid Plate              | SUS301                   | 1   | ----   |
| 3   | Insulator(Two Molding) | High Temperature Plastic | 1   | Lcp Black UL 94 V-0  |
| 4   | Contact                | C18150                   | 1   | Au 3u"Plating On Contact Area;High Temperature Weldable Ni/Au On Solder Area |
| 5   | EMI                    | SUS304                   | 2   | ----   |
| NO. | PARTS                  | MATERIAL                 | QTY | REMARKS  |



|                                     |          |   |         |          |            |
|-------------------------------------|----------|---|---------|----------|------------|
| SCALE: 4:1                          | UNIT: mm | Title: Horizontal Type-c 24P Female<br>SMT Sinker 0.8 L=7.9mm |         |          |            |
| SIZE: A4                            |          | Molde Code: GT-USB-7007A                                      |         |          |            |
| Unless otherwise General Tolerance: |          | DRAWN   | CHECKED | APPROVED | DATE       |
| X.                                  | ±0.20    | Xia   | Chen    | Chen     | 2022.11.23 |
| X.x                                 | ±0.15    |   |         |          |            |
| X.xx                                | ±0.10    |   |         |          |            |
| X.xxx                               | ±0.05    |   |         |          |            |
| Angles                              | ±3°      |   |         |          |            |



REV: A0 SHEET: 1/1