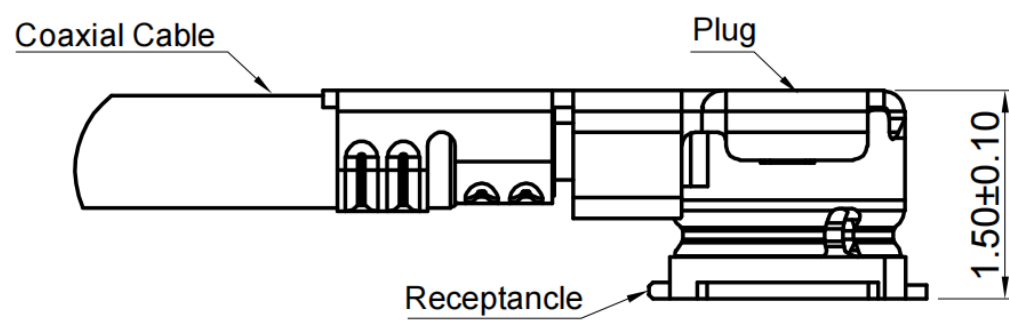
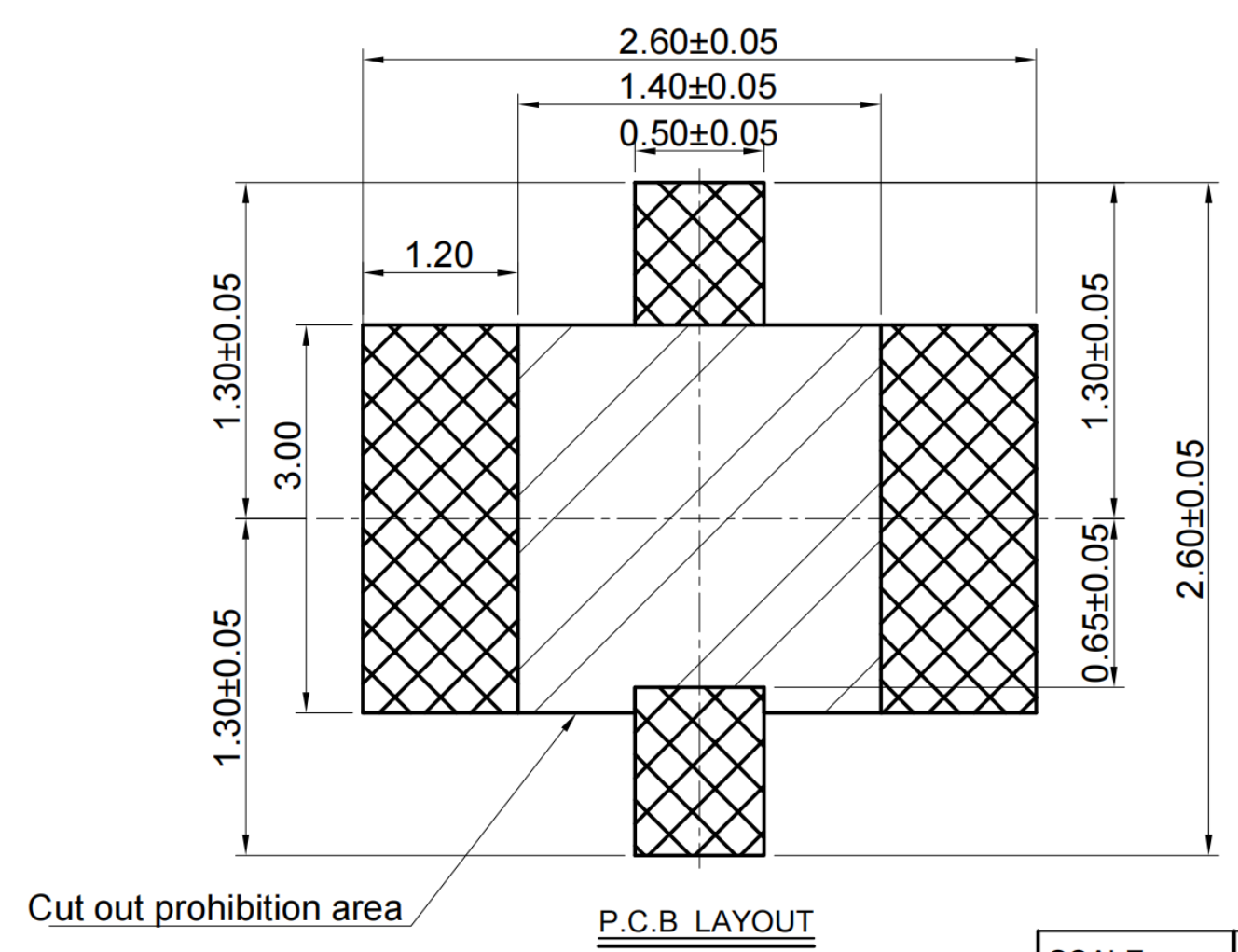
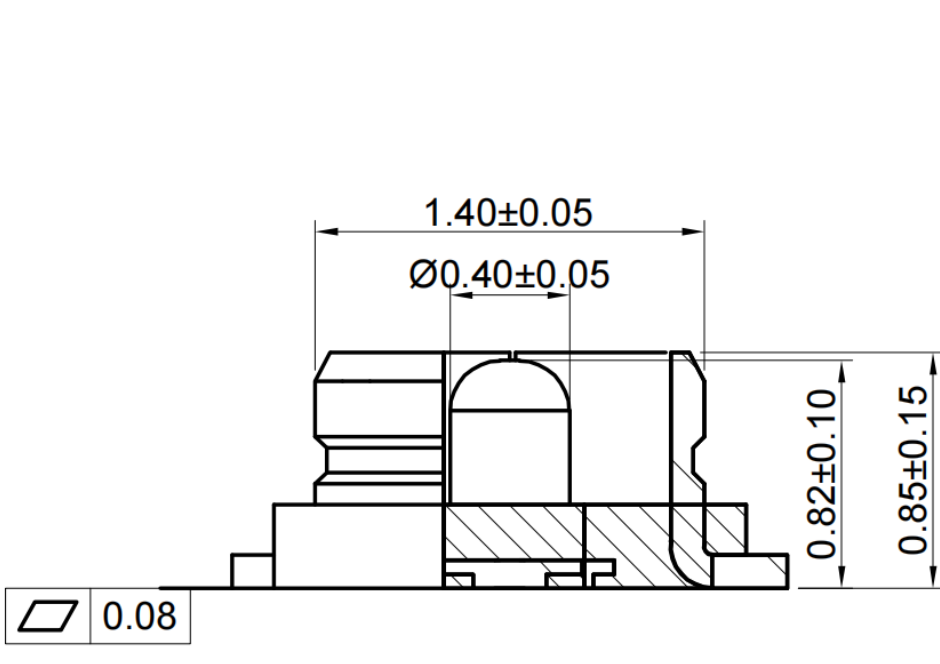
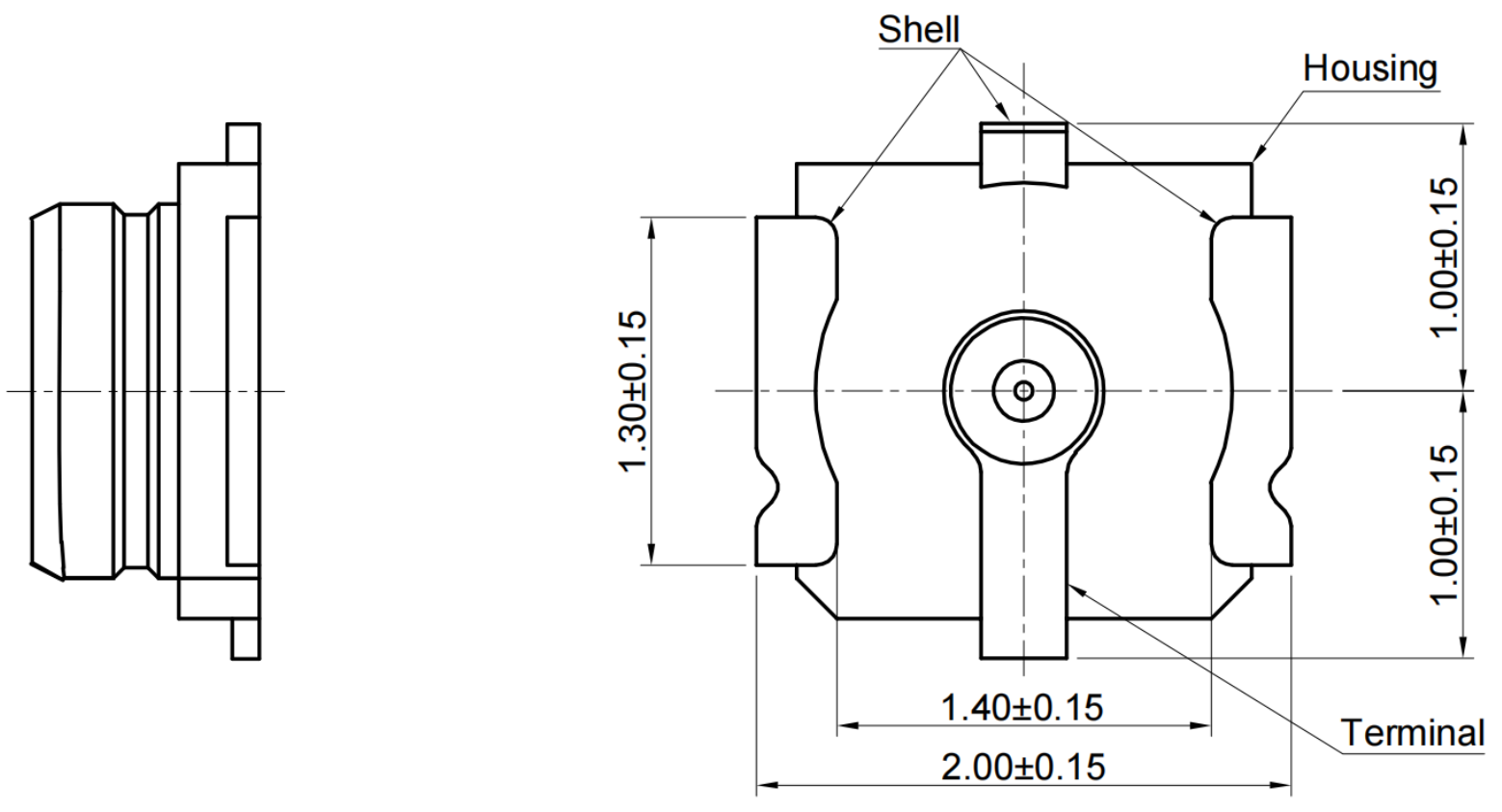
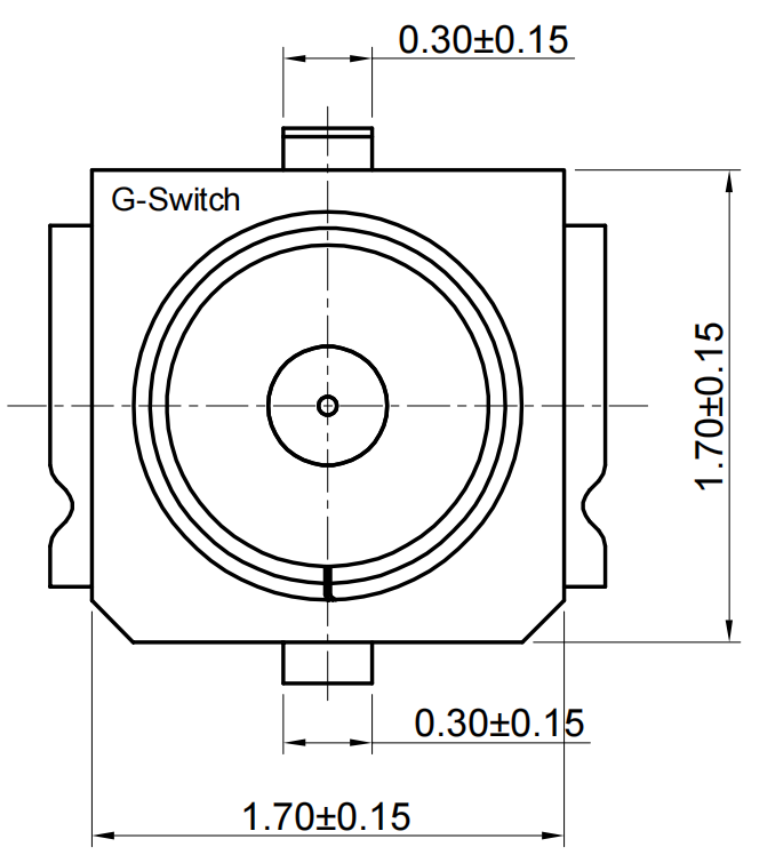
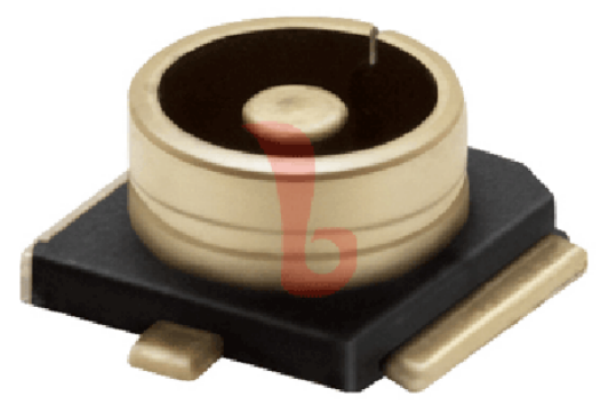


A B C D E

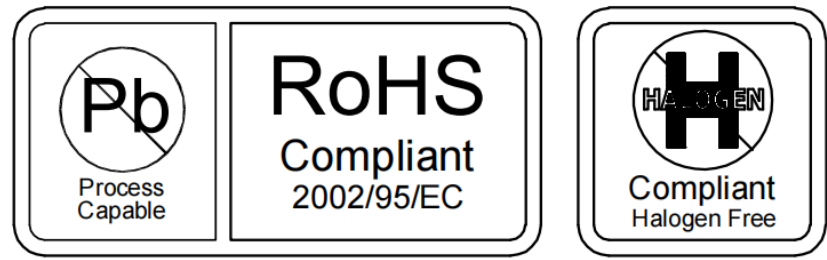


P.C.B LAYOUT SCALE 1:2



- G-Switch RF Specification:**
- Contact Resistance: 20mΩ Max;
 - Dielectric Withstanding Voltage: 100V AC For 1 Minute;
 - Insulation Resistance: 1000MΩ Min;
 - Frequency Range: DC up to 6GHz
Vswr:1.3 Max. at 0~3GHz;
Vswr:1.3 Max. at 0~3GHz;
 - Operating Temperature: -40 to +90 .

Item	Title	Material/Finish
1	Terminal	Copper Alloy/Gold Plated Over Ni
2	Shell	Copper Alloy/Gold Plated Over Ni
3	Housing	High Temp. Platic UL94V-0/Black



SCALE: 9:1	UNIT: mm	Title: RF III Receptacle Conn SMT 1.7×1.7×H0.85mm			
SIZE: A4		Molde Code: GT-RF3085A-01G			
Unless otherwise General Tolerance:		DRAWN	CHECKED	APPROVED	DATE
X.	±0.30	Xia	Chen	Chen	2022.11.30
X.x	±0.20				
X.xx	±0.15				
X.xxx	±0.10				
Angles	±3°				



REV: A0 SHEET: 1/1