

# LUCKI CM ELECTRONICS Co.,Ltd

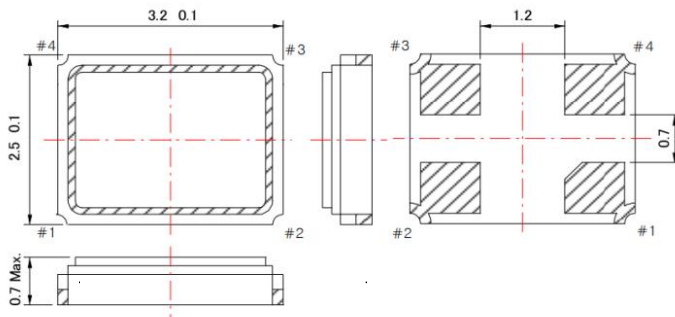


- Features
  - 3.2 x 2.5 x 0.7 MAX. mm of surface mounted quartz crystal units.
  - Excellent reliability characteristics such as heat and mechanical shock.
  - Pb-free and satisfy Ro Hs requirements.
  - Reflow soldering is available.
  
- Applications
  - Digital Electronics, Consumer Products, Mobile Communications, Bluetooth, Wireless LAN and Automotive

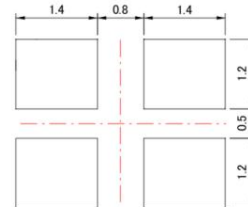
## ■ Specifications

|   |  |
|---|--|
| LK P/N  | L327S320L11L   |
| Nominal Frequency                                   | 32.000 MHz   |
| Oscillation Mode                                    | <input checked="" type="checkbox"/> Fundamental <input type="checkbox"/> 3rd |
| Frequency tolerance at 25°C                         | ±10 ppm  |
| Operating temperature range and frequency stability | -40°C~+85°C/±20ppm   |
| Equivalent series resistance                        | 20 Ω   |
| Shunt capacitance                                   | 2 pF Max or specify  |
| Load capacitance                                    | 12 pF  |
| Drive level (Max.)                                  | 10, 100, 300 μW or specify   |
| Insulation resistance                               | 500MΩ Min. at DC 100V  |
| Aging at 25°C                                       | ± 2 ppm / year Max   |
| Storage temperature range                           | -40 ~ +125 °C  |
| Measure instrument                                  | S&A 250B system with PI circuit  |
| Others  |  |

## ■ Dimensions (unit: mm)



## ■ Land pattern (unit: mm)



| Pin | Function               |
|-----|------------------------|
| #1  | Xtal Terminal (Input)  |
| #2  | GND                    |
| #3  | Xtal Terminal (Output) |
| #4  | GND                    |