

LUCKI CM ELECTRONICS Co.,Ltd



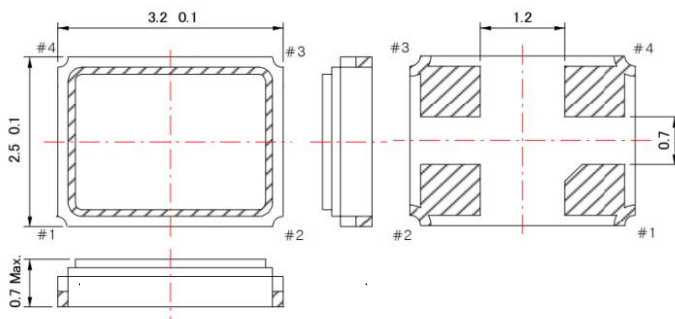
- Features
 - 3.2 x 2.5 x 0.7 MAX. mm of surface mounted quartz crystal units.
 - Excellent reliability characteristics such as heat and mechanical shock.
 - Pb-free and satisfy Ro Hs requirements.
 - Reflow soldering is available.

- Applications
 - Digital Electronics, Consumer Products, Mobile Communications, Bluetooth, Wireless LAN and Automotive

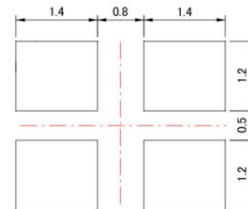
■ Specifications

| | |
|-----------------------------------------------------|------------------------------------------------------------------------------|
| LK P/N | L327S160S11L |
| Nominal Frequency | 16.000 MHz |
| Oscillation Mode | <input checked="" type="checkbox"/> Fundamental <input type="checkbox"/> 3rd |
| Frequency tolerance at 25°C | ±10 ppm |
| Operating temperature range and frequency stability | -40°C~+85°C/±20ppm |
| Equivalent series resistance | 40 Ω |
| Shunt capacitance | 2 pF Max or specify |
| Load capacitance | 18 pF |
| Drive level (Max.) | 10, 100, 300 μW or specify |
| Insulation resistance | 500MΩ Min. at DC 100V |
| Aging at 25°C | ± 2 ppm / year Max |
| Storage temperature range | -40 ~ +125 °C |
| Measure instrument | S&A 250B system with PI circuit |
| Others | |

■ Dimensions (unit: mm)



■ Land pattern (unit: mm)



| Pin | Function |
|-----|------------------------|
| #1 | Xtal Terminal (Input) |
| #2 | GND |
| #3 | Xtal Terminal (Output) |
| #4 | GND |