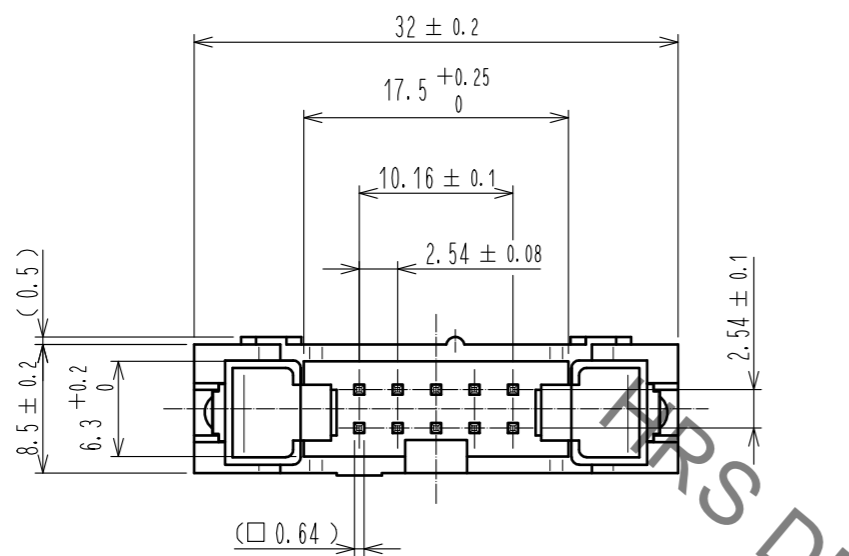
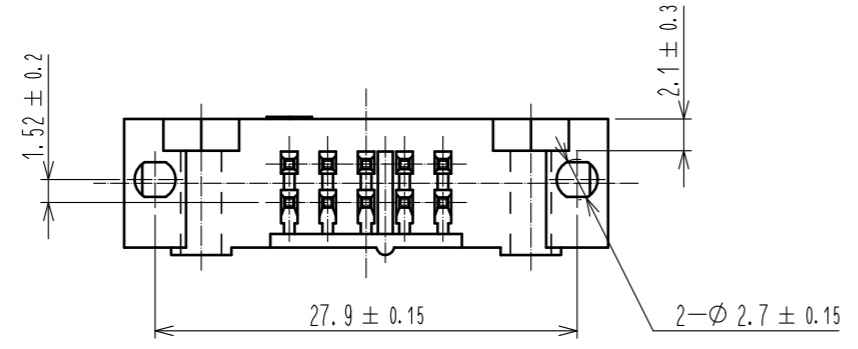
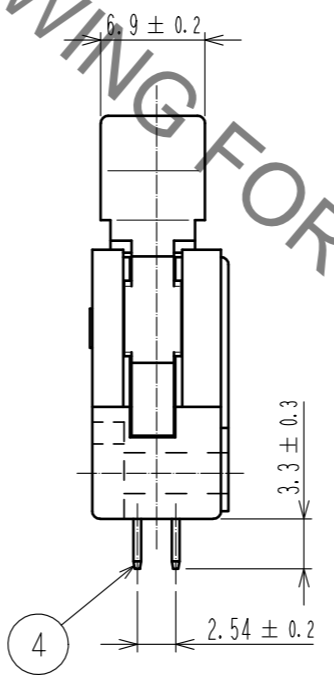
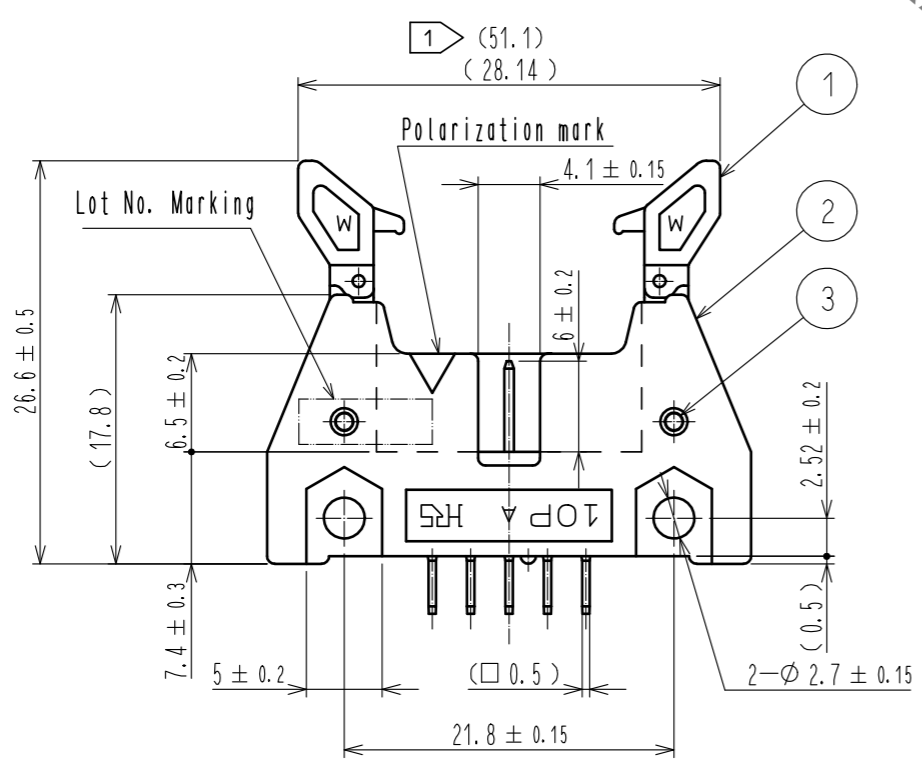
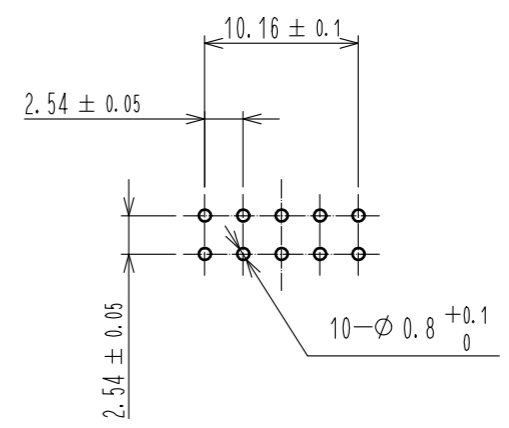


Dec.1.2022 Copyright 2022 HIROSE ELECTRIC CO., LTD. All Rights Reserved.
 In case of consideration for using Automotive equipment / device which demand high reliability, kindly contact our sales window correspondents.



Recommended PC board hole pattern



- Notes
- 1 The upper row dimension shows when the lock open out.
 - 2 The dimensions in parentheses are for reference.
 - 3 UL(File No.E52653)
C-UL(File No.E52653) authorization article.



3	STAINLESS			4	BRASS	Contact area : Gold 0.15μm min
2	PBT	BLACK	UL94V-0			Dip area : TIN-Plating 2μm min
1	PBT	BLACK	UL94V-0			Under plating : Nickel 2.5μm min
NO.	MATERIAL	FINISH	REMARKS	NO.	MATERIAL	FINISH . REMARKS
UNITS	mm	SCALE	2 : 1	COUNT	1	DESCRIPTION OF REVISIONS
						DESIGNED : AK. IWAHORI
						CHECKED : HT. YAMAGUCHI
						DATE : 20200306
APPROVED : HT. YAMAGUCHI		20181210		DRAWING NO. EDC-361206-63-00		
CHECKED : HT. YAMAGUCHI		20181210		PART NO. HIF3MDW-10PA-2.54DSA(63)		
DESIGNED : HR. NAGAYASU		20181207		CODE NO. CL610-3601-3-63		
DRAWN : TS. HORI		20181207				