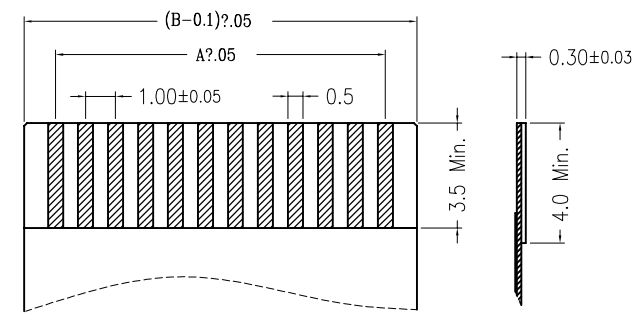
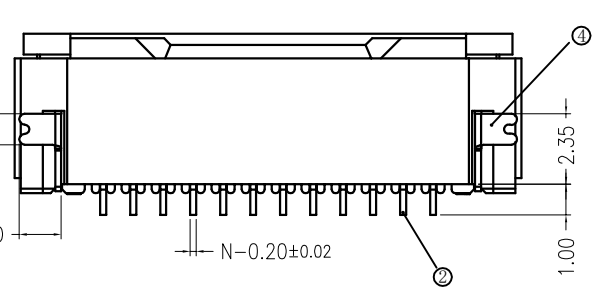
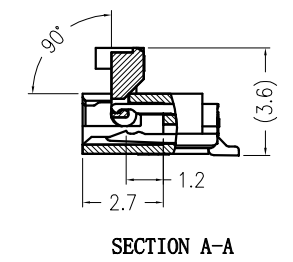
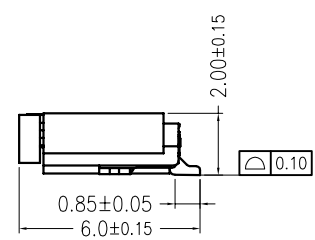
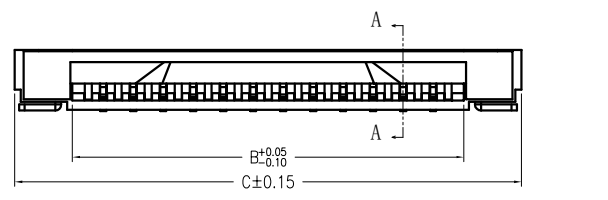
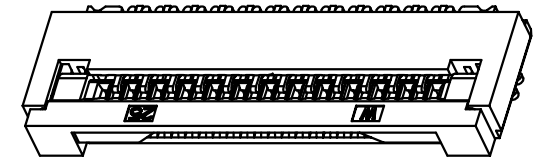
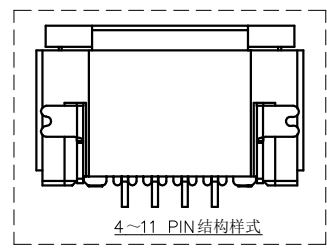
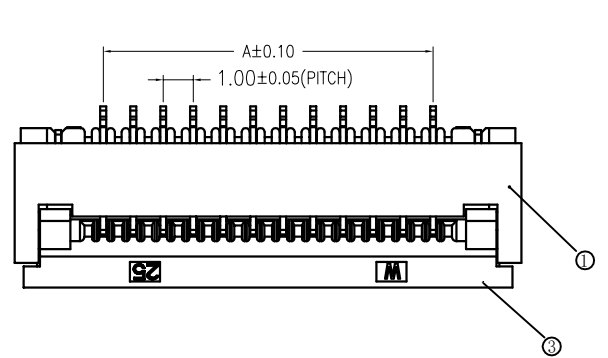


修 订 REV NO	标 记 MARK	修 改 描 要 REVISION DESCRIPTION	签 名 SIGNATURE	日 期 DATE
		NEW DWG		2016-03-12

序号 (NO.)	品名 (Name)	材质 (Material)
①	0.5掀盖胶芯(H=2.0) 0.5 Pitch Easy-on Type Housing (H=2.0)	LCP UL94V-0 本色 Natural
②	0.5掀盖端子(H=2.0) 0.5 Pitch Easy-on Type Terminal (H=2.0)	磷青铜/表面镀锡 Phosphor Bronze/ Tin Plating
③	0.5掀盖后盖(H=2.0) 0.5 Pitch Easy-on Type Actuator (H=2.0)	LCP UL94V-0 黑色 Black
④	0.5掀盖焊片(H=2.0) 0.5 Pitch Easy-on Type Fitting Nail (H=2.0)	磷青铜/表面镀锡 Phosphor Bronze/ Tin Plating

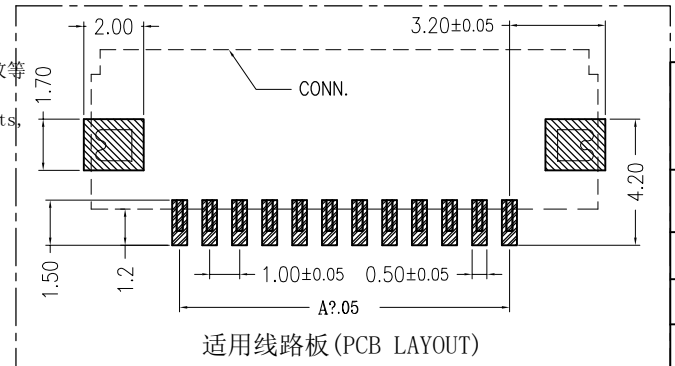
CKT	A	B	C
4	3.00	5.06	8.90
5	4.00	6.06	9.90
6	5.00	7.06	10.90
7	6.00	8.06	11.90
8	7.00	9.06	12.90
9	8.00	10.06	13.90
10	9.00	11.06	14.90
11	10.00	12.06	15.90
12	11.00	13.06	16.90
13	12.00	14.06	17.90
14	13.00	15.06	18.90
15	14.00	16.06	19.90
16	15.00	17.06	20.90
17	16.00	18.06	21.90
18	17.00	19.06	22.90
19	18.00	20.06	23.90
20	19.00	21.06	24.90
21	20.00	22.06	25.90
22	21.00	23.06	26.90
23	22.00	24.06	27.90
24	23.00	25.06	28.90
25	24.00	26.06	29.90
26	25.00	27.06	30.90
27	26.00	28.06	31.90
28	27.00	29.06	32.90
29	28.00	30.06	33.90
30	29.00	31.06	34.90
32	31.00	33.06	36.90




适用扁平线(Applicable Flat Cable)

技术指标(Technical Index):



1. 塑件表面应光洁、无毛边、无明显收缩、缺陷、裂纹等现象。(The surface of the plastic parts should be smooth, no rough edges, no obvious shrinkage, defects, cracks and other phenomena.)
2. 温度范围(Temperature range): -25° C~85° C.
3. 额定电压(Rated voltage): 50V, AC/DC(=等效).
4. 接触电阻(Contact resistance): ≤0.03Ω.
5. 绝缘电阻(Insulation resistance): ≥500MΩ.
6. 产品料号(Product material No.):



适用线路板(PCB LAYOUT)



深圳市华德共创科技有限公司
Shenzhen Huade co-create Technology Co., LTD
电话: 0755-23304126 传真: 0755-29940187

-TOLERANCES- UNLESS OTHERWISE SPECIFIED 公差参数表		 	TITLE: 产品名称: 1.0间距2.0高掀盖式					
X.X	±0.30	X.X*	±3°	APPD: 核准:	PART NO: 产品编号: 1.0K-DHGX-nPWB			
X.XX	±0.20	X.XX*	±2°	CHECK: 校对: 王建业	DATE	SCALE	UNIT	CODE NUMBER
X.XXX	±0.10	X.XXX*	±1°	DRAW: 绘图: 黄艳兰	2016-03-12	1:1	mm	A001