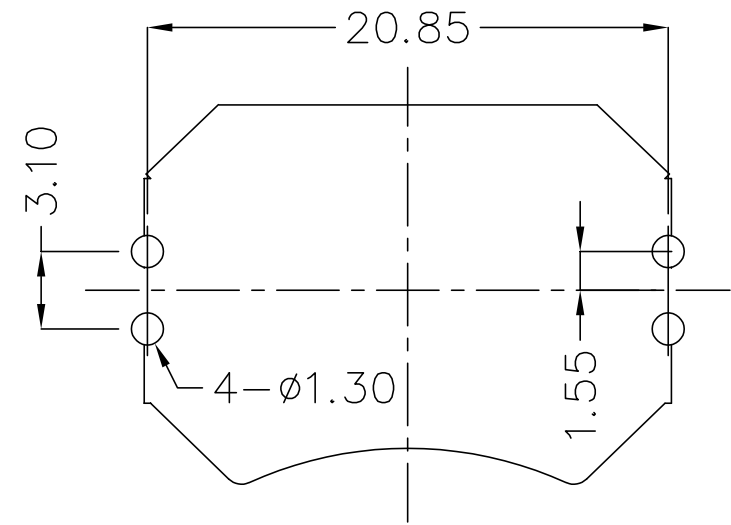
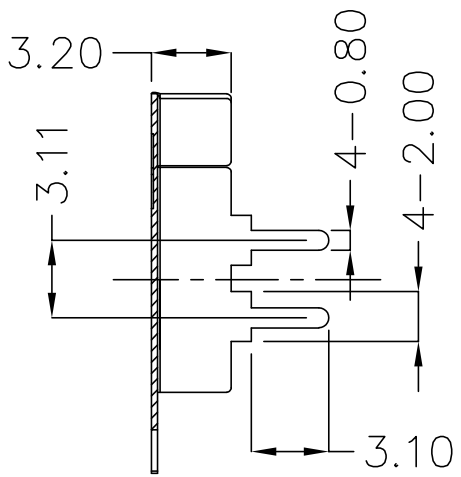
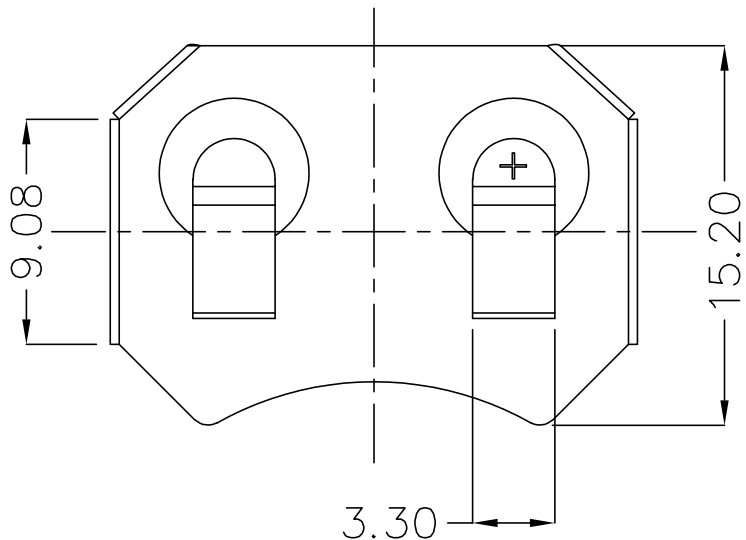
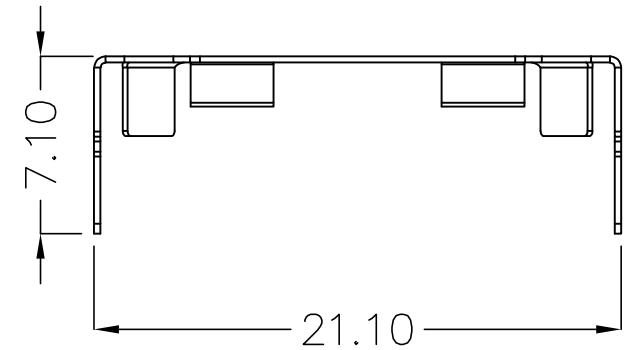
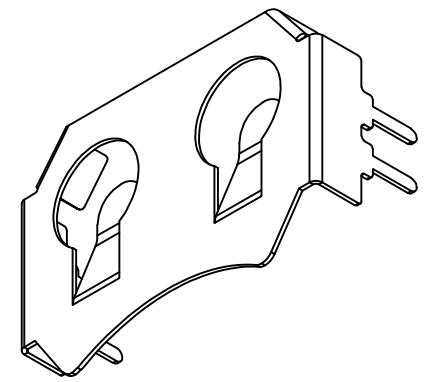




REV.	ECN NO.	REVISED	DATE



PCB Layout Diagram
Top View



工程部
2020-10-15
H. WANG

UNLESS OTHERWISE SPECIFIED TOLERANCES		MYOUNG 美用 www.meiyangdz.com			
DECIMALS: X.X :±0.30 X.XX :±0.25 X.XXX :±0.10	ANGLES: X :±1° X.X :±0.5°	DSND	YangFeng	DATE	2020-10-15
WEIGHT:		CHKD	ZhouRuicai	DATE	2020-10-15
SHEET 1 OF 1		APVD	XueShunyong	DATE	2020-10-15
		SCALE:	SIZE: A4	VIEW:	⊕ ⊖
		UNIT: mm	REV.: A/0	OBJECT: MY	
		TITLE:		电池扣CR2032-P DIP 直插4PIN	
		PART NO.:		MY-2032-31	
		DRAW NO.:MY-CP-0225			

1	TERMINAL(+)	1	PHOSPHOR BRONZE, T=0.25mm	Ni-Plating
NO.	PART NAME	Q'TY	MATERIAL	PLATING & COLOR