



REV.	ECN NO.	REVISED	DATE

NOTE:

1.MATERIAL:

- a.HOUSING:PPA
- b.CONTACT:BERYLLIUM BRONZE
(SURFACE PLATING: Au1u")

SEE ORDERING INFORMATION

2.ELECTRIC:

- a.CONTACT RESISTANCE: 30 MILLIOHMS MAX
- b.INSULATION RESISTANCE: 100 MEGA OHMS MIN
- c.DIELECTNIC VOLTAGE: 500V AC ONE SEC LEVEL
- d.OPERATING TEMPERATURE: -25° C~ +85° C

ORDERING INFORMATION

BS-08-B2AA032

电池座系列

BS-08系列

SMT 180° TYPE

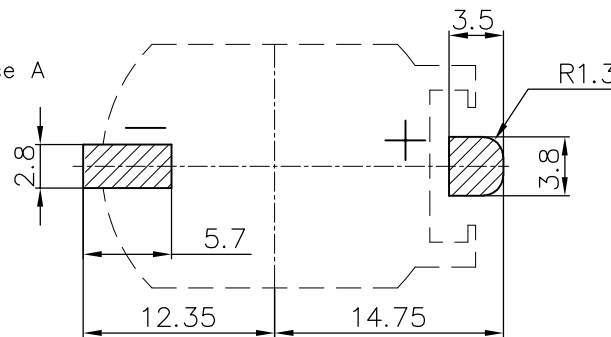
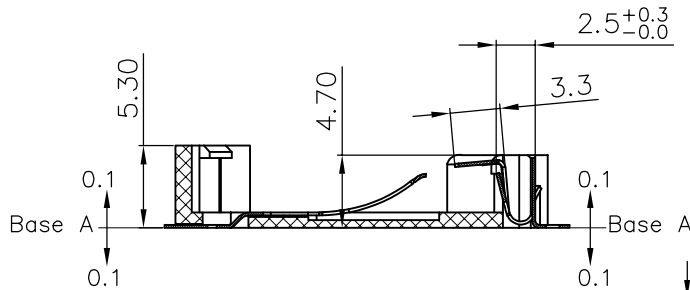
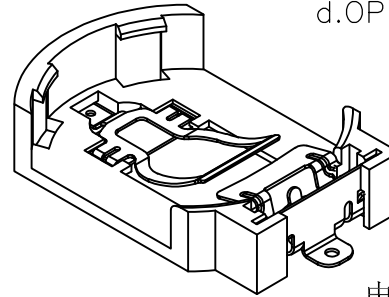
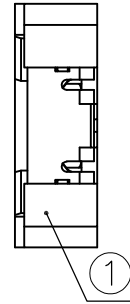
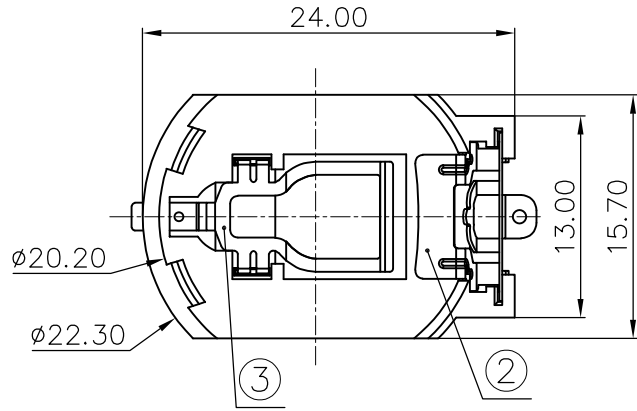
PLATING:
A-Au1U"
J-Ni100U"~120U"
K-Sn100U"~120U"

MATERIAL:
1A-PBT BLACK
1B-PA66 BLACK
2A-PPA BROWN
2B-PPA BLACK
3A-PPS BROWN
3B-PPS BLACK
4A-LCP WHITE
4B-LCP BLACK

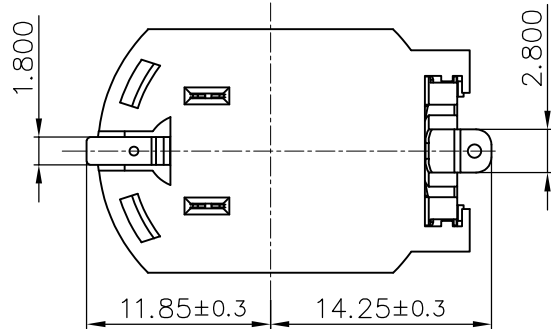
工程部

2021-06-01

LQ. HUANG

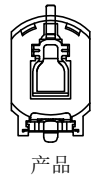


PCB Layout Diagram
Top View

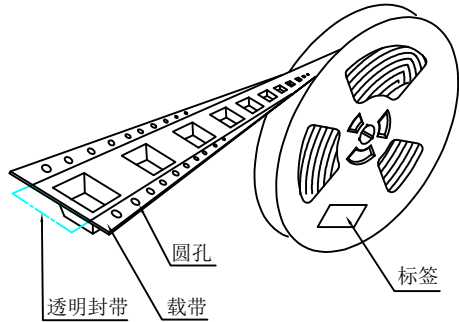


NO.	PART NAME	Q'TY	MATERIAL	PLATING & COLOR
3	TERMINAL(-)	1	BERYLLIUM BRONZE, T=0.20mm	Gold Plating and Ni Under-Plating
2	TERMINAL(+)	1	BERYLLIUM BRONZE, T=0.20mm	Gold Plating and Ni Under-Plating
1	HOUSING	1	PPA	BROWN

UNLESS OTHERWISE SPECIFIED TOLERANCES		MYOUNG 美用 www.meiyangdz.com	
DECIMALS: X :±0.30 X.X :±0.25 X.XX :±0.20 X.XXX :±0.10	ANGLES: X :±1' X.X :±0.5'	DSND YangFeng	DATE 2021-06-01
WEIGHT:		CHKD ZhouRuicai	DATE 2021-06-01
SHEET 1 OF 1		APVD XueShunyong	DATE 2021-06-01
TITLE:		SCALE:	VIEW:
PART NO.:		SIZE: A4	REV.: A/0
DRAW NO.:MY-CP-0184		UNIT: mm	OBJECT: MY



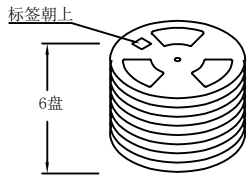
产品



透明封带 载带

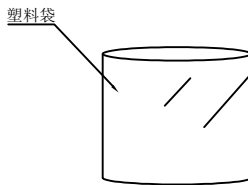
圆孔

标签

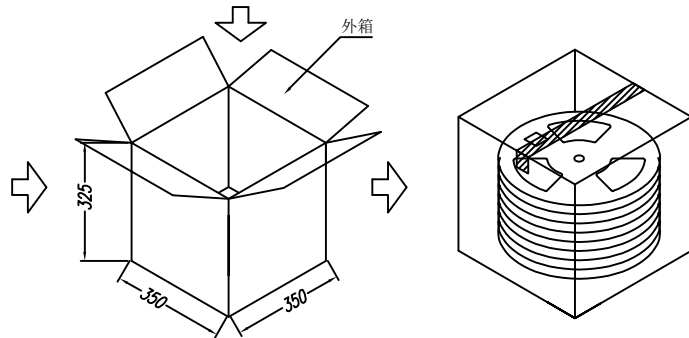


标签朝上

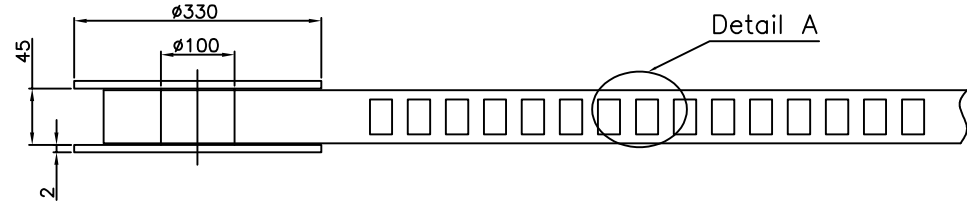
6盘



塑料袋

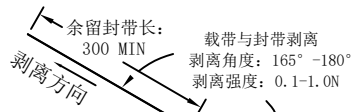


外箱



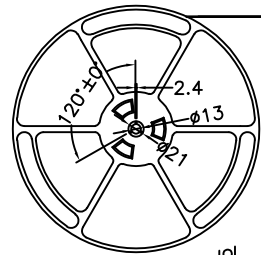
Detail A

出料方向



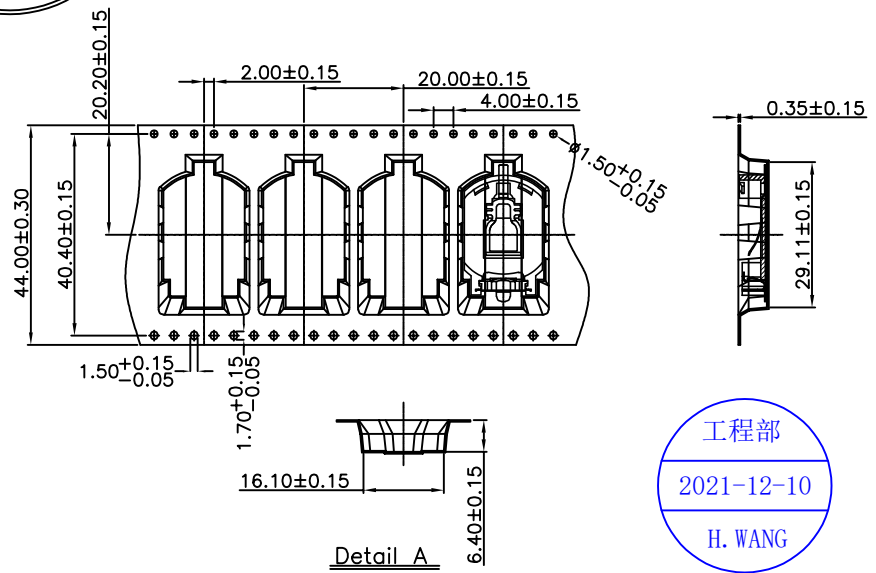
剥离方向

余留封带长: 300 MIN
载带与封带剥离
剥离角度: 165° -180°
剥离强度: 0.1-1.0N



10空穴 末端留空穴载带

15空穴 前端留空穴载带



Detail A



技术要求:

1. 圆孔十个孔距离累计允许公差为±0.2mm
2. 带长250mm内容许弯曲度1mm
3. 材料厚度以在载带边缘测量为准
4. 所有尺寸定义依循EIA-481-C系准则定义之
5. 材料: 黑色PS T=0.35mm
6. 所有卷轮为灰蓝挖空旋转塑胶卷轮
7. 整模成型长度: 10.5M,
8. 非指明公差范围为: ±0.1mm; 超过250mm不计算累计误差
9. 型腔外形凡未标明处倒角R为0.2-0.3; 拔模斜度未标注的为3° 以下

包装信息:

- 1、每卷盘装产品 500 只, 卷盘外侧贴相关标签;
- 2、每 6 卷盘放在一个塑料袋中;
- 3、每外箱装6盘, 产品总数: 3000 只;
- 4、外箱上下用胶纸封成“工”字;
- 5、净重: 3.5 KG, 毛重: 6.5 KG.

UNLESS OTHERWISE SPECIFIED TOLERANCES		MYOUNG 美阳 www.meiyangdz.com			
DECIMALS: X : ±*** X.X : ±*** X.XX : ±*** X.XXX : ±***	ANGLES: X : ±*** X.X : ±***	DSND YangFeng	DATE 2021-12-10	TITLE:	
		CHKD ZhouRuicai	DATE 2021-12-10	BS-2032-8C SMT 卷装	
		APVD XueShunyong	DATE 2021-12-10	PART NO.:	
WEIGHT:		SCALE: 3:1	SIZE: A4	VIEW:	BS-08-B***00*-R
SHEET 1 OF 1		UNIT: mm	REV.: A/0	OBJECT: MY	DRAW NO.:MY-BD-0036