



REV.	ECN NO.	REVISED	DATE

NOTE:

- MATERIAL:
 - a. HOUSING: PP BLACK
 - b. SPRING: MUSIC WIRE (SURFACE PLATING: Ni100u"~120u")
- ELECTRIC:
 - a. DIELECTRIC VOLTAGE: 270V AC ONE SEC LEVEL
 - b. OPERATING TEMPERATURE: -10°C ~ +100°C

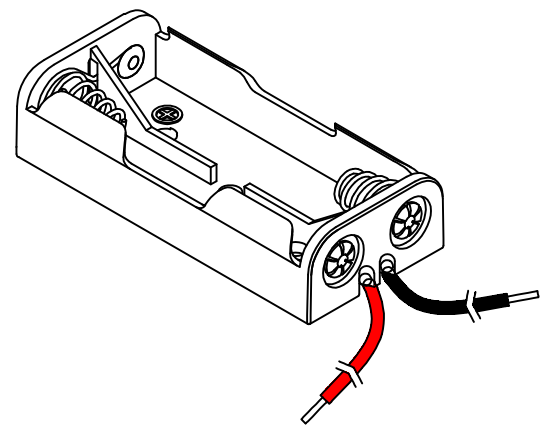
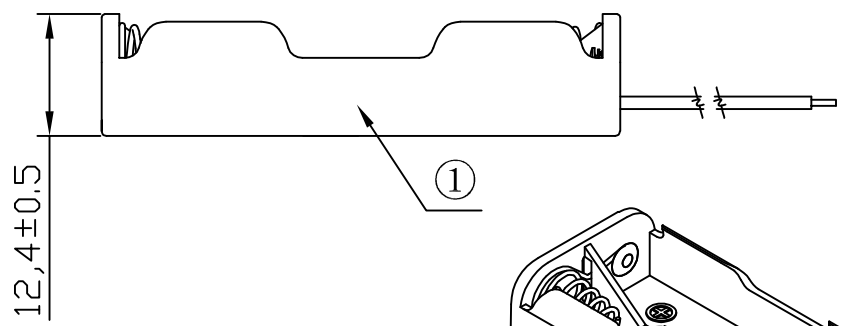
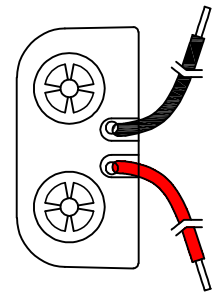
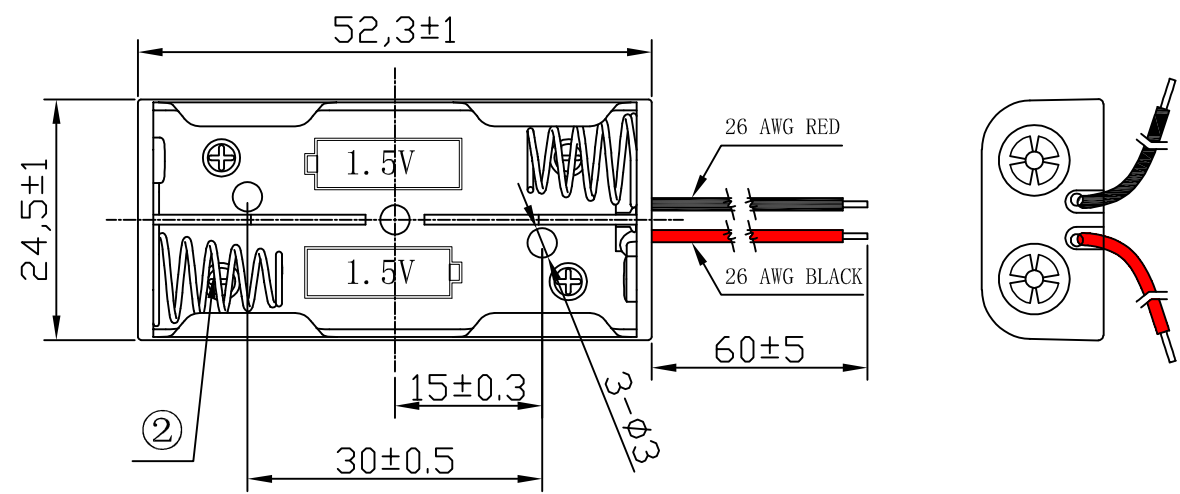
SEE ORDERING INFORMATION

ORDERING INFORMATION
BH-AA-B1AJ015-60

电池盒 ———— 电池型号 ———— DIP 90° TYPE ————

——— 线长 (MM) ———
 PLATING:
 A-Au1U"
 J-Ni100U"~120U"
 K-Sn100U"~120U"

MATERIAL:
 1A-PP BLACK
 1B-PA66 BLACK
 2A-PPA BROWN
 2B-PPA BLACK
 3A-PPS BROWN
 3B-PPS BLACK
 4A-LCP WHITE
 4B-LCP BLACK
 5A-PP BLACK
 5B-ABS BLACK



UNLESS OTHERWISE SPECIFIED TOLERANCES		MYOUNG 美用 www.meiyangdz.com			
DECIMALS: X :±0.30 X.X :±0.25 X.XX :±0.20 X.XXX :±0.10	ANGLES: X :±1° X.X :±0.5°	DSND	YangFeng	DATE	2022-11-15
WEIGHT:		CHKD	ZhouRuicai	DATE	2022-11-15
SHEET 1 OF 1		APVD	XueShunyong	DATE	2022-11-15
SCALE:		SIZE:	A4	VIEW:	⊕ ⊖
UNIT: mm		REV.:	A/0	OBJECT:	MY
TITLE:		电池盒BH-AAA-2J (26#线长60mm)			
PART NO.:		BH-AAA-B1AJ015-60			
DRAW NO.:		WD-CP-0129			

2	SPRING	2	MUSIC WIRE	Ni-Plating
1	HOUSING	1	PP	BLACK
NO.	PART NAME	Q'TY	MATERIAL	PLATING & COLOR