



REV.	ECN NO.	REVISED	DATE

NOTE:

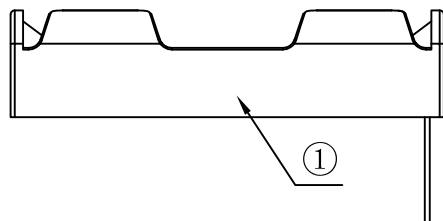
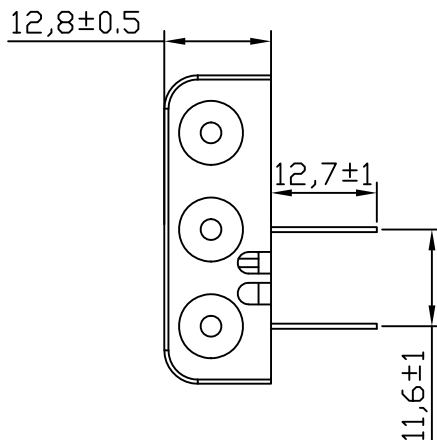
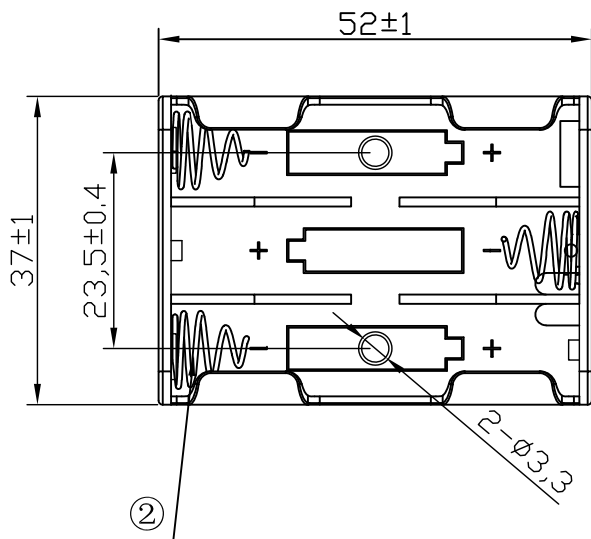
1.MATERIAL:

- a.HOUSING:PP BLACK
- b.SPRING:MUSIC WIRE
(SURFACE PLATING: NI100u"~120u")

SEE ORDERING INFORMATION

2.ELECTRIC:

- a.DIELECTRIC VOLTAGE: 270V AC ONE SEC LEVEL
- b.OPERATING TEMPERATURE: -10° C~ +100° C



ORDERING INFORMATION

BH-AAA-A1AJ024

电池盒

电池型号

DIP 90° TYPE

PLATING:
A-Au1U"
J-Ni100U"~120U"
K-Sn100U"~120U"

MATERIAL:
1A-PP BLACK
1B-PA66 BLACK
2A-PPA BROWN
2B-PPA BLACK
3A-PPS BROWN
3B-PPS BLACK
4A-LCP WHITE
4B-LCP BLACK

工程部
2022-04-30
H. WANG

UNLESS OTHERWISE SPECIFIED TOLERANCES		MYOUNG 美阳 www.meiyangdz.com			
DECIMALS: X :±0.30 X.X :±0.25 X.XX :±0.20 X.XXX :±0.10	ANGLES: X :±1° X.X :±0.5°	DSND	YangFeng	DATE	2022-04-30
WEIGHT:		CHKD	ZhouRuicai	DATE	2022-04-30
SHEET 1 OF 1		APVD	XueShunyong	DATE	2022-04-30
NO. PART NAME Q'TY MATERIAL PLATING & COLOR		SCALE:	SIZE: A4	VIEW:	⊕ ⊖
		UNIT: mm	REV.: A/1	OBJECT: MY	DRAW NO.:WD-CP-0209

2	SPRING	3	MUSIC WIRE	NI-Plating
1	HOUSING	1	PP	BLACK
NO.	PART NAME	Q'TY	MATERIAL	PLATING & COLOR

TITLE: 电池盒BH-AAA-3J 新
单边两PIN直插

PART NO.: BH-AAA-A1AJ024